

# "High Frequency Ceramic Solutions"

Preliminary

## 2.45 / 5.5GHz WLAN Ceramic Diplexer (BPF/BPF type)

P/N 2450DP39H5500

Detail Specification: 8/2/2012

Page 1 of 3

### General Specifications

<b>Part Number</b>		2450DP39G5500		
<b>Operating Temperature Range</b>		-40 ~ +85 °C		
Frequency	Insertion Loss	Passband VSWR	Return Loss (min)	Attenuation (db)
2400~2500	2.5 max.	2.0 max.	-9.54	30 min. @ 824~915MHz
				30 min. @ 1545~1605MHz
				30 min. @ 1710~1910MHz
				22 min. @ 2170MHz
				35 min. @ 4800~5000MHz
5150~5850	1.0 max.	2.0 max.	-9.54	25 min. @ 2400~2500MHz
				20 min. @ 10300~11700MHz



<b>Recommended Storage Conditions*</b>	+5 to +35 °C, Humidity 45~75%RH
<b>Reel Quantity</b>	3,000
<b>Storage Period</b>	18 months max.
<b>Power Capacity</b>	500mW max.

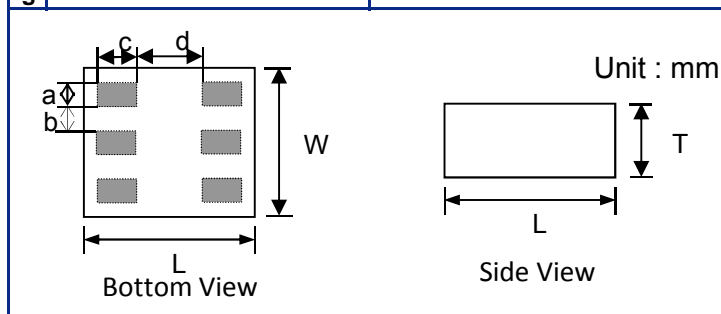
\*18 months in vacuum sealed bag and 1 week cumulative after opened.

### Part Number Explanation

P/N Suffix	Packing Style	Bulk	Suffix = S	eg. 2450DP39H5500S
		T & R (3000pcs)	Suffix = E	eg. 2450DP39H5500E
	Termination style	100% Tin	Suffix = None	eg. 2450DP39H5500(E or S)
	Evaluation Board	2450DP39H5500-EBSMA		

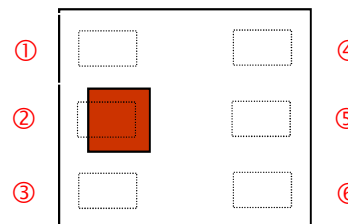
### Mechanical Dimensions

	In	mm
<b>L</b>	0.098 ± 0.008	2.50 ± 0.20
<b>W</b>	0.079 ± 0.008	2.00 ± 0.20
<b>T</b>	0.028 max.	0.70 max.
<b>a</b>	0.012 ± 0.004	0.30 ± 0.10
<b>b</b>	0.016 ± 0.004	0.40 ± 0.10
<b>c</b>	0.024 ± 0.004 /-0.2	0.60 ± 0.10
<b>g</b>	0.043 ± 0.006	1.10 ± 0.15



### Terminal Configuration

No.	Function
<b>1</b>	Common Port
<b>2</b>	GND
<b>3</b>	Higher Freq. Port
<b>4</b>	Lower Freq. Port
<b>5</b>	GND
<b>6</b>	GND



# "High Frequency Ceramic Solutions"

Preliminary

2.45 / 5.5GHz WLAN Ceramic Diplexer (BPF/BPF type)

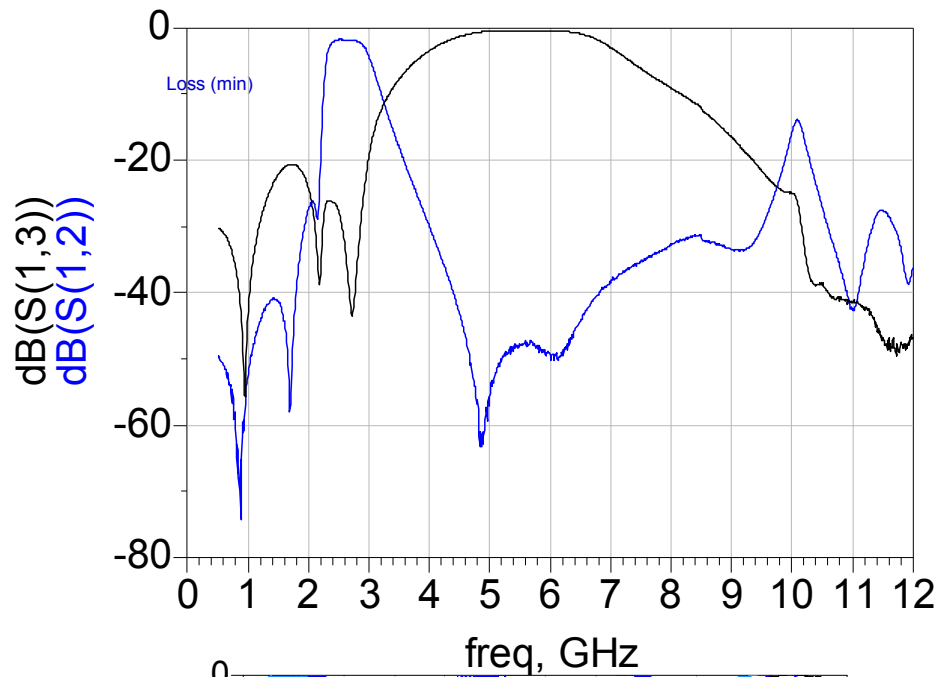
P/N 2450DP39H5500

Detail Specification: 8/2/2012

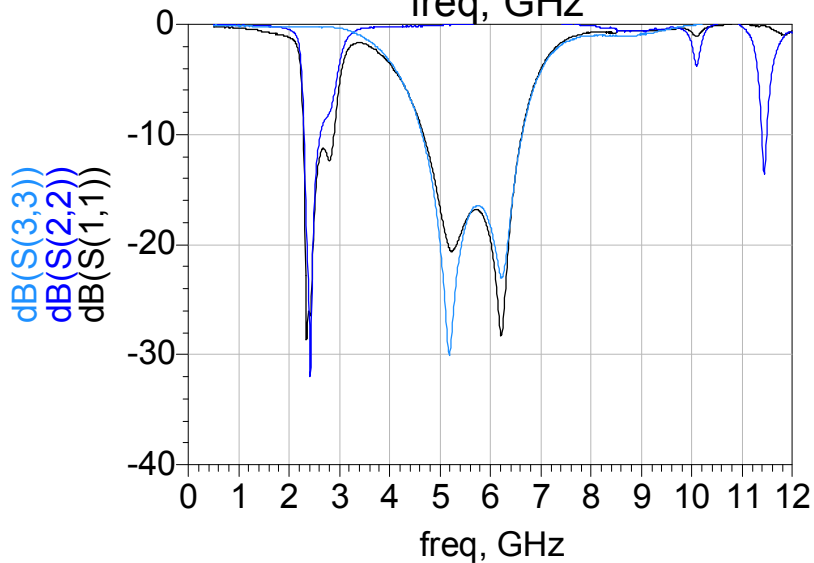
Page 2 of 3

## Typical Electrical Performance (T=25°C)

### Attenuation



### Return Loss



The contents of this data sheet are subject to change without notice. Please confirm the specifications and delivery conditions when placing your order. All sales are subject to Johanson Technology, Inc. terms and conditions.



[www.johansontechnology.com](http://www.johansontechnology.com)

4001 Calle Tecate • Camarillo, CA 93012 • TEL 805.389.1166 FAX 805.389.1821

2012 Johanson Technology, Inc. All Rights Reserved

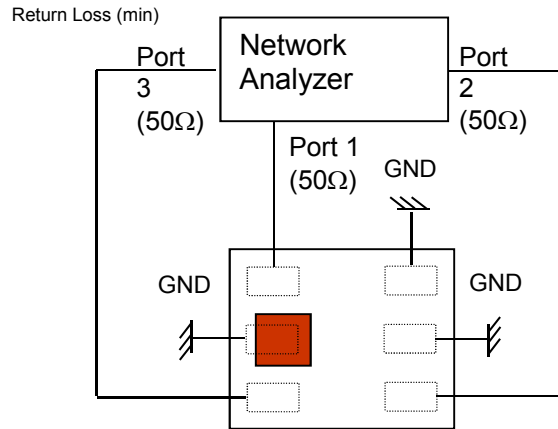
## 2.45 / 5.5GHz WLAN Ceramic Diplexer (BPF/BPF type)

P/N 2450DP39H5500

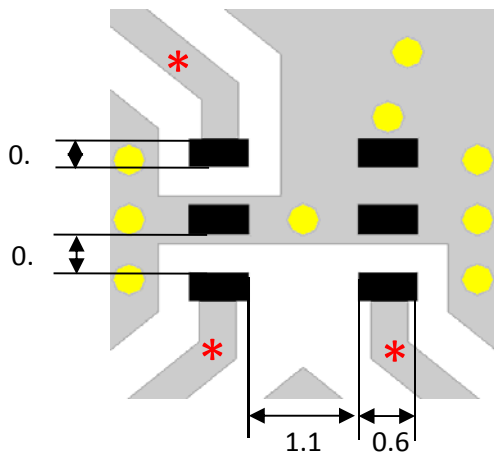
Detail Specification: 8/2/2012

Page 3 of 3

### Measuring Diagram



### Mounting Considerations



- Solder Resist
- Land
- Through-hole ( 0.30)

\* Line width should be designed to match 50Ω characteristic impedance, depending on PCB material and thickness.

The contents of this data sheet are subject to change without notice. Please confirm the specifications and delivery conditions when placing your order. All sales are subject to Johanson Technology, Inc. terms and conditions.