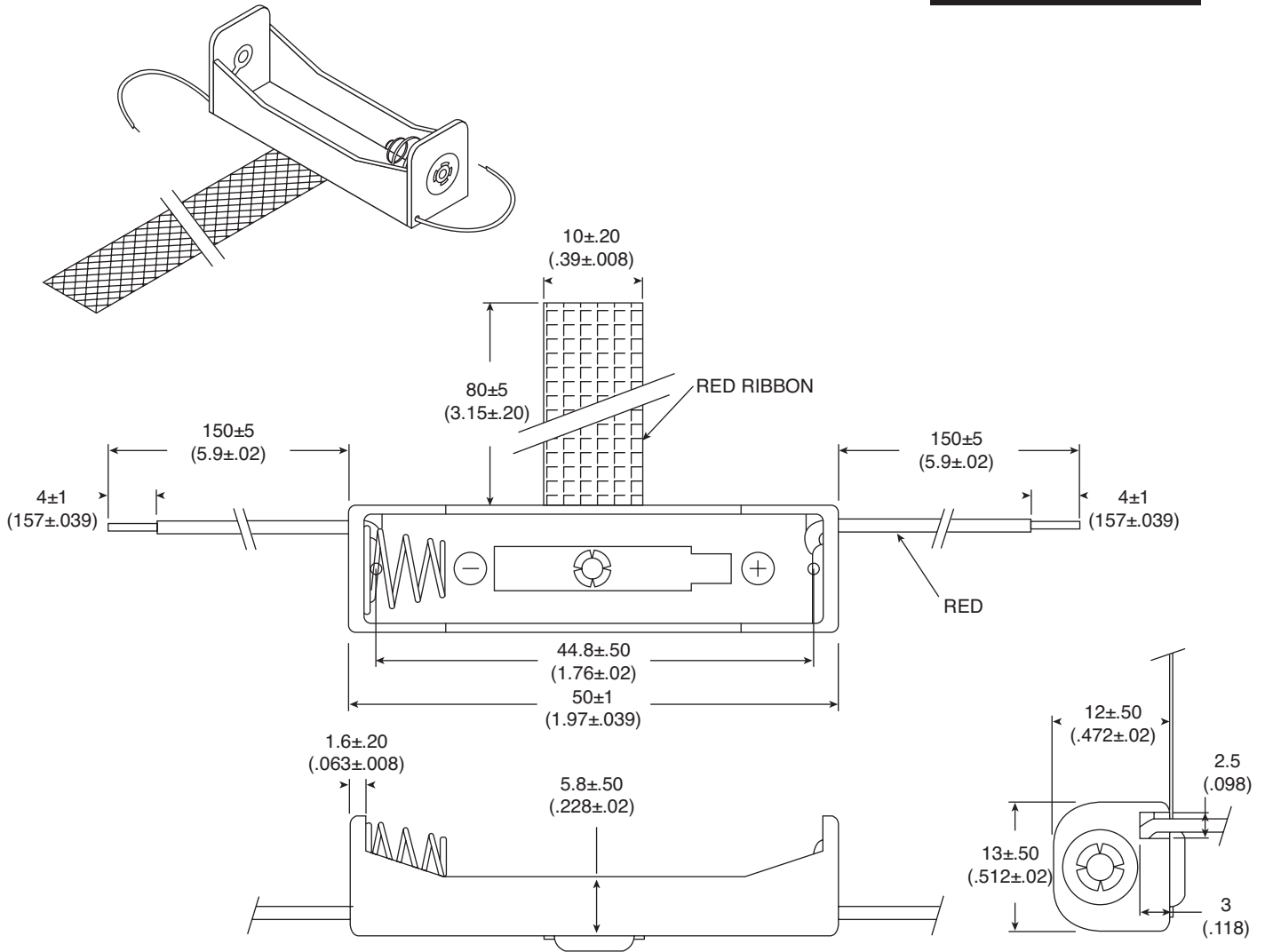


Date Last Revised: 5-10-12



DIMENSIONS: mm (in.)

SPECIFICATIONS	
Leads:	AWG#26
	Black & Red 150mm ±5mm
	Strip & Tin 4mm ±1mm
Body Material:	P.P. Resin
Spring:	0.6mm 65C Spring Wire
Color:	Black
RoHS Compliant	

Available from Mouser Electronics
1-800-346-6873 / www.mouser.com

EPD-200688