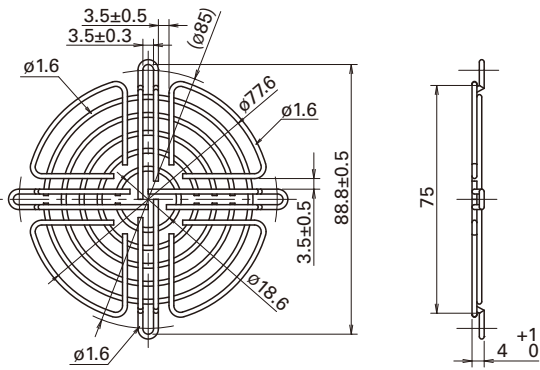


**Dimensions** (unit: mm)

**°92 mm type.**

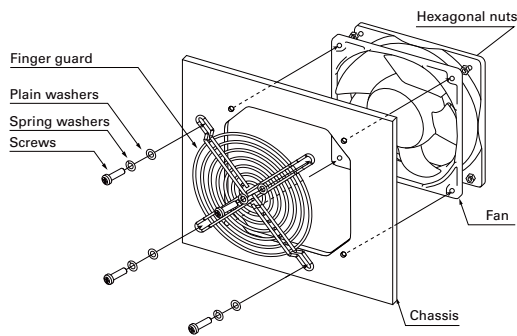
Model no.: 109-1147      Surface treatment: Nickel-chrome plating (silver)      Color

Impeller side, Nameplate side



Mass: 23 g

**Axial fan**



**Centrifugal fan**

