

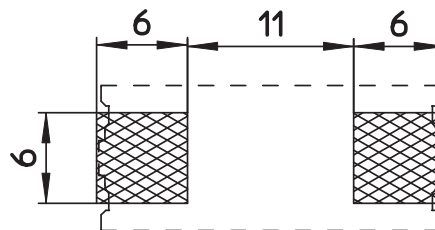
1

2

3

4

5



PCB LAYOUT - COMPONENT VIEW

TECHNICAL CHARACTERISTICS

MATERIAL
 INSULATOR: PETG35
 FLAMMABILITY RATING: UL94V0
 COLOR: BLACK
 CONTACT / PLATING: ALLOY Cu + Ni & Si / Ni+Sn

ENVIRONMENTAL
 OPERATING TEMPERATURE: -30°C UP TO +120°C
 COMPLIANCE: LEAD FREE AND ROHS

ELECTRICAL	UL	VDE
CURRENT RATING:	20 A	10 A
WORKING VOLTAGE:	250 VAC	250 VAC
WITHSTANDING VOLTAGE:	1,5 KV	1,5 KV
RATED POWER ACCEPTANCE:	---	4 W
PROTECTION CLASS:	I o II	
CONTACT RESISTANCE:	5/10 mΩ MAX	

STANDARD

CERTIFIED: E157417
 CERTIFIED: 40038367

CAT. N°: PTF/18
 TYPE: PTF/18

MECHANICAL

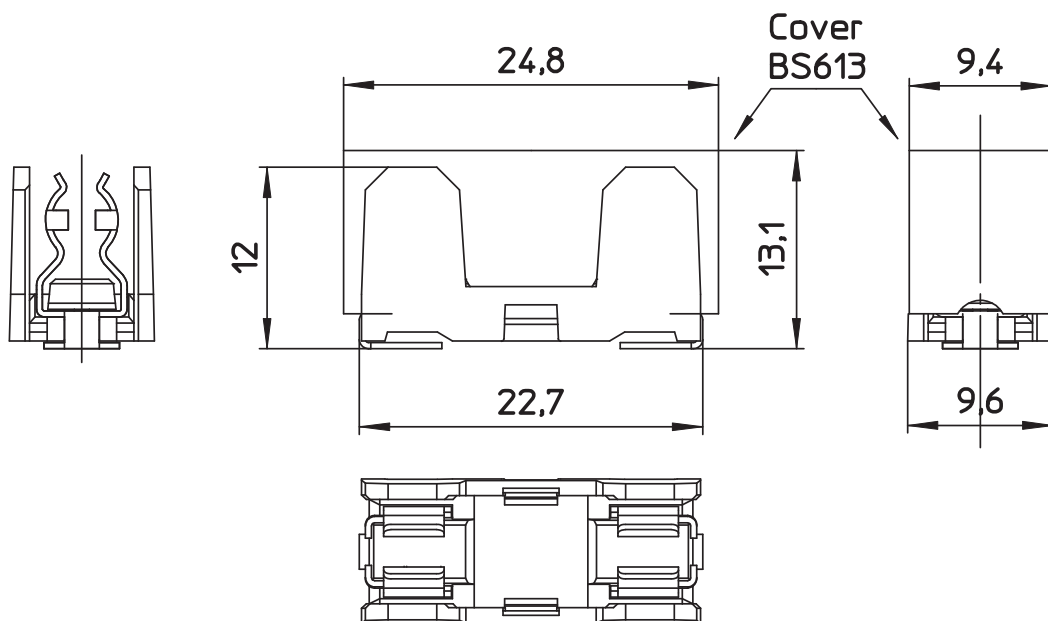
FUSE-LINK: 5x20 mm
 PROTECTION RATE: IP00
 SHOCKSAFE CATEGORY: PC1

SOLDERING

JEDEC LEAD FREE REFLOW SOLDERING

PACKAGING

BOX



RoHS Compliant

G				PROJECTION: 	GENERAL TOLERANCE ±0,1	 WÜRTH ELEKTRONIK	
F							
E							
D	14-MAR-17	CURRENT RATING	AK				
C	30-JUN-15	SHOCKSAFE	AK	APPROVAL: FBr	UNIT: MM	DESCRIPTION: FUSEHOLDER BLOCKS - PCB - CLIP COVER - SMT - GLOW WIRE PLASTIC - WR-FSH	
B	01-APR-15	PROTECTION RATE	QL		SCALE:		
A	10-SEP-14	PDF	AK		SHEET: 1/2		WERI PART NO: 696 103 101 002
REV	DATE	FILE	BY		DRAW: AK		

SIZE

A4

1

2

3

4

5

Cautions and Warnings:

This electronic component is designed and developed with the intention for use in general electronics equipments.

Before incorporating the components into any equipments in the field such as aerospace, aviation, nuclear control, submarine, transportation, (automotive control, train control, ship control), transportation signal, disaster prevention, medical, public information network etc. where higher safety and reliability are especially required or if there is possibility of direct damage or injury to human body, Würth Elektronik must be asked for a written approval.

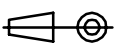

In addition, even electronic component in general electronic equipments, when used in electrical circuits that require high safety, reliability functions or performance, the sufficient reliability evaluation-check for the safety must be performed before by the user before usage.

A

B

C

RoHS Compliant

G				PROJECTION: 	GENERAL TOLERANCE .X = +/- 0.2 .XX = +/- 0.15	 WÜRTH ELEKTRONIK	
F							
E							
D							
C				APPROVAL: JC	UNIT: MM	DESCRIPTION: DISCLAIMER	SIZE A4
B					SCALE:		
A	10-SEP-14	PDF	QL		SHEET: 2/2	WERI PART NO: DISCLAIMER	
REV	DATE	FILE	BY		DRAW: QL		

D