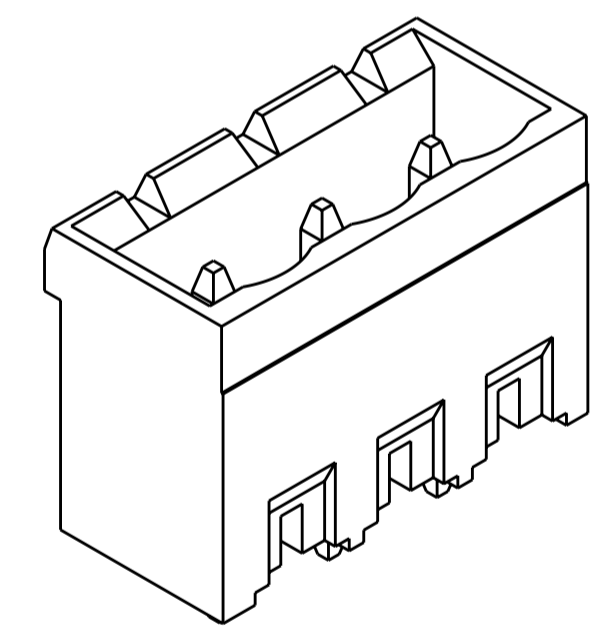
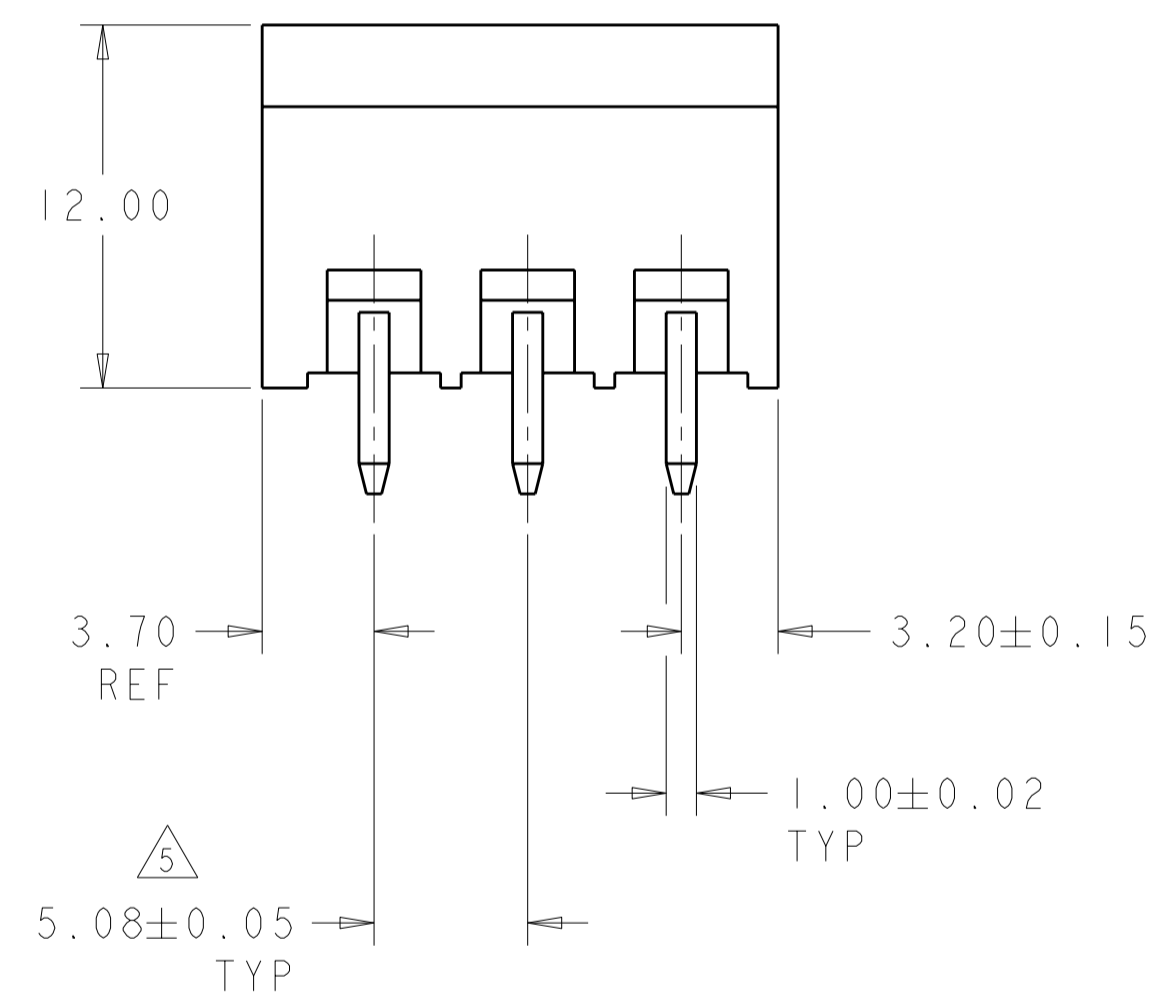
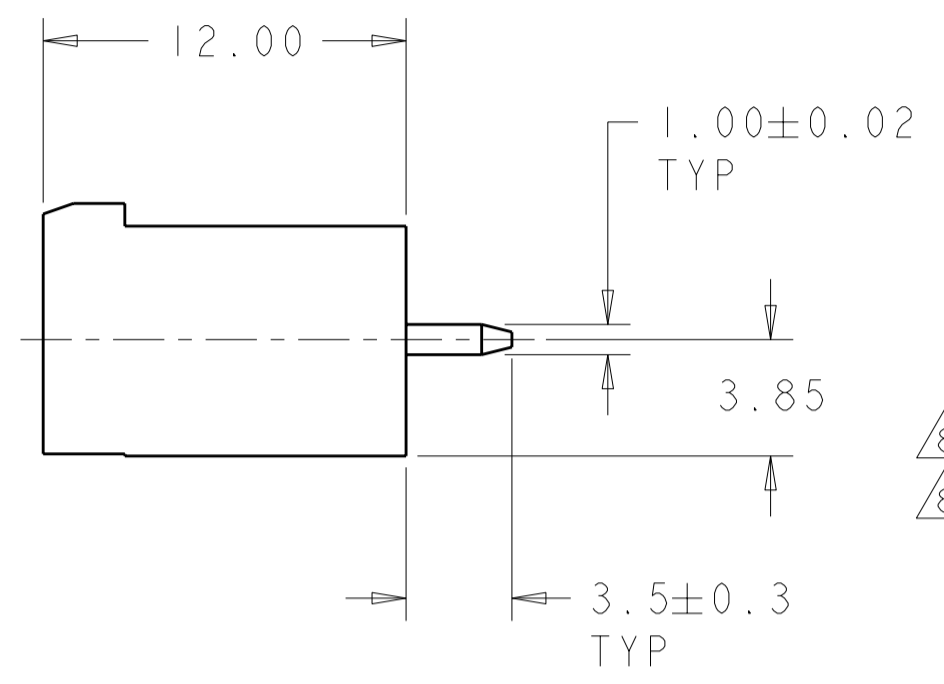
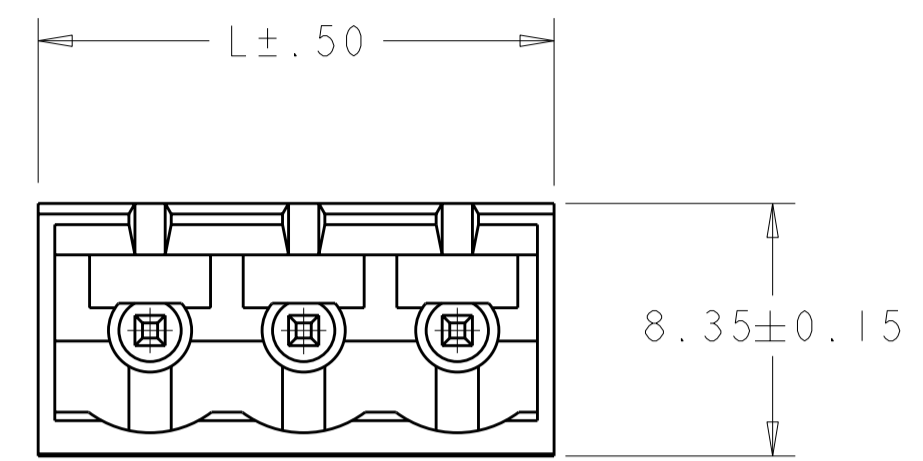
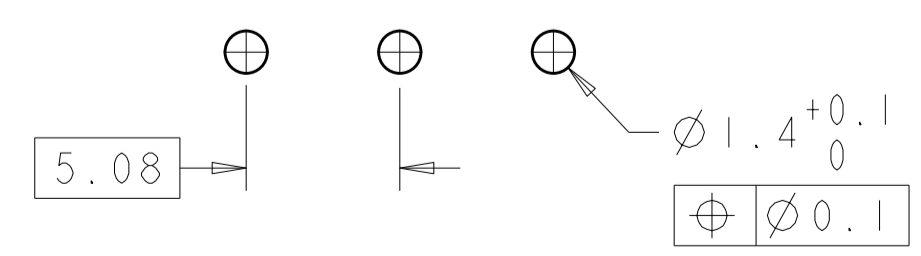


THIS DRAWING IS UNPUBLISHED. RELEASED FOR PUBLICATION 20  
 © COPYRIGHT 20 BY - ALL RIGHTS RESERVED.

| REVISIONS |     |                           |           |     |      |
|-----------|-----|---------------------------|-----------|-----|------|
| P         | LTR | DESCRIPTION               | DATE      | DWN | APVD |
| C6        |     | REVISED PER ECO-12-007711 | 26APR2012 | KH  | MS   |



796636-3 AS SHOWN



RECOMMENDED PC BOARD LAYOUT

|                |             |         |          |            |             |            |
|----------------|-------------|---------|----------|------------|-------------|------------|
| 8              | TIN         | -       | DETAIL N | 108.50     | 21          | 2-796636-9 |
| 8              | TIN         | -       | DETAIL M | 78.02      | 15          | 2-796636-8 |
|                | .762µm GOLD | -       | -        | 42.46      | 8           | 2-796636-7 |
|                | TIN         | 6       | DETAIL L | 22.14      | 4           | 2-796636-6 |
|                | TIN         | -       | -        | 128.82     | 25          | 2-796636-5 |
|                | TIN         | -       | -        | 123.74     | 24          | 2-796636-4 |
|                | TIN         | -       | -        | 118.66     | 23          | 2-796636-3 |
|                | TIN         | -       | -        | 113.58     | 22          | 2-796636-2 |
|                | TIN         | -       | -        | 108.50     | 21          | 2-796636-1 |
|                | TIN         | -       | -        | 103.42     | 20          | 2-796636-0 |
|                | TIN         | -       | -        | 98.34      | 19          | 1-796636-9 |
|                | TIN         | -       | -        | 93.26      | 18          | 1-796636-8 |
|                | TIN         | -       | -        | 88.18      | 17          | 1-796636-7 |
|                | TIN         | -       | -        | 83.10      | 16          | 1-796636-6 |
|                | TIN         | -       | -        | 78.02      | 15          | 1-796636-5 |
|                | TIN         | -       | -        | 72.94      | 14          | 1-796636-4 |
|                | TIN         | -       | -        | 67.86      | 13          | 1-796636-3 |
|                | TIN         | -       | -        | 62.78      | 12          | 1-796636-2 |
|                | TIN         | -       | -        | 57.70      | 11          | 1-796636-1 |
|                | TIN         | -       | -        | 52.62      | 10          | 1-796636-0 |
|                | TIN         | -       | -        | 47.54      | 9           | 796636-9   |
|                | TIN         | -       | -        | 42.46      | 8           | 796636-8   |
|                | TIN         | -       | -        | 37.38      | 7           | 796636-7   |
|                | TIN         | -       | -        | 32.30      | 6           | 796636-6   |
|                | TIN         | -       | -        | 27.22      | 5           | 796636-5   |
|                | TIN         | -       | -        | 22.14      | 4           | 796636-4   |
|                | TIN         | -       | -        | 17.06      | 3           | 796636-3   |
|                | TIN         | -       | -        | 11.98      | 2           | 796636-2   |
| CONTACT FINISH | MARKING     | SPECIAL | DIM L    | NO OF POSN | PART NUMBER |            |

THIS DRAWING IS A CONTROLLED DOCUMENT.

DWN: S. WELDON 19OCT2000  
 CHK: D. BIEVENOUR 19OCT2000  
 APVD: D. BIEVENOUR 19OCT2000

**STE** TE Connectivity

NAME: TERMI-BLOK HEADER ASSEMBLY, 180 DEGREE, CLOSED ENDS, 5.08mm PITCH

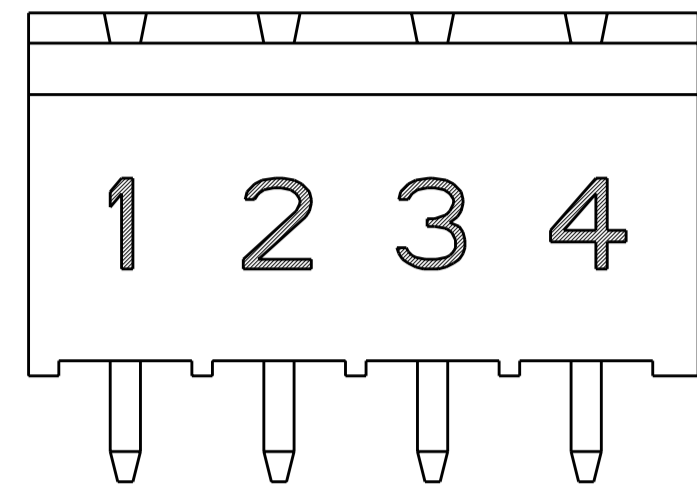
SIZE: A2 CAGE CODE: 00779 DRAWING NO: 796636

MATERIAL: TOLERANCES UNLESS OTHERWISE SPECIFIED: 0 PLC ±0.3, 1 PLC ±0.25, 2 PLC ±0.25, 3 PLC ±, 4 PLC ±, ANGLES ±, FINISH

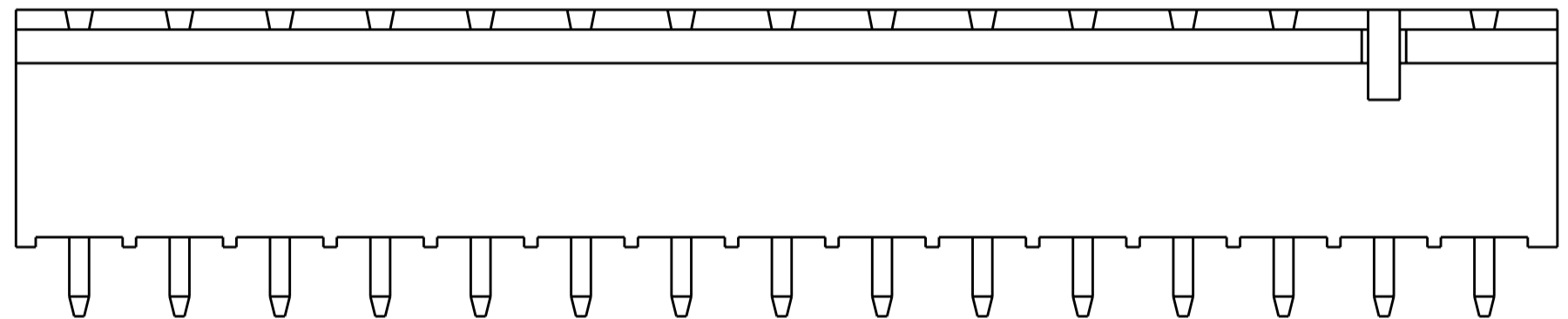
CUSTOMER DRAWING SCALE: 4:1 SHEET 1 OF 2 REV C6

THIS DRAWING IS UNPUBLISHED. RELEASED FOR PUBLICATION 20  
 © COPYRIGHT 20 BY - ALL RIGHTS RESERVED.

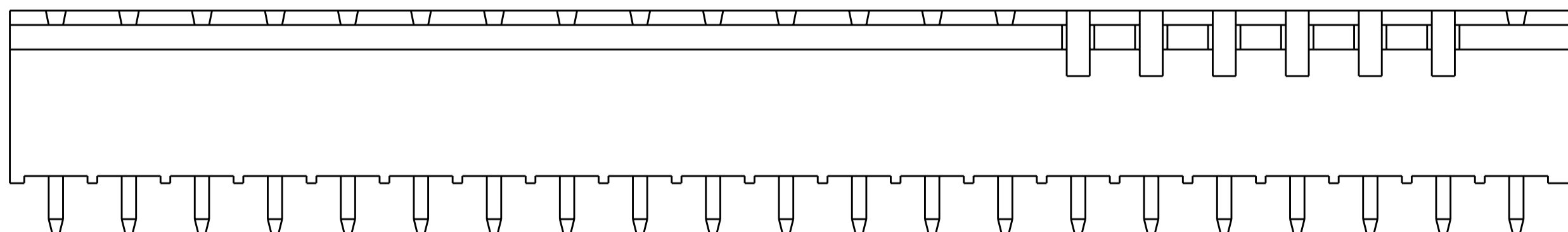
| LOC | DIST | REVISIONS   |             |     |      |
|-----|------|-------------|-------------|-----|------|
| P   | LTR  | DESCRIPTION | DATE        | DWN | APVD |
| FT  | 0    | -           | SEE SHEET 1 | -   | -    |
|     |      |             |             |     |      |
|     |      |             |             |     |      |



DETAIL L



DETAIL M  
2-796636-8



DETAIL N  
2-796636-9

- 1. MATERIALS AND FINISH:  
HOUSING: PA 6-6, UL 94-V0, COLOR: GREEN.  
TERMINAL: COPPER ALLOY, TIN PLATED.
- 2. SUITABLE FOR 1,6-2, 4mm PC BOARD THICKNESS.
- 3. RECOGNIZED UNDER THE COMPONENT PROGRAM OF UNDERWRITERS LABORATORIES INC. FILE N° E60677.
- 4. IMQ CERTIFICATE WITH SURVEILLANCE IN CONFORMITY WITH IEC 998-1/998-2-1.}
- 5. NOT CUMULATIVE TOLERANCE
- 6. INK MARKED WHITE  
NUMERICAL SEQUENCE: FROM LEFT TO RIGHT.
- 7. BUCHANAN LOGO TO APPEAR ON HOUSING, LOCATION OPTIONAL WHERE SPACE PERMITS.
- 8. KEYS TO BE GLUED IN PLACE AS SHOWN.

|   |   |                      |           |   |       |   |       |   |       |   |       |   |        |   |        |   |              |
|---|---|----------------------|-----------|---|-------|---|-------|---|-------|---|-------|---|--------|---|--------|---|--------------|
| THIS DRAWING IS A CONTROLLED DOCUMENT.  |   | DWN<br>S. WELDON     | 19OCT2000 | <b>STE</b> TE Connectivity  |       |   |       |   |       |   |       |   |        |   |        |   |              |
| DIMENSIONS:<br>mm   |   | CHK<br>D. BIEVENOUR  | 19OCT2000 |   |       |   |       |   |       |   |       |   |        |   |        |   |              |
| TOLERANCES UNLESS OTHERWISE SPECIFIED:  |   | APVD<br>D. BIEVENOUR | 19OCT2000 |   |       |   |       |   |       |   |       |   |        |   |        |   |              |
| <table border="0"> <tr><td>0 PLC</td><td>±</td></tr> <tr><td>1 PLC</td><td>±</td></tr> <tr><td>2 PLC</td><td>±</td></tr> <tr><td>3 PLC</td><td>±</td></tr> <tr><td>4 PLC</td><td>±</td></tr> <tr><td>ANGLES</td><td>±</td></tr> <tr><td>FINISH</td><td>±</td></tr> </table> |   | 0 PLC                | ±         |   | 1 PLC | ± | 2 PLC | ± | 3 PLC | ± | 4 PLC | ± | ANGLES | ± | FINISH | ± | PRODUCT SPEC |
| 0 PLC   | ± |                      |           |   |       |   |       |   |       |   |       |   |        |   |        |   |              |
| 1 PLC   | ± |                      |           |   |       |   |       |   |       |   |       |   |        |   |        |   |              |
| 2 PLC   | ± |                      |           |   |       |   |       |   |       |   |       |   |        |   |        |   |              |
| 3 PLC   | ± |                      |           |   |       |   |       |   |       |   |       |   |        |   |        |   |              |
| 4 PLC   | ± |                      |           |   |       |   |       |   |       |   |       |   |        |   |        |   |              |
| ANGLES  | ± |                      |           |   |       |   |       |   |       |   |       |   |        |   |        |   |              |
| FINISH  | ± |                      |           |   |       |   |       |   |       |   |       |   |        |   |        |   |              |
| MATERIAL  |   | APPLICATION SPEC     | -         | NAME<br>TERMI-BLOK HEADER ASSEMBLY,<br>180 DEGREE, CLOSED ENDS,<br>5.08mm PITCH |       |   |       |   |       |   |       |   |        |   |        |   |              |
|   |   | WEIGHT               | -         | SIZE<br>A200779   |       |   |       |   |       |   |       |   |        |   |        |   |              |
|   |   | CUSTOMER DRAWING     |           | CAGE CODE<br>C-796636   |       |   |       |   |       |   |       |   |        |   |        |   |              |
|   |   |                      |           | DRAWING NO<br>-   |       |   |       |   |       |   |       |   |        |   |        |   |              |
|   |   |                      |           | RESTRICTED TO<br>-  |       |   |       |   |       |   |       |   |        |   |        |   |              |
|   |   |                      |           | SCALE 4:1 SHEET 2 OF 2 REV C6   |       |   |       |   |       |   |       |   |        |   |        |   |              |