

# DATA SHEET

## **SCC2698B**

Enhanced octal universal asynchronous receiver/transmitter (Octal UART)

Product data sheet  
Supersedes data of 2000 Jan 31

2006 Aug 07

# Enhanced octal universal asynchronous receiver/transmitter (Octal UART)

## SCC2698B

### DESCRIPTION

The SCC2698B Enhanced Octal Universal Asynchronous Receiver/Transmitter (Octal UART) is a single chip MOS-LSI communications device that provides eight full-duplex asynchronous receiver/transmitter channels in a single package. It is fabricated with CMOS technology which combines the benefits of high density and low power consumption.

The operating speed of each receiver and transmitter can be selected independently as one of 26 fixed baud rates, a 16X clock derived from a programmable counter/timer, or an external 1X or 16X clock. The baud rate generator and counter/timer can operate directly from a crystal or from external clock inputs. The ability to independently program the operating speed of the receiver and transmitter make the Octal UART particularly attractive for dual-speed channel applications such as clustered terminal systems.

The receiver is quadruple buffered to minimize the potential of receiver overrun or to reduce interrupt overhead in interrupt driven systems. In addition, a handshaking (RTS/CTS) capability is provided to disable a remote UART transmitter when the receiver buffer is full.

The UART provides a power-down mode in which the oscillator is frozen but the register contents are stored. This results in reduced power consumption on the order of several magnitudes. The Octal UART is fully TTL compatible and operates from a single +5V power supply.

The SCC2698B is an upwardly compatible version of the 2698A Octal UART. In PLCC packaging, it is enhanced by the addition of receiver ready or FIFO full status outputs, and transmitter empty status outputs for each channel on 16 multipurpose I/O pins. The multipurpose pins of the 2698B RIO pins, thus DMA and modem control is provided.

### FEATURES

- Eight full-duplex independent asynchronous receiver/transmitters
- Quadruple buffered receiver data register
- Programmable data format:
  - 5 to 8 data bits plus parity
  - Odd, even, no parity or force parity
  - 1, 1.5 or 2 stop bits programmable in 1/16-bit increments
- Baud rate for the receiver and transmitter selectable from:
  - 26 fixed rates: 50 to 38.4K baud
  - Non-standard rates to 115.2K baud
  - User-defined rates from the programmable counter/timer associated with each of four blocks
  - External 1x or 16x clock
- Parity, framing, and overrun error detection
- False start bit detection
- Line break detection and generation
- Programmable channel mode
  - Normal (full-duplex), automatic echo, local loop back, remote loopback
- Four multi-function programmable 16-bit counter/timers
- Four interrupt outputs with eight maskable interrupting conditions for each output
- Receiver ready/FIFO full and transmitter ready status available on 16 multi-function pins in PLCC package
- On-chip crystal oscillator
- TTL compatible
- Single +5V power supply with low power mode
- Eight multi-purpose output pins
- Sixteen multi-purpose I/O pins
- Sixteen multi-purpose Input pins with pull-up resistors

### ORDERING INFORMATION

PACKAGES	COMMERCIAL	INDUSTRIAL	Version
	V <sub>CC</sub> = +5 V ± 5 %, T <sub>A</sub> = 0 °C to +70 °C	V <sub>CC</sub> = +5 V ± 5 %, T <sub>A</sub> = -40 °C to +85 °C	
84-Pin Plastic Leaded Chip Carrier (PLCC)	SCC2698BC1A84	SCC2698BE1A84	SOT189-2

**NOTE:** Pin Grid Array (PGA) package version is available from Philips Components Military Division.

### ABSOLUTE MAXIMUM RATINGS<sup>1</sup>

SYMBOL	PARAMETER	RATING	UNIT
T <sub>A</sub>	Operating ambient temperature range <sup>2</sup>	Note 4	°C
T <sub>STG</sub>	Storage temperature range	-65 to +150	°C
V <sub>CC</sub>	Voltage from V <sub>DD</sub> to GND <sup>3</sup>	-0.5 to +7.0	V
V <sub>S</sub>	Voltage from any pin to ground <sup>3</sup>	-0.5 to V <sub>CC</sub> +0.5	V
P <sub>D</sub>	Power dissipation	1	W

#### NOTES:

1. Stresses above those listed under Absolute Maximum Ratings may cause permanent damage to the device. This is a stress rating only and functional operation of the device at these or any other condition above those indicated in the operation section of this specification is not implied.
2. For operating at elevated temperatures, the device must be derated based on +150°C maximum junction temperature.
3. This product includes circuitry specifically designed for the protection of its internal devices from damaging effects of excessive static charge. Nonetheless, it is suggested that conventional precautions be taken to avoid applying any voltages larger than the rated maxima.
4. Parameters are valid over specified temperature range. See ordering information table for applicable temperature range and operating supply range.

# Enhanced octal universal asynchronous receiver/transmitter (Octal UART)

## SCC2698B

### PIN CONFIGURATIONS

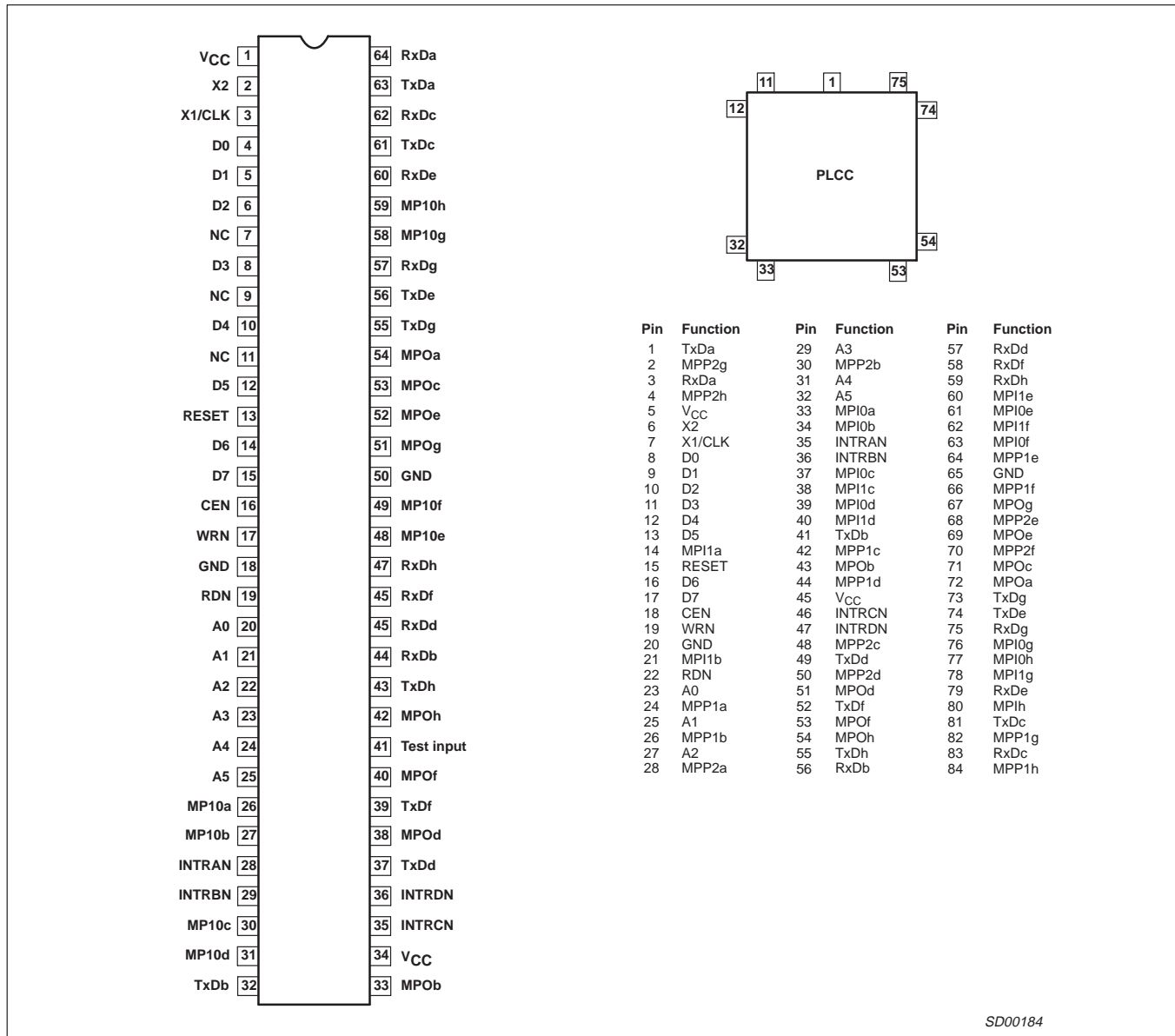


Figure 1. Pin Configurations

SD00184

# Enhanced octal universal asynchronous receiver/transmitter (Octal UART)

SCC2698B

## BLOCK DIAGRAM

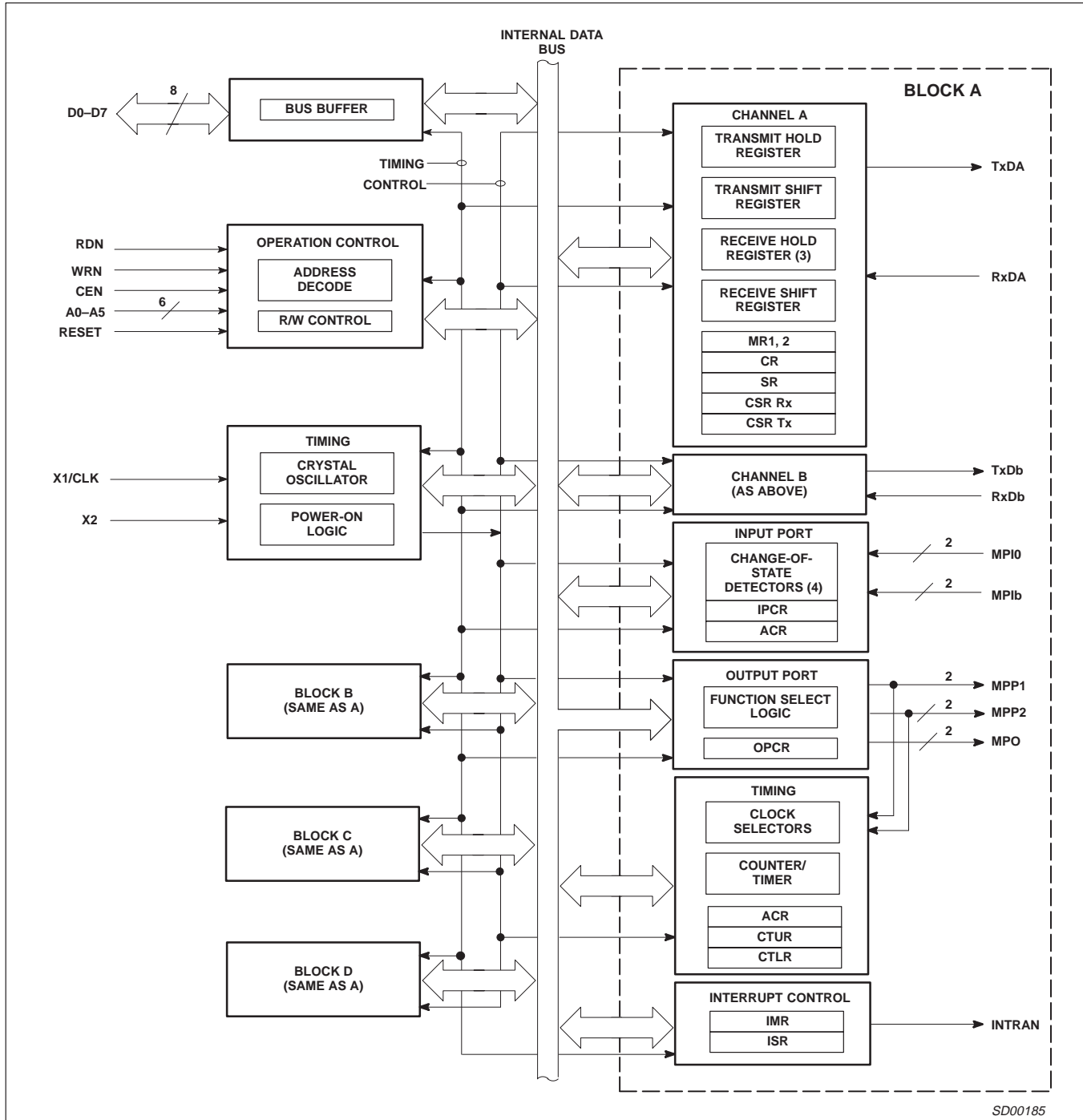


Figure 2. Block Diagram

# Enhanced octal universal asynchronous receiver/transmitter (Octal UART)

SCC2698B

## PIN DESCRIPTION

MNEMONIC	PIN NO.	TYPE	NAME AND FUNCTION
D0–D7	8–13, 16, 17	I/O	<b>Data Bus:</b> Active–High 8-bit bidirectional 3-State data bus. Bit 0 is the LSB and bit 7 is the MSB. All data, command, and status transfers between the CPU and the Octal UART take place over this bus. The direction of the transfer is controlled by the WRN and RDN inputs when the CEN input is low. When the CEN input is High, the data bus is in the 3-State condition.
CEN	18	I	<b>Chip Enable:</b> Active-Low input. When Low, data transfers between the CPU and the Octal UART are enabled on D0–D7 as controlled by the WRN, RDN and A0–A5 inputs. When CEN is High, the Octal UART is effectively isolated from the data bus and D0–D7 are placed in the 3-State condition.
WRN	19	I	<b>Write Strobe:</b> Active-Low input. A Low on this pin while CEN is Low causes the contents of the data bus to be transferred to the register selected by A0–A5. The transfer occurs on the trailing (rising) edge of the signal.
RDN	22	I	<b>Read Strobe:</b> Active-Low input. A Low on this pin while CEN is Low causes the contents of the register selected by A0–A5 to be placed on the data bus. The read cycle begins on the leading (falling) edge of RDN.
A0–A5	23, 25, 27, 29, 31, 32	I	<b>Address Inputs:</b> Active-High address inputs to select the Octal UART registers for read/write operations.
RESET	15	I	<b>Reset:</b> Master reset. A High on this pin clears the status register (SR), clears the interrupt mask register (IMR), clears the interrupt status register (ISR), clears the output port configuration register (OPCR), places the receiver and transmitter in the inactive state causing the TxD output to go to the marking (High) state, and stops the counter/timer. Clears power-down mode and interrupts. Clears Test Modes, sets MR pointer to MR1.
INTRAN– INTRDN	35, 36, 46, 47	O	<b>Interrupt Request:</b> This active-Low open drain output is asserted on occurrence of one or more of eight maskable interrupting conditions. The CPU can read the interrupt status register to determine the interrupting condition(s). These pins require a pullup device and may be wire ORed.
X1/CLK	7	I	<b>Crystal 1:</b> Crystal or external clock input. When using the crystal oscillator, this pin serves as the connection for one side of the crystal. If a crystal is not used, an external clock is supplied at this input. An external clock (or crystal) is required even if the internal baud rate generator is not utilized. This clock is used to drive the internal baud rate generator, as an optional input to the timer/counter, and to provide other clocking signals required by the chip.
X2	6	I	<b>Crystal 2:</b> Connection for other side of crystal. If an external source is used instead of a crystal, this connection should be left open (see Figure 9).
RxDa–RxDh	3, 56, 83, 57, 79, 58, 75, 59	I	<b>Receiver Serial Data Input:</b> The least significant bit is received first. If external receiver clock is specified, this input is sampled on the rising edge of the clock. If internal clock is used, the RxD input is sampled on the rising edge of the RxC1x signal as seen on the MPO pin.
TxDa–TxDh	1, 41, 81, 49, 74, 52, 73, 55	O	<b>Transmitter Serial Data Output:</b> The least significant bit is transmitted first. This output is held in the marking (High) condition when the transmitter is idle or disabled and when the Octal UART is operating in local loopback mode. If external transmitter is specified, the data is shifted on the falling edge of the transmitter clock. If internal clock is used, the TxD output changes on the falling edge of the TxC1x signal as seen on the MPO pin.
MPOa–MPOh	72, 43, 71, 51, 69, 53, 67, 54	O	<b>Multi-Purpose Output:</b> Each of the four DUARTS has two MPO pins (one per UART). One of the following eight functions can be selected for this output pin by programming the OPCR (output port configuration register). Note that reset conditions MPO pins to RTSN. <b>RTSN</b> – Request to send active-Low output. This output is asserted and negated via the command register. By appropriate programming of the mode registers, (MR1[7])=1 RTSN can be programmed to be automatically reset after the character in the transmitter is completely shifted or when the receiver FIFO and shift register are full. RTSN is an internal signal which normally represents the condition of the receiver FIFO not full, i.e., the receiver can request more data to be sent. However, it can also be controlled by the transmitter empty and the commands 8h and 9h written to the CR (command register). <b>C/TO</b> – The counter/timer output. <b>TxC1X</b> – The 1X clock for the transmitter. <b>TxC16X</b> – The 16X clock for the transmitter. <b>RxC1X</b> – The 1X clock for the receiver. <b>RxC16X</b> – The 16X clock for the receiver. <b>TxRDY</b> – Transmitter holding register empty signal. <b>RxRDY/FFULL</b> – Receiver FIFO not empty/full signal.
MPIOa–MPIOh	33, 34, 37, 39, 61, 63, 76, 77	I	<b>Multi-Purpose Input 0:</b> This pin (one in each UART) is programmable. Its state can always be read through the IPCR bit 0, or the IPR bit 0. <b>CTS</b> : By programming MR2[4] to a 1, this input controls the clear-to-send function for the transmitter. It is active low. This pin is provided with a change-of-state detector.

# Enhanced octal universal asynchronous receiver/transmitter (Octal UART)

SCC2698B

## PIN DESCRIPTION (Continued)

MNEMONIC	PIN NO.	TYPE	NAME AND FUNCTION
MPI1a–MPI1h	14, 21, 38, 40, 60, 62, 78, 80	I	<b>Multi-Purpose Input 1:</b> This pin (one for each UART) is programmable. Its state can always be determined by reading the IPCR bit 1 or IPR bit 1. <b>C/TCLK</b> – This input will serve as the external clock for the counter/timer when ACR[5] is set to 0. This occurs only for channels a, c, e, and g since there is one counter/timer for each DUART block. This pin is provided with a change-of-state detector.
MPP1a–MPP1h	24, 26, 42, 44, 64, 66, 82, 84	I/O	<b>Multi-Purpose Pin 1:</b> This pin (one for each UART) is programmed to be an input or an output according to the state of OPCR[7]. (0 = input, 1 = output). The state of the multi-purpose pin can always be determined by reading the IPR. When programmed as an input, it will be the transmitter clock (TxCLK). It will be 1x or 16x according to the clock select registers (CSR[3.0]). When programmed as an output, it will be the status register TxRDY bit. These pins have a small pull-up device.
MPP2a–MPP2h	28, 30, 48, 50, 68, 70, 2, 4	I/O	<b>Multi-Purpose Pin 2:</b> This pin (one for each UART) is programmed to be an input or an output according to the state of OPCR[7]. (0 = input, 1 = output). The state of the multi-purpose pin can always be determined by reading the IPR. When programmed as an input, it will be the receiver clock (RxCLK). It will be 1x or 16x according to the clock select registers (CSR[7:4]). When programmed as an output, it will be the ISR status register RxRDY/FIFO full bit. These pins have a small pull-up device.
Test Input	–	I	<b>Test Input:</b> This pin is used as an input for test purposes at the factory while in test mode. This pin can be treated as 'N/C' by the user. It can be tied high, or left open.
V <sub>CC</sub>	5, 45	I	<b>Power Supply:</b> +5V supply input.
GND	20, 65	I	<b>Ground</b>

## BLOCK DIAGRAM

As shown in the block diagram, the Octal UART consists of: data bus buffer, interrupt control, operation control, timing, and eight receiver and transmitter channels. The eight channels are divided into four different blocks, each block independent of each other (see Figure 3). Figure 2 represents the DUART block.

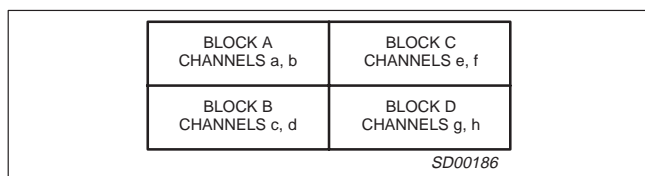


Figure 3. Channel Architecture

## Channel Blocks

There are four blocks (Figure 3), each containing two sets of receiver/transmitters. In the following discussion, the description applies to Block A which contains channels a and b. However, the same information applies to all channel blocks.

## Data Bus Buffer

The data bus buffer provides the interface between the external and internal data buses. It is controlled by the operation control block to allow read and write operations to take place between the controlling CPU and the Octal UART.

## Interrupt Control

A single interrupt output per DUART (INTRN) is provided which is asserted on occurrence of any of the following internal events:

- Transmit holding register ready for each channel
- Receive holding register ready or FIFO full for each channel
- Change in break received status for each channel
- Counter reached terminal count
- Change in MPI input

Associated with the interrupt system are the interrupt mask register (IMR) and the interrupt status register (ISR). The IMR can be programmed to select only certain conditions, of the above, to cause INTRN to be asserted. The ISR can be read by the CPU to determine all currently active interrupting conditions. However, the bits of the ISR are not masked by the IMR. The transmitter ready status and the receiver ready or FIFO full status can be provided on MPP1a, MPP1b, MPP2a, and MPP2b by setting OPCR[7]. these outputs are not masked by IMR.

## Operation Control

The operation control logic receives operation commands from the CPU and generates appropriate signals to internal sections to control device operation. It contains address decoding and read and write circuits to permit communications with the microprocessor via the data bus buffer. The functions performed by the CPU read and write operations are shown in Table 1.

Mode registers 1 and 2 are accessed via an auxiliary pointer. The pointer is set to MR1 by RESET or by issuing a reset pointer command via the command register. Any read or write of the mode register while the pointer is at MR1 switches the pointer to MR2 after the read or write. The pointer then remains at MR2 so that subsequent accesses are to MR2. To access MR1, the command 0001 of the command register must be executed.

## Timing Circuits

The timing block consists of a crystal oscillator, a baud rate generator, a programmable 16-bit counter/timer for each block, and two clock selectors.

## Crystal Clock

The crystal oscillator operates directly from a 3.6864MHz crystal connected across the X1/ CLK and X2 inputs with a minimum of external components. If an external clock of the appropriate frequency is available, it may be connected to X1/CLK. If an external

# Enhanced octal universal asynchronous receiver/transmitter (Octal UART)

## SCC2698B

clock is used instead of a crystal, X1 must be driven and X2 left floating as shown in Figure 9. The clock serves as the basic timing reference for the baud rate generator (BRG), the counter/timer, and

other internal circuits. A clock frequency, within the limits specified in the electrical specifications, must be supplied even if the internal BRG is not used.

**Table 1. Register Addressing**

Units A and B								Units E and F							
A5	A4	A3	A2	A1	A0	READ (RDN=0)	WRITE (WRN=0)	A5	A4	A3	A2	A1	A0	READ (RDN=0)	WRITE (WRN=0)
0	0	0	0	0	0	MR1a, MR2a	MR1a, MR2a	1	0	0	0	0	0	MR1e, MR2e	MR1e, MR2e
0	0	0	0	0	1	SRa	CSRa	1	0	0	0	0	1	SRe	CSRe
0	0	0	0	1	0	BRG Test <sup>2</sup>	CRa	1	0	0	0	1	0	Reserved <sup>1</sup>	CRe
0	0	0	0	1	1	RHRa	THRa	1	0	0	0	1	1	RHRc	THRe
0	0	0	1	0	0	IPCRA	ACRA	1	0	0	1	0	0	IPCRC	ACRC
0	0	0	1	0	1	ISRA	IMRA	1	0	0	1	0	1	ISRC	IMRC
0	0	0	1	1	0	CTUA	CTPUA	1	0	0	1	1	0	CTUC	CTPUC
0	0	0	1	1	1	CTLA	CTPLA	1	0	0	1	1	1	CTLC	CTPLC
0	0	1	0	0	0	MR1b, MR2b	MR1b, MR2b	1	0	1	0	0	0	MR1f, MR2f	MR1f, MR2f
0	0	1	0	0	1	SRb	CSRb	1	0	1	0	0	1	SRf	CSRf
0	0	1	0	1	0	1X/16X Test <sup>2</sup>	CRb	1	0	1	0	1	0	Reserved <sup>1</sup>	CRf
0	0	1	0	1	1	RHRb	THRb	1	0	1	0	1	1	RHRf	THRf
0	0	1	1	0	0	Reserved <sup>1</sup>	Reserved <sup>1</sup>	1	0	1	1	0	0	Reserved <sup>1</sup>	Reserved <sup>1</sup>
0	0	1	1	0	1	Input port A	OPCRA	1	0	1	1	0	1	Input port C	OPCRC
0	0	1	1	1	0	Start C/T A	Reserved <sup>1</sup>	1	0	1	1	1	0	Start C/T C	Reserved <sup>1</sup>
0	0	1	1	1	1	Stop C/T A	Reserved <sup>1</sup>	1	0	1	1	1	1	Stop C/T C	Reserved <sup>1</sup>
Units C and D								Units G and H							
0	1	0	0	0	0	MR1c, MR2c	MR1c, MR2c	1	1	0	0	0	0	MR1g, MR2g	MR1g, MR2g
0	1	0	0	0	1	SRc	CSRc	1	1	0	0	0	1	SRg	CSRg
0	1	0	0	1	0	Reserved <sup>1</sup>	CRc	1	1	0	0	1	0	Reserved <sup>1</sup>	CRg
0	1	0	0	1	1	RHRc	THRc	1	1	0	0	1	1	RHRg	THRg
0	1	0	1	0	0	IPCRB	ACRB	1	1	0	1	0	0	IPCRD	ACRD
0	1	0	1	0	1	ISRB	IMRB	1	1	0	1	0	1	ISRD	IMRD
0	1	0	1	1	0	CTUB	CTPUB	1	1	0	1	1	0	CTUD	CTPUD
0	1	0	1	1	1	CTLB	CTPLB	1	1	0	1	1	1	CTLD	CTPLD
0	1	1	0	0	0	MR1d, MR2d	MR1d, MR2d	1	1	1	0	0	0	MR1h, MR2h	MR1h, MR2h
0	1	1	0	0	1	SRd	CSRd	1	1	1	0	0	1	SRh	CSRh
0	1	1	0	1	0	Reserved <sup>1</sup>	CRd	1	1	1	0	1	0	Reserved <sup>1</sup>	CRh
0	1	1	0	1	1	RHRd	THRd	1	1	1	0	1	1	RHRh	THRh
0	1	1	1	0	0	Reserved <sup>1</sup>	Reserved <sup>1</sup>	1	1	1	1	0	0	Reserved <sup>1</sup>	Reserved <sup>1</sup>
0	1	1	1	0	1	Input port B	OPCRB	1	1	1	1	0	1	Input port D	OPCRD
0	1	1	1	1	0	Start C/T B	Reserved <sup>1</sup>	1	1	1	1	1	0	Start C/T D	Reserved <sup>1</sup>
0	1	1	1	1	1	Stop C/T B	Reserved <sup>1</sup>	1	1	1	1	1	1	Stop C/T D	Reserved <sup>1</sup>

**NOTE:**

1. Reserved registers should never be read during normal operation since they are reserved for internal diagnostics.

- ACR = Auxiliary control register
- CR = Command register
- CSR = Clock select register
- CTL = Counter/timer lower
- CTPL = Counter/timer preset lower register
- CTU = Counter/timer upper
- CTPU = Counter/timer preset upper register
- MR = Mode register
- SR = Status Register
- THR = Tx holding register
- RHR = Rx holding register
- IPCR = Input port change register
- ISR = Interrupt status register
- IMR = Interrupt mask register
- OPCR = Output port configuration register

2. See Table 5 for BRG Test frequencies in this data sheet, and "Extended baud rates for SCN2681, SCN68681, SCC2691, SCC2692, SCC68681 and SCC2698B" Philips Semiconductors ICs for Data Communications, IC-19, 1994.

**BRG**

The baud rate generator operates from the oscillator or external clock input and is capable of generating 26 commonly used data communications baud rates ranging from 50 to 115.2K baud. Thirteen of these are available simultaneously for use by the receiver and transmitter. Eight are fixed, and one of two sets of five can be selected by programming ACR[7]. The clock outputs from the BRG are at 16X the actual baud rate. The counter/timer can be

used as a timer to produce a 16X clock for any other baud rate by counting down the crystal clock or an external clock. The clock selectors allow the independent selection, by the receiver and transmitter, of any of these baud rates or an external timing signal.

**Counter-Timer**

The four Counter/Timers are programmable 16 bit dividers that are used for generating miscellaneous clocks or generating timeout



# Enhanced octal universal asynchronous receiver/transmitter (Octal UART)

## SCC2698B

periods. These clocks may be used by any or all of the receivers and transmitters in the OCTART or may be directed to an I/O pin for miscellaneous use.

### Counter/Timer programming

The counter timer is a 16-bit programmable divider that operates in one of three modes: counter, timer, and time out.

- Timer mode generates a square wave.
- Counter mode generates a time delay.
- Time out mode counts time between received characters.

The C/T uses the numbers loaded into the Counter/Timer Lower Register (CTPL) and the Counter/Timer Upper Register (CTPU) as its divisor. The counter timer is controlled with six commands: Start/Stop C/T, Read/Write Counter/Timer lower register and Read/Write Counter/Timer upper register. These commands have slight differences depending on the mode of operation. Please see the detail of the commands under the CTPL/CTPU register descriptions.

### Baud Rate Generation

When these timers are selected as baud rates for receiver or transmitter via the Clock Select register their output will be configured as a 16x clock. Therefore one needs to program the timers to generate a clock 16 times faster than the data rate. The formula for calculating 'n', the number loaded to the CTPU and CTPL registers, based on a particular input clock frequency is shown below.

For the timer mode the formula is as follows:

$$n = \frac{\text{Clockinputfrequency}}{2 \times 16 \times \text{Baudratedesired}}$$

NOTE: 'n' may not assume values of 0 and 1.

The frequency generated from the above formula will be at a rate 16 times faster than the desired baud rate. The transmitter and receiver state machines include divide by 16 circuits, which provide the final frequency and provide various timing edges used in the qualifying the serial data bit stream. Often this division will result in a non-integer value: 26.3 for example. One may only program integer numbers to a digital divider. There for 26 would be chosen. If 26.7 were the result of the division then 27 would be chosen. This gives a baud rate error of 0.3/26.3 or 0.3/26.7 that yields a percentage error of 1.14% or 1.12% respectively, well within the ability of the asynchronous mode of operation. Higher input frequency to the counter reduces the error effect of the fractional division

One should be cautious about the assumed benign effects of small errors since the other receiver or transmitter with which one is communicating may also have a small error in the precise baud rate. In a "clean" communications environment using one start bit, eight data bits and one stop bit the total difference allowed between the transmitter and receiver frequency is approximately 4.6%. Less than eight data bits will increase this percentage.

### Receiver and Transmitter

The Octal UART has eight full-duplex asynchronous receiver/transmitters. The operating frequency for the receiver and transmitter can be selected independently from the baud rate generator, the counter/timer, or from an external input.

Registers associated with the communications channel are the mode registers (MR1 and MR2), the clock select register (CSR), the command register (CR), the status register (SR), the transmit holding register (THR), and the receive holding register (RHR).

### Transmitter

The SCC2698 is conditioned to transmit data when the transmitter is enabled through the command register. The SCC2698 indicates to the CPU that it is ready to accept a character by setting the TxRDY bit in the status register. This condition can be programmed to generate an interrupt request at MPO or MPP1 and INTRN. When the transmitter is initially enabled the TxRDY and TxEMT bits will be set in the status register. When a character is loaded to the transmit FIFO the TxEMT bit will be reset. The TxEMT will not set until: 1) the transmit FIFO is empty and the transmit shift register has finished transmitting the stop bit of the last character written to the transmit FIFO, or 2) the transmitter is disabled and then re-enabled. The TxRDY bit is set whenever the transmitter is enabled and the TxFIFO is not full. Data is transferred from the holding register to transmit shift register when it is idle or has completed transmission of the previous character. Characters cannot be loaded into the TxFIFO while the transmitter is disabled.

The transmitter converts the parallel data from the CPU to a serial bit stream on the TxD output pin. It automatically sends a start bit followed by the programmed number of data bits, an optional parity bit, and the programmed number of stop bits. The least significant bit is sent first. Following the transmission of the stop bits, if a new character is not available in the Tx FIFO, the TxD output remains High and the TxEMT bit in the Status Register (SR) will be set to 1. Transmission resumes and the TxEMT bit is cleared when the CPU loads a new character into the Tx FIFO.

If the transmitter is disabled, it continues operating until the character currently being transmitted and any characters in the Tx FIFO including parity and stop bit(s) have been completed.

The transmitter can be forced to send a continuous Low condition by issuing a send break command from the command register. The transmitter output is returned to the normal high with a stop break command.

The transmitter can be reset through a software command. If it is reset, operation ceases immediately and the transmitter must be enabled through the command register before resuming operation.

If CTS option is enabled (MR2[4] = 1), the CTSN input at MPI0 must be Low in order for the character to be transmitted. The transmitter will check the state of the CTS input at the beginning of each character transmitted. If it is found to be High, the transmitter will delay the transmission of any following characters until the CTS has returned to the low state. CTS going high during the serialization of a character will not affect that character.

### Transmitter "RS485 turnaround"

The transmitter can also control the RTSN outputs, MPO via MR2[5]. When this mode of operation is set, the meaning of the MPO signal will usually be 'end of message'. See description of the MR2[5] bit for more detail.

### Transmitter Flow control

The transmitter may be controlled by the CTSN input when enabled by MR2(4). The CTSN input would be connected to RTSN output of the receiver to which it is communicating. See further description in the MR 1 and MR2 register descriptions.

### Receiver

The SCC2698 is conditioned to receive data when enabled through the command register. The receiver looks for a High-to-Low (mark-to-space) transition of the start bit on the RxD input pin. If a transition is detected, the state of the RxD pin is sampled each 16X clock for 7-1/2 clocks (16X clock mode) or at the next rising edge of



# Enhanced octal universal asynchronous receiver/transmitter (Octal UART)

## SCC2698B

the bit time clock (1X clock mode). If RxD is sampled high, the start bit is invalid and the search for a valid start bit begins again. If RxD is still low, a valid start bit is assumed. The receiver then continues to sample the input at one-bit time intervals at the theoretical center of the bit. When the proper number of data bits and parity bit (if any) have been assembled, with one half-stop bit the character will be considered complete. The least significant bit is received first. The data is then transferred to the Receive FIFO and the RxRDY bit in the SR is set to a 1. This condition can be programmed to generate an interrupt at MPO or MPP2 and INTRN. If the character length is less than 8 bits, the most significant unused bits in the RxFIFO are set to zero.

### Receiver FIFO

The RxFIFO consists of a First-In-First-Out (FIFO) stack with a capacity of 3 characters. Data is loaded from the receive shift register into the topmost empty position of the FIFO. The RxRDY bit in the status register is set whenever one or more characters are available to be read, and a FFULL status bit is set if all three (3) stack positions are filled with data. Either of these bits can be selected to cause an interrupt. A read of the RxFIFO outputs the data at the top of the FIFO. After the read cycle, the data FIFO and its associated status bits (see below) are 'popped' thus emptying a FIFO position for new data.

### Receiver Status Bits

There are five (5) status bits that are evaluated with each byte (or character) received: received break, framing error, parity error, overrun error, and change of break. The first three are appended to each byte and stored in the RxFIFO. The last two are not necessarily related to the byte being received or a byte that is in the RxFIFO. They are however developed by the receiver state machine.

The received break, framing error, parity error and overrun error (if any) are strobed into the RxFIFO at the received character boundary, before the RxRDY status bit is set. For character mode (see below) status reporting the SR (Status Register) indicates the condition of these bits for the character that is the next to be read from the FIFO

The "received break" will always be associated with a zero byte in the RxFIFO. It means that zero character was a break character and not a zero data byte. The reception of a break condition will always set the "change of break" (see below) status bit in the Interrupt Status Register (ISR). The Change of break condition is reset by a reset error status command in the command register

### Break Detection

If a break condition is detected (RxD is Low for the entire character including the stop bit), a character consisting of all zeros will be loaded into the RxFIFO and the received break bit in the SR is set to 1. The change of break bit also sets in the ISR. The RxD input must return to high for two (2) clock edges of the X1 crystal clock for the receiver to recognize the end of the break condition and begin the search for a start bit.

This will usually require a high time of one X1 clock period or 3 X1 edges since the clock of the controller is not synchronous to the X1 clock.

### Framing Error

A framing error occurs when a non-zero character whose parity bit (if used) and stop; bit are zero. If RxD remains low for one half of the bit period after the stop bit was sampled, then the receiver operates as if the start bit of the next character had been detected.

The parity error indicates that the receiver-generated parity was not the same as that sent by the transmitter.

The framing, parity and received break status bits are reset when the associated data byte is read from the RxFIFO since these "error" conditions are attached to the byte that has the error

### Overrun Error

The overrun error occurs when the RxFIFO is full, the receiver shift register is full, and another start bit is detected. At this moment the receiver has 4 valid characters and the start bit of the 5<sup>th</sup> has been seen. At this point the host has approximately 6/16-bit time to read a byte from the RxFIFO or the overrun condition will be set. The 5<sup>th</sup> character then overruns the 4<sup>th</sup> and the 6<sup>th</sup> the 5<sup>th</sup> and so on until an open position in the RxFIFO is seen. ("seen" meaning at least one byte was read from the RxFIFO.)

Overrun is cleared by a use of the "error reset" command in the command register.

The fundamental meaning of the **overrun** is that data has been lost. Data in the RxFIFO remains valid. The receiver will begin placing characters in the RxFIFO as soon as a position becomes vacant.

Note: Precaution must be taken when reading an overrun FIFO.

There will be 3 valid characters in the receiver FIFO. There will be one character in the receiver shift register. However it will NOT be known if more than one "over-running" character has been received since the overrun bit was set. The 4<sup>th</sup> character is received and read as valid but it will not be known how many characters were lost between the two characters of the 3<sup>rd</sup> and 4<sup>th</sup> reads of the RxFIFO

The "Change of break" means that either a break has been detected or that the break condition has been cleared. This bit is available in the ISR. The break change bit being set in the ISR and the received break bit being set in the SR will signal the beginning of a break. At the termination of the break condition only the change of break in the ISR will be set. After the break condition is detected the termination of the break will only be recognized when the RxD input has returned to the high state for **two** successive edges of the 1x clock; 1/2 to 1 bit time (see above).

The receiver is disabled by reset or via CR commands. A disabled receiver will not interrupt the host CPU under any circumstance in the **normal** mode of operation. If the receiver is in the multi-drop or special mode, it will be partially enabled and thus may cause an interrupt. Refer to section on Wake-Up and the register description for MR1 for more information.

### Receiver Status Modes (block and character)

In addition to the data word, three status bits (parity error, framing error, and received break) are also appended to each data character in the FIFO (overrun is not). Status can be provided in two ways, as programmed by the error mode control bit in the mode register. In the 'character' mode, status is provided on a character-by-character basis; the status applies only to the character at the top of the FIFO. In the 'block' mode, the status provided in the SR for these three bits is the logical-OR of the status for all characters coming to the top of the FIFO since the last 'reset error' command was issued. In either mode reading the SR does not affect the FIFO. The FIFO is 'popped' only when the RxFIFO is read. Therefore the status register should be read prior to reading the FIFO.

### Receiver Flow Control

The receiver can control the deactivation of RTS. If programmed to operate in this mode, the RTSN output will be negated when a valid start bit was received and the FIFO is full. When a FIFO position becomes available, the RTSN output will be re-asserted automatically. This feature can be used to prevent an overrun, in the receiver, by connecting the RTSN output to the CTSN input of the transmitting device.

# Enhanced octal universal asynchronous receiver/transmitter (Octal UART)

SCC2698B

Note: The transmitter may also control the “RTSN” pin. When under transmitter control the meaning is completely changed. The meaning is the transmission has ended. This signal is usually used to switch (turnaround) a bi-directional driver from transmit to receive.

If the receiver is disabled, the FIFO characters can be read. However, no additional characters can be received until the receiver is enabled again. If the receiver is reset, the FIFO and all of the receiver status, and the corresponding output ports and interrupt are reset. No additional characters can be received until the receiver is enabled again.

## Receiver Time-out Mode

The time-out mode uses the received data stream to control the counter. Each time a received character is transferred from the shift register to the Rx FIFO, the counter is restarted. If a new character is not received before the counter reaches zero count, the counter ready bit is set, and an interrupt can be generated. This mode can be used to indicate when data has been left in the Rx FIFO for more than the programmed time limit. Otherwise, if the receiver has been programmed to interrupt the CPU when the receive FIFO is full, and the message ends before the FIFO is full, the CPU may not know there is data left in the FIFO. The CTPU and CTPL value would be programmed for just over one character time, so that the CPU would be interrupted as soon as it has stopped receiving continuous data. This mode can also be used to indicate when the serial line has been marking for longer than the programmed time limit. In this case, the CPU has read all of the characters from the FIFO, but the last character received has started the count. If there is no new data during the programmed time interval, the counter ready bit will get set, and an interrupt can be generated.

The time-out mode is enabled by writing the appropriate command to the command register. Writing an ‘Ax’ to CRA or CRB will invoke the time-out mode for that channel. Writing a ‘Cx’ to CRA or CRB will disable the time-out mode. The time-out mode should only be used by one channel at once, since it uses the C/T. If, however, the time-out mode is enabled from both receivers, the time-out will occur only when **both** receivers have stopped receiving data for the time-out period. CTPU and CTPL must be loaded with a value greater than the normal receive character period. The time-out mode disables the regular START/STOP Counter commands and puts the ca/T into counter mode under the control of the received data stream. Each time a received character is transferred from the shift register to the Rx FIFO, the C/T is stopped after 1 C/T clock, reloaded with the value in CTPU and CTPL and then restarted on the next C/T clock. If the C/T is allowed to end the count before a new character has been received, the counter ready bit, ISR[3], will be set. If IMR[3] is set, this will generate an interrupt. Receiving a character after the C/T has timed out will clear the counter ready bit, ISR[3], and the interrupt. Invoking the ‘Set Time-out Mode On’ command, CRx = ‘Ax’, will also clear the counter ready bit and stop the counter until the next character is received.

This mode is cleared by issuing the “Disable Time-out Mode” command (C0) in the command register.

## Time Out Mode Caution

When operating in the special time out mode, it is possible to generate what appears to be a “false interrupt” – an interrupt without a cause. This may result when a time-out interrupt occurs and then, BEFORE the interrupt is serviced, another character is received, i.e., the data stream has started again. (The interrupt latency is longer than the pause in the data stream.) In this case, when a new character has been received, the counter/timer will be restarted by

the receiver, thereby withdrawing its interrupt. If, at this time, the interrupt service begins for the previously seen interrupt, a read of the ISR will show the “Counter Ready” bit not set. If nothing else is interrupting, this read of the ISR will return a x'00 character.

## Receiver Reset and Disable

Receiver disable stops the receiver immediately – data being assembled if the receiver shift register is lost. Data and status in the FIFO is preserved and may be read. A re-enable of the receiver after a disable will cause the receiver to begin assembling characters at the next start bit detected. A receiver reset will discard the present shift register data, reset the receiver ready bit (RxDY), clear the status of the byte at the top of the FIFO and re-align the FIFO read/write pointers. This has the appearance of “clearing or flushing” the receiver FIFO. In fact, the FIFO is NEVER cleared! The data in the FIFO remains valid until overwritten by another received character. Because of this, erroneous reading or extra reads of the receiver FIFO will miss-align the FIFO pointers and result in the reading of previously read data. A receiver reset will re-align the pointers.

## WAKE-UP MODE

In addition to the normal transmitter and receiver operation described above, the Octal UART incorporates a special mode which provides automatic wake-up of the receiver through address frame recognition for multiprocessor communications. This mode is selected by programming bits MR1[4:3] to ‘11’.

In this mode of operation, a ‘master’ station transmits an address character followed by data characters for the addressed ‘slave’ station. The slave stations, whose receivers are normally disabled, examine the received data stream and ‘wake-up’ the CPU [by setting RxDY] only upon receipt of an address character. The CPU compares the received address to its station address and enables the receiver if it wishes to receive the subsequent data characters. Upon receipt of another address character, the CPU may disable the receiver to initiate the process again.

A transmitted character consists of a start bit, the programmed number of data bits, an address/data (A/D) bit, and the programmed number of stop bits. The polarity of the transmitted A/D bit is selected by the CPU by programming bit MR1[2]; MR1[2] = 0 transmits a zero in the A/D bit position which identifies the corresponding data bits as data; MR1[2] = 1 transmits a one in the A/D bit position which identifies the corresponding data bits as an address. The CPU should program the mode register prior to loading the corresponding data bits in the THR.

While in this mode, the receiver continuously looks at the received data stream, whether it is enabled or disabled. If disabled, it sets the RxDY status bit and loads the character in the RHR FIFO if the received A/D bit is a one, but discards the received character if the received A/D bit is a zero. If enabled, all received characters are then transferred to the CPU via the RHR. In either case, the data bits are loaded in the data FIFO while the A/D bit is loaded in the status FIFO position normally used for parity error (SR[5]). Framing error, overrun error, and break detect operate normally whether or not the receiver is enabled.

## The CTS, RTS, CTS Enable Tx signals

CTS (Clear To Send) is usually meant to be a signal to the transmitter meaning that it may transmit data to the receiver. The CTS input is on pin MPIO for the transmitter. The CTS signal is active low; thus, it is called CTSN. RTS is usually meant to be a signal from the

## Enhanced octal universal asynchronous receiver/transmitter (Octal UART)

# SCC2698B

receiver indicating that the receiver is ready to receive data. It is also active low and is, thus, called RTSN. RTSN is on pin MPO. A receiver's RTS output will usually be connected to the CTS input of the associated transmitter. Therefore, one could say that RTS and CTS are different ends of the same wire!

MR2(4) is the bit that allows the transmitter to be controlled by the CTS pin (MPI0). When this bit is set to one AND the CTS input is driven high, the transmitter will stop sending data at the end of the present character being serialized. It is usually the RTS output of the receiver that will be connected to the transmitter's CTS input. The receiver will set RTS high when the receiver FIFO is full AND the start bit of the fourth character is sensed. Transmission then stops with four valid characters in the receiver. When MR2(4) is set to one, CTSN must be at zero for the transmitter to operate. If MR2(4) is set to zero, the MPI0 pin will have no effect on the operation of the transmitter.

MR1(7) is the bit that allows the receiver to control MPO. When MPO is controlled by the receiver, the meaning of that pin will be RTS. However, a point of confusion arises in that MPO may also be controlled by the transmitter. When the transmitter is controlling this pin, its meaning is not RTS at all. It is, rather, that the transmitter has finished sending its last data byte. Programming the MPO pin to be controlled by the receiver and the transmitter at the same time is allowed, but would usually be incompatible.

RTS can also be controlled by the commands 1000 and 1001 in the command register. RTS is expressed at the MP0 pin which is still an output port. Therefore, the state of MP0 should be set low (either by commands of the CR register or by writing to the Output Port Configuration Register) for the receiver to generate the proper RTS signal. The logic at the output is basically a NAND of the MPO bit register and the RTS signal as generated by the receiver. When the RTS flow control is selected via the MR1(7) bit the state of the MPO register is not changed. Terminating the use of "Flow Control" (via the MR registers) will return the MP0 pin to the control of the MPO register.

### Transmitter Disable Note

When the TxEMT bit is set the sequence of instructions: enable transmitter — load transmit holding register — disable transmitter will often result in nothing being sent. In the condition of the TxEMT being set do not issue the disable until the TxRDY bit goes active again after the character is loaded to the TxFIFO. The data is not sent if the time between the end of loading the transmit holding register and the disable command is less than 3/16 bit time in the 16x mode. One bit time in the 1x mode.

This is sometimes the condition when the RS485 automatic "turn-around" is enabled. It will also occur when only one character is to be sent and it is desired to disable the transmitter immediately after the character is loaded.

In general, when it is desired to disable the transmitter before the last character is sent AND the TxEMT bit is set in the status register

be sure the TxRDY bit is active immediately before issuing the transmitter disable instruction. (TxEMT is always set if the transmitter has underrun or has just been enabled), TxRDY sets at the end of the "start bit" time. It is during the start bit that the data in the transmit holding register is transferred to the transmit shift register.

### MULTI-PURPOSE INPUT PIN

The inputs to this unlatched 8-bit port for each block can be read by the CPU, by performing a read operation as shown in Table 1. A High input results in a logic one, while a Low input results in a logic zero. When the input port pins are read on the 84-pin LLCC, they will appear on the data bus in alternating pairs (i.e., DB0 = MP10a, DB1 = MP11a, DB2 = MPI0b, DB3 = MP11b, DB4 = MPP1a, DB5 = MPP2a, DB6 = MPP1b, DB7 = MPP2b. Although this example is shown for input port 'A', all ports will have a similar order).

The MPI pin can be programmed as an input to one of several Octal UART circuits. The function of the pin is selected by programming the appropriate control register. Change-of-state detectors are provided for MPI0 and MPI1 for each channel in each block. A High-to-Low or Low-to-High transition of the inputs lasting longer than 25 to 50µs sets the MPI change-of-state bit in the interrupt status register. The bit is cleared via a command. The change-of-state can be programmed to generate an interrupt to the CPU by setting the corresponding bit in the interrupt mask register.

The input port pulse detection circuitry uses a 38.4KHz sampling clock, derived from one of the baud rate generator taps. This produces a sampling period of slightly more than 25µs (assuming a 3.6864MHz oscillator input). The detection circuitry, in order to guarantee that a true change in level has occurred, requires two successive samples be observed at the new logic level. As a consequence, the minimum duration of the signal change is 25µs if the transition occurs coincident with the first sample pulse. (The 50µs time refers to the condition where the change-of-state is just missed and the first change of state is not detected until after an additional 25µs.)

### MULTI-PURPOSE I/O PINS

The multi-purpose pins (MPP) can be programmed as inputs or outputs using OPCR[7]. When programmed as inputs, the functions of the pins are selected by programming the appropriate control registers. When programmed as outputs, the two MPP1 pins (per block) will provide the transmitter ready (TxRDY) status for each channel and the MPP2 pins will provide the receiver ready or FIFO full (RxRDY/FFULL) status for each channel.

### MULTI-PURPOSE OUTPUT PIN

This pin can be programmed to serve as a request-to-send output, the counter/timer output, the output for the 1X or 16X transmitter or receiver clocks, the TxRDY output or the RxRDY/FFULL output (see OPCR [2:0] and OPCR [6:4] – MPO Output Select).

# Enhanced octal universal asynchronous receiver/transmitter (Octal UART)

SCC2698B

## REGISTERS

The operation of the Octal UART is programmed by writing control words into the appropriate registers. Operational feedback is provided via status registers which can be read by the CPU. Addressing of the registers is described in Table 1.

The bit formats of the Octal UART registers are depicted in Table 2. These are shown for block A. The bit format for the other blocks is the same.

### MR1 – Mode Register 1

MR1 is accessed when the MR pointer points to MR1. The pointer is set to MR1 by RESET or by a set pointer command applied via the CR. After reading or writing MR1, the pointers are set at MR2.

#### MR1[7] – Receiver Request-to-Send Control

This bit controls the deactivation of the RTSN output (MPO) by the receiver. This output is manually asserted and negated by commands applied via the command register. MR1[7] = 1 causes RTSN to be automatically negated upon receipt of a valid start bit if the receiver FIFO is full. RTSN is reasserted when an empty FIFO position is available. This feature can be used to prevent overrun in the receiver by using the RTSN output signal to control the CTS input of the transmitting device.

#### MR1[6] – Receiver Interrupt Select

This bit selects either the receiver ready status (RxRDY) or the FIFO full status (FFULL) to be used for CPU interrupts.

#### MR1[5] – Error Mode Select

This bit selects the operating mode of the three FIFOed status bits (FE, PE, received break). In the character mode, status is provided on a character-by-character basis; the status applies only to the character at the top of the FIFO. In the block mode, the status provided in the SR for these bits is the accumulation (logical-OR) of the status for all characters coming to the top of the FIFO since the last reset error command was issued.

#### MR1[4:3] – Parity Mode Select

If 'with parity' or 'force parity' is selected, a parity bit is added to the transmitted character and the receiver performs a parity check on incoming data. MR1[4:3] = 11 selects the channel to operate in the special wake-up mode.

#### MR1[2] – Parity Type Select

This bit selects the parity type (odd or even) if the 'with parity' mode is programmed by MR1[4:3], and the polarity of the forced parity bit if the 'force parity' mode is programmed. It has no effect if the 'no parity' mode is programmed. In the special 'wake-up' mode, it selects the polarity of the transmitted A/D bit.

#### MR1[1:0] – Bits Per Character Select

This field selects the number of data bits per character to be transmitted and received. The character length does not include the start, parity, and stop bits.

### MR2 – Mode Register 2

MR2 is accessed when the channel MR pointer points to MR2, which occurs after any access to MR1. Accesses to MR2 do not change the pointer.

#### MR2[7:6] – Mode Select

The Octal UART can operate in one of four modes. MR2[7:6] = 00 is the normal mode, with the transmitter and receiver operating independently. MR2[7:6] = 01 places the channel in the automatic echo mode, which automatically re-transmits the received data. The following conditions are true while in automatic echo mode:

1. Received data is re-clocked and retransmitted on the TxD output.
2. The receive clock is used for the transmitter.
3. The receiver must be enabled, but the transmitter need not be enabled.
4. The TxRDY and TxEMT status bits are inactive.
5. The received parity is checked, but is not regenerated for transmission, i.e., transmitted parity bit is as received.
6. Character framing is checked, but the stop bits are retransmitted as received.
7. A received break is echoed as received until the next valid start bit is detected.
8. CPU-to-receiver communication continues normally, but the CPU-to-transmitter link is disabled.

Two diagnostic modes can also be selected. MR2[7:6] = 10 selects local loopback mode. In this mode:

1. The transmitter output is internally connected to the receiver input.
2. The transmit clock is used for the receiver.
3. The TxD output is held high.
4. The RxD input is ignored.
5. The transmitter must be enabled, but the receiver need not be enabled.
6. CPU to transmitter and receiver communications continue normally.

The second diagnostic mode is the remote loopback mode, selected by MR2[7:6] = 11. In this mode:

1. Received data is re-clocked and retransmitted on the TXD output.
2. The receive clock is used for the transmitter.
3. Received data is not sent to the local CPU, and the error status conditions are inactive.
4. The received parity is not checked and is not regenerated for transmission, i.e., the transmitted parity bit is as received.
5. The receiver must be enabled, but the transmitter need not be enabled.
6. Character framing is not checked, and the stop bits are retransmitted as received.
7. A received break is echoed as received until the next valid start bit is detected.

The user must exercise care when switching into and out of the various modes. The selected mode will be activated immediately upon mode selection, even if this occurs in the middle of a received or transmitted character. Likewise, if a mode is deselected, the device will switch out of the mode immediately. An exception to this is switching out of autoecho or remote loopback modes; if the deselection occurs just after the receiver has sampled the stop bit (indicated in autoecho by assertion of RxRDY), and the transmitter is enabled, the transmitter will remain in autoecho mode until the entire stop bit has been retransmitted.



# Enhanced octal universal asynchronous receiver/transmitter (Octal UART)

SCC2698B

**Table 2. Register Bit Formats**

Bit 7	Bit 6	Bit 5	Bit 4	Bit 3	Bit 2	Bit 1	Bit 0
-------	-------	-------	-------	-------	-------	-------	-------

**MR1 (Mode Register 1)**

RxRTS Control	RxINT Select	Error Mode*	Parity Mode	Parity Type	Bits per Character
0 = No	0 = RxRDY	0 = Char	00 = With parity	0 = Even	00 = 5
1 = Yes	1 = FFULL	1 = Block	01 = Force parity	1 = Odd	01 = 6
			10 = No parity		10 = 7
			11 = Special mode		11 = 8

**NOTE:** \*In block error mode, block error conditions must be cleared by using the error reset command (command 4x) or a receiver reset.

**MR2 (Mode Register 2)**

Channel Mode	TxRTS Control	CTS Enable Tx	Stop Bit Length*			
00 = Normal			0 = 0.563	4 = 0.813	8 = 1.563	C = 1.813
01 = Auto-echo	0 = No	0 = No	1 = 0.625	5 = 0.875	9 = 1.625	C = 1.875
10 = Local loop	1 = Yes	1 = Yes	2 = 0.688	6 = 0.938	A = 1.688	E = 1.938
11 = Remote loop			3 = 0.750	7 = 1.000	B = 1.750	F = 2.000

**NOTE:** \*Add 0.5 to values shown above for 0–7, if channel is programmed for 5 bits/char.

**CR (Command Register)**

Miscellaneous Commands	Disable Tx	Enable Tx	Disable Rx	Enable Rx
See text	0 = No	0 = No	0 = No	0 = No
	1 = Yes	1 = Yes	1 = Yes	1 = Yes

**NOTE:** Access to the upper four bits of the command register should be separated by three (3) edges of the X1 clock. A disabled transmitter cannot be loaded

**SR (Status Register)**

Rec'd Break*	Framing Error*	Parity Error*	Overrun Error	TxE <sub>MT</sub>	TxR <sub>DY</sub>	FFULL	RxR <sub>DY</sub>
0 = No	0 = No	0 = No	0 = No	0 = No	0 = No	0 = No	0 = No
1 = Yes	1 = Yes	1 = Yes	1 = Yes	1 = Yes	1 = Yes	1 = Yes	1 = Yes

**NOTE:** \*These status bits are appended to the corresponding data character in the receive FIFO. A read of the status register provides these bits [7:5] from the top of the FIFO together with bits [4:0]. These bits are cleared by a reset error status command. In character mode, they must be reset when the corresponding data character is read from the FIFO. In block error mode, block error conditions must be cleared by using the error reset command (command 4x) or a receiver reset.

# Enhanced octal universal asynchronous receiver/transmitter (Octal UART)

SCC2698B

**Table 2. Register Bit Formats (Continued)**

Bit 7	Bit 6	Bit 5	Bit 4	Bit 3	Bit 2	Bit 1	Bit 0
-------	-------	-------	-------	-------	-------	-------	-------

**CSR (Clock Select Register)**

Receiver Clock Select	Transmitter Clock Select
See text	See text

\* See Table 5 for BRG Test frequencies in this data sheet, and "Extended baud rates for SCN2681, SCN68681, SCC2691, SCC2692, SCC68681 and SCC2698B" Philips Semiconductors ICs for Data Communications, IC-19, 1994.

**OPCR (Output Port Configuration Register)** This register controls the MPP I/O pins and the MPO multi-purpose output pins.

MPP Function Select	MPOb Pin Function Select	Power-Down Mode*	MPOa Pin Function Select
0 = input	000 = RTSN	0 = Off	000 = RTSN
1 = output	001 = C/TO	1 = On	001 = C/TO
	010 = TxC (1X)		010 = TxC (1X)
	011 = TxC (16X)		011 = TxC (16X)
	100 = RxC (1X)		100 = RxC (1X)
	101 = RxC (16X)		101 = RxC (16X)
	110 = TxRDY		110 = TxRDY
	111 = RxRDY/FF		111 = RxRDY/FF

**NOTE:** \*Only OPCR[3] in block A controls the power-down mode.

**ACR (Auxiliary Control Register)**

BRG Select	Counter/Timer Mode and Source	Delta MPI1bINT	Delta MPI0bINT	Delta MPI1aINT	Delta MPI0aINT
0 = set 1 1 = set 2	See Text	0 = off 1 = on	0 = off 1 = on	0 = off 1 = on	0 = off 1 = on

**IPCR (Input Port Change Register)**

Delta MPI1b	Delta MPI0b	Delta MPI1a	Delta MPI0a	MPI1b	MPI0b	MPI1a	MPI0a
0 = No 1 = Yes	0 = No 1 = Yes	0 = No 1 = Yes	0 = No 1 = Yes	0 = Low 1 = High	0 = Low 1 = High	0 = Low 1 = High	0 = Low 1 = High

**ISR (Interrupt Status Register)**

MPI Port Change	Delta BREAKb	RxRDY/FFULLb	TxRDYb	Counter Ready	Delta BREAKa	RxRDY/FFULLa	TxRDYa
0 = No 1 = Yes	0 = No 1 = Yes	0 = No 1 = Yes	0 = No 1 = Yes	0 = No 1 = Yes	0 = No 1 = Yes	0 = No 1 = Yes	0 = No 1 = Yes

**IMR (Interrupt Mask Register)**

MPI Port Change INT	Delta BREAKb INT	RxRDY/FFULLb INT	TxRDYb INT	Counter Ready INT	Delta BREAKa INT	RxRDY/FFULLa INT	TxRDYa INT
0 = off 1 = on	0 = off 1 = on	0 = off 1 = on	0 = off 1 = on	0 = off 1 = on	0 = off 1 = on	0 = off 1 = on	0 = off 1 = on

**CTPU (Counter/Timer Upper Register)**

C/T[15]	C/T[14]	C/T[13]	C/T[12]	C/T[11]	C/T[10]	C/T[9]	C/T[8]

**CTPU (Counter/Timer Lower Register)**

C/T[7]	C/T[6]	C/T[5]	C/T[4]	C/T[3]	C/T[2]	C/T[1]	C/T[0]

**IPR (Input Port Register) MPP and MPI Pins**

MPP2b	MPP1b	MPP2a	MPP1a	MPI1b	MPI0b	MPI1a	MPI0a
0 = Low 1 = High	0 = Low 1 = High	0 = Low 1 = High	0 = Low 1 = High	0 = Low 1 = High	0 = Low 1 = High	0 = Low 1 = High	0 = Low 1 = High

**NOTE:** When TxEMT and TxRDY bits are at one just before a write to the Transmit Holding register, a command to disable the transmitter should be delayed until the TxRDY is at one again. TxRDY will set to one at the end of the start bit time.



# Enhanced octal universal asynchronous receiver/transmitter (Octal UART)

SCC2698B

## MR2[5] – Transmitter Request-to-Send Control

CAUTION: When the transmitter controls the OP pin (usually used for the RTSN signal) the meaning of the pin is not RTSN at all! Rather, it signals that the transmitter has finished the transmission (i.e., end of block).

This bit allows deactivation of the RTSN output by the transmitter. This output is manually asserted and negated by the appropriate commands issued via the command register. MR2[5] set to 1 caused the RTSN to be reset automatically one bit time after the character(s) in the transmit shift register and in the THR (if any) are completely transmitted (including the programmed number of stop bits) if a previously issued transmitter disable is pending. This feature can be used to automatically terminate the transmission as follows:

1. Program the auto-reset mode: MR2[5]=1
2. Enable transmitter, if not already enabled
3. Assert RTSN via command
4. Send message
5. Disable the transmitter after the last byte of the message is loaded to the TxFIFO. At the time the disable command is issued, be sure that the transmitter ready bit is on and the transmitter empty bit is off. If the transmitter empty bit is on (indicating the transmitter is underrun) when the disable is issued, the last byte will not be sent.
6. The last character will be transmitted and the RTSN will be reset one bit time after the last stop bit is sent.

NOTE: The transmitter is in an underrun condition when both the TxRDY and the TxEMT bits are set. This condition also exists immediately after the transmitter is enabled from the disabled or reset state. When using the above procedure with the transmitter in the underrun condition, the issuing of the transmitter disable must be delayed from the loading of a single, or last, character until the TxRDY becomes active again after the character is loaded.

## MR2[4] – Clear-to-Send Control

The state of this bit determines if the CTSN input (MPI) controls the operation of the transmitter. If this bit is 0, CTSN has no effect on the transmitter. If this bit is a 1, the transmitter checks the state of CTSN each time it is ready to send a character. If it is asserted (Low), the character is transmitted. If it is negated (High), the TxD output remains in the marking state and the transmission is delayed until CTSN goes Low. Changes in CTSN, while a character is being transmitted do not affect the transmission of that character. This feature can be used to prevent overrun of a remote receiver.

## MR2[3:0] – Stop Bit Length Select

This field programs the length of the stop bit appended to the transmitted character. Stop bit lengths of 9/16 to 1 and 1–9/16 to 2 bits, in increments of 1/16 bit, can be programmed for character lengths of 6, 7, and 8 bits. For a character length of 5 bits, 1–1/16 to 2 stop bits can be programmed in increments of 1/16 bit. In all cases, the receiver only checks for a mark condition at the center of the first stop bit position (one bit time after the last data bit, or after the parity bit if parity is enabled). If an external 1X clock is used for the transmitter, MR2[3] = 0 selects one stop bit and MR2[3] = 1 selects two stop bits to be transmitted.

## CSR – Clock Select Register

Table 3. Baud Rate

CSR[7:4]	ACR[7] = 0	ACR[7] = 1
0 0 0 0	50	75
0 0 0 1	110	110
0 0 1 0	134.5	38.4k
0 0 1 1	200	150
0 1 0 0	300	300
0 1 0 1	600	600
0 1 1 0	1,200	1,200
0 1 1 1	1,050	2,000
1 0 0 0	2,400	2,400
1 0 0 1	4,800	4,800
1 0 1 0	7,200	1,800
1 0 1 1	9,600	9,600
1 1 0 0	38.4k	19.2k
1 1 0 1	Timer	Timer
1 1 1 0	MP2 – 16X	MP2 – 16X
1 1 1 1	MP2 – 1X	MP2 – 1X

The receiver clock is always a 16X clock, except for CSR[7:4] = 1111. When MPP2 is selected as the input, MPP2a is for channel a and MPP2b is for channel b. See Table 5.

## CSR[7:4] – Receiver Clock Select

When using a 3.6864MHz crystal or external clock input, this field selects the baud rate clock for the receiver as shown in Table 3.

## CSR[3:0] – Transmitter Clock Select

This field selects the baud rate clock for the transmitter. The field definition is as shown in Table 3, except as follows:

CSR[3:0]	ACR[7] = 0	ACR[7] = 1
1 1 1 0	MPP1 – 16X	MPP1 – 16X
1 1 1 1	MPP1 – 1X	MPP1 – 1X

When MPP1 is selected as the input, MPP1a is for channel a and MPP1b is for channel b.

## CR – Command Register

CR is used to write commands to the Octal UART.

## CR[7:4] – Miscellaneous Commands

The encoded value of this field can be used to specify a single command as follows:

NOTE: Access to the upper four bits of the command register should be separated by three (3) edges of the X1 clock.

0000	No command.
0001	Reset MR pointer. Causes the MR pointer to point to MR1.
0010	Reset receiver. Resets the receiver as if a hardware reset had been applied. The receiver is disabled and the FIFO pointer is reset to the first location.
0011	Reset transmitter. Resets the transmitter as if a hardware reset had been applied.
0100	Reset error status. Clears the received break, parity error, framing error, and overrun error bits in the status register (SR[7:4]). Used in character mode to clear OE status (although RB, PE, and FE bits will also be cleared), and in block mode to clear all error status after a block of data has been received.

# Enhanced octal universal asynchronous receiver/transmitter (Octal UART)

## SCC2698B

- 0101 Reset break change interrupt. Causes the break detect change bit in the interrupt status register (ISR[2 or 6]) to be cleared to zero.
- 0110 Start break. Forces the TxD output low (spacing). If the transmitter is empty, the start of the break condition will be delayed up to two bit times. If the transmitter is active, the break begins when transmission of the character is completed. If a character is in the THR, the start of break is delayed until that character or any others loaded after it have been transmitted (TxEMT must be true before break begins). The transmitter must be enabled to start a break
- 0111 Stop break. The TxD line will go high (marking) within two bit times. TxD will remain high for one bit time before the next character, if any, is transmitted.
- 1000 Assert RTSN. Causes the RTSN output to be asserted (Low).
- 1001 Negate RTSN. Causes the RTSN output to be negated (High).
- 1010 Set Timeout Mode On. The register in this channel will restart the C/T as each receive character is transferred from the shift register to the RHR. The C/T is placed in the counter mode, the START/STOP counter commands are disabled, the counter is stopped, and the Counter Ready Bit, ISR[3], is reset.
- 1011 Reserved.
- 1100 Disable Timeout Mode. This command returns control of the C/T to the regular START/STOP counter commands. It does not stop the counter, or clear any pending interrupts. After disabling the timeout mode, a 'Stop Counter' command should be issued.
- 1101 Reserved.
- 111x Reserved for testing.

### CR[3] – Disable Transmitter

This command terminates transmitter operation and resets the TxRDY and TxEMT status bits. However, if a character is being transmitted or if a character is in the THR when the transmitter is disabled, the transmission of the character(s) is completed before assuming the inactive state.

### CR[2] – Enable Transmitter

Enables operation of the transmitter. The TxRDY status bit will be asserted.

### CR[1] – Disable Receiver

This command terminates operation of the receiver immediately – a character being received will be lost. The command has no effect on the receiver status bits or any other control registers. If the special wake-up mode is programmed, the receiver operates even if it is disabled (see Wake-up Mode).

### CR[0] – Enable Receiver

Enables operation of the receiver. If not in the special wake-up mode, this also forces the receiver into the search for start bit state.

## SR – Channel Status Register

### SR[7] – Received Break

This bit indicates that an all zero character of the programmed length has been received without a stop bit. Only a single FIFO position is occupied when a break is received; further entries to the FIFO are inhibited until the RxDA line returns to the marking state for at least one-half bit time two successive edges of the internal or

external 1x clock. **This will usually require a high time of one X1 clock period or 3 X1 edges since the clock of the controller is not synchronous to the X1 clock.**

When this bit is set, the change in break bit in the ISR (ISR[6 or 2]) is set. ISR[6 or 2] is also set when the end of the break condition, as defined above, is detected. The break detect circuitry is capable of detecting breaks that originate in the middle of a received character. However, if a break begins in the middle of a character, it must last until the end of the next character in order for it to be detected.

### SR[6] – Framing Error (FE)

This bit, when set, indicates that a stop bit was not detected when the corresponding data character in the FIFO was received. The stop bit check is made in the middle of the first stop bit position.

### SR[5] – Parity Error (PE)

This bit is set when the 'with parity' or 'force parity' mode is programmed and the corresponding character in the FIFO was received with incorrect parity. In special 'wake-up mode', the parity error bit stores the received A/D bit.

### SR[4] – Overrun Error (OE)

This bit, when set, indicates that one or more characters in the received data stream have been lost. It is set upon receipt of a new character when the FIFO is full and a character is already in the receive shift register waiting for an empty FIFO position. When this occurs, the character in the receive shift register (and its break detect, parity error and framing error status, if any) is lost. This bit is cleared by a reset error status command.

### SR[3] – Transmitter Empty (TxEMT)

This bit will be set when the transmitter underruns, i.e., both the transmit holding register and the transmit shift register are empty. It is set after transmission of the last stop bit of a character. If no character is in the THR awaiting transmission. It is reset when the THR is loaded by the CPU, or when the transmitter is disabled.

### SR[2] – Transmitter Ready (TxRDY)

This bit, when set, indicates that the THR is empty and ready to be loaded with a character. This bit is cleared when the THR is loaded by the CPU and is set when the character is transferred to the transmit shift register. TxRDY is reset when the transmitter is disabled and is set when the transmitter is first enabled, e.g., characters loaded in the THR while the transmitter is disabled will not be transmitted.

### SR[1] – FIFO Full (FFULL)

This bit is set when a character is transferred from the receive shift register to the receive FIFO and the transfer causes the FIFO to become full, i.e., all three FIFO positions are occupied. It is reset when the CPU reads the FIFO and there is no character in the receive shift register. If a character is waiting in the receive shift register because the FIFO is full, FFULL is not reset after reading the FIFO once.

### SR[0] – Receiver Ready (RxRDY)

This bit indicates that a character has been received and is waiting in the FIFO to be read by the CPU. It is set when the character is transferred from the receive shift register to the FIFO and reset when the CPU reads the RHR, and no more characters are in the FIFO.

# Enhanced octal universal asynchronous receiver/transmitter (Octal UART)

SCC2698B

## OPCR – Output Port Configuration Register

### OPCR[7] – MPP Function Select

When this bit is a zero, the MPP pins function as inputs, to be used as general purpose inputs or as receiver or transmitter external clock inputs. When this bit is set, the MPP pins function as outputs. MPP1 will be a TxRDY indicator, and MPP2 will be an RxRDY/FFULL indicator.

### OPCR[6:4] – MPOb Output Select

This field programs the MPOb output pin to provide one of the following:

- 000 Request-to-send active-Low output (RTSN). This output is asserted and negated via the command register. Mode RTSN can be programmed to be automatically reset after the character in the transmitter is completely shifted out or when the receiver FIFO and receiver shift register are full using MR2[5] and MR1[7], respectively.
- 001 The counter/timer output. In the timer mode, this output is a square wave with a period of twice the value (in clock periods) of the contents of the CTPU and CTPL. In the counter mode, the output remains high until the terminal count is reached, at which time it goes low. The output returns to the High state when the counter is stopped by a stop counter command.
- 010 The 1X clock for the transmitter, which is the clock that shifts the transmitted data. If data is not being transmitted, a non-synchronized 1X clock is output.
- 011 The 16X clock for the transmitter. This is the clock selected by CSR[3:0], and is a 1X clock if CSR[3:0] = 1111.
- 100 The 1X clock for the receiver, which is the clock that samples the received data. If data is not being received, a non-synchronized 1X clock is output.
- 101 The 16X clock for the receiver. This is the clock selected by CSR[7:4], and is a 1X clock if CSR[7:4] = 1111.
- 110 The transmitter register ready signal, which is the same as SR[2].
- 111 The receiver ready or FIFO full signal.

### OPCR[3] – Power Down Mode Select

This bit, when set, selects the power-down mode. In this mode, the 2698B oscillator is stopped and all functions requiring this clock are suspended. The contents of all registers are saved. It is recommended that the transmitter and receiver be disabled prior to placing the 2698B in this mode. This bit is reset with RESET asserted. Note that this bit must be set to a logic 1 after power up. Only OPCR[3] in block A controls the power-down mode.

### OPCR[2:0] – MPOa Output Select

This field programs the MPOa output pin to provide one of the same functions as described in OPCR[6:4].

## ACR – Auxiliary Control Register

### ACR[7] – Baud Rate Generator Set Select

This bit selects one of two sets of baud rates generated by the BRG.

- Set 1: 50, 110, 134.5, 200, 300, 600, 1.05k, 1.2k, 2.4k, 4.8k, 7.2k, 9.6k, and 38.4k baud.
- Set 2: 75, 110, 150, 300, 600, 1.2k, 1.8k, 2.0k, 2.4k, 4.8k, 9.6k, 19.2k, and 38.4k baud.

The selected set of rates is available for use by the receiver and transmitter.

### ACR[6:4] – Counter/Timer Mode and Clock Source Select

This field selects the operating mode of the counter/timer and its clock source (see Table 4).

The MPI1 pin available as the Counter/Timer clock source is MPI1 a,c,e, and g only.

**Table 4. ACR[6:4] Operating Mode**

[6:4]	Mode	Clock Source
0 0 0	Counter	MPI1a pin
0 0 1	Counter	MPI1a pin divided by 16
0 1 0	Counter	TxC–1XA clock of the transmitter
0 1 1	Counter	Crystal or MPI pin (X1/CLK) divided by 16
1 0 0	Timer	MPI1a pin
1 0 1	Timer	MPI1a pin divided by 16
1 1 0	Timer	Crystal or external clock (X1/CLK)
1 1 1	Timer	Crystal or MPI pin (X1/CLK) divided by 16

NOTE: The timer mode generates a squarewave.

### ACR[3:0] – MPI1b, MPI0b, MPI1a, MPI0a Change-of-State Interrupt Enable

This field selects which bits of the input port change register (IPCR) cause the input change bit in the interrupt status register, ISR[7], to be set. If a bit is in the 'on' state, the setting of the corresponding bit in the IPCR will also result in the setting of ISR[7], which results in the generation of an interrupt output if IMR[7] = 1. If a bit is in the 'off' state, the setting of that bit in the IPCR has no effect on ISR[7].

## IPCR – Input Port Change Register

### IPCR[7:4] – MPI1b, MPI0b, MPI1a, MPI0a Change-of-State

These bits are set when a change of state, as defined in the Input Port section of this data sheet, occurs at the respective pins. They are cleared when the IPCR is read by the CPU. A read of the IPCR also clears ISR[7], the input change bit in the interrupt status register. The setting of these bits can be programmed to generate an interrupt to the CPU.

### IPCR[3:0] – MPI1b, MPI0b, MPI1a, MPI0a Change-of-State

These bits provide the current state of the respective inputs. The information is unlatched and reflects the state of the inputs pins during the time the IPCR is read.

## ISR – Interrupt Status Register

This register provides the status of all potential interrupt sources. The contents of this register are masked by the interrupt mask register (IMR). If a bit in the ISR is a '1' and the corresponding bit in the IMR is also a '1', the INTRN output is asserted (Low). If the corresponding bit in the IMR is a zero, the state of the bit in the ISR has no effect on the INTRN output. Note that the IMR does not mask the reading of the ISR; the true status is provided regardless of the contents of the IMR.

# Enhanced octal universal asynchronous receiver/transmitter (Octal UART)

## SCC2698B

### ISR[7] – MPI Change-of-State

This bit is set when a change-of-state occurs at the MPI1b, MPI0b, MPI1a, MPI0a input pins. It is reset when the CPU reads the IPCR.

### ISR[6] – Channel b Change in Break

This bit, when set, indicates that the receiver has detected the beginning or the end of a received break. It is reset when the CPU issues a reset break change interrupt command.

### ISR[5] – Receiver Ready or FIFO Full Channel b

The function of this bit is programmed by MR1[6]. If programmed as receiver ready, it indicates that a character has been received and is waiting in the FIFO to be read by the CPU. It is set when the character is transferred from the receive shift register to the FIFO and reset when the CPU reads the receiver FIFO. If the FIFO contains more characters, the bit will be set again after the FIFO is read.

If programmed as FIFO full, it is set when a character is transferred from the receive holding register to the receive FIFO and the transfer causes the FIFO to become full, i.e., all three FIFO positions are occupied. It is reset when FIFO is read and there is no character in the receiver shift register. If there is a character waiting in the receive shift register because the FIFO is full, the bit is set again when the waiting character is transferred into the FIFO.

### ISR[4] – Transmitter Ready Channel b

This bit is a duplicate of TxRDY (SR[2]).

### ISR[3] – Counter Ready

In the counter mode of operation, this bit is set when the counter reaches terminal count and is reset when the counter is stopped by a stop counter command. It is initialized to '0' when the chip is reset.

In the timer mode, this bit is set once each cycle of the generated square wave (every other time the C/T reaches zero count). The bit is reset by a stop counter command. The command, however, does not stop the C/T.

### ISR[2] – Channel a Change in Break

This bit, when set, indicates that the receiver has detected the beginning or the end of a received break. It is reset when the CPU issues a reset break change interrupt command.

### ISR[1] – Receiver Ready or FIFO Full Channel a

The function of this bit is programmed by MR1[6]. If programmed as receiver ready, it indicates that a character has been received and is waiting in the FIFO to be ready by the CPU. It is set when the character is transferred from the receive shift register to the FIFO and reset when the CPU reads the receiver FIFO. If the FIFO contains more characters, the bit will be set again after the FIFO is read. If programmed as FIFO full, it is set when a character is transferred from the receive holding register to the receive FIFO and the transfer causes the FIFO to become full, i.e., all three FIFO positions are occupied. It is reset when FIFO is read and there is no character in the receiver shift register. If there is a character waiting in the receive shift register because the FIFO is full, the bit is set again when the waiting character is transferred into the FIFO.

### ISR[0] – Transmitter Ready Channel a

This bit is a duplicate of TxRDY (SR[2]).

### IMR – Interrupt Mask Register

The programming of this register selects which bits in the ISR cause an interrupt output. If a bit in the ISR is a '1' and the corresponding

bit in the IMR is a '1', the INTRN output is asserted (Low). If the corresponding bit in the IMR is a zero, the state of the bit in the ISR has no effect on the INTRN output. Note that the IMR does not mask reading of the ISR.

### CTPU and CTPL – Counter/Timer Registers

The CTPU and CTPL hold the eight MSBs and eight LSBs, respectively, of the value to be used by the counter/timer in either the counter or timer modes of operation. The minimum value which may be loaded into the CTPU/CTPL registers is H'0002'. Note that these registers are write-only and cannot be read by the CPU.

In the timer (programmable divider) mode, the C/T generates a square wave with a period of twice the value (in clock periods) of the CTPU and CTPL. The waveform so generated is often used for a data clock. The formula for calculating the divisor n to load to the CTPU and CTPL for a particular 1X data clock is shown below:

$$n = \frac{\text{C/T Clock Frequency}}{2 \times 16 \text{ Baud rate desired}}$$

Often this division will result in a non-integer number; 26.3, for example. One can only program integer numbers in a digital divider. Therefore, 26 would be chosen. This gives a baud rate error of 0.3/26.3 which is 1.14%; well within the ability asynchronous mode of operation.

If the value in CTPU or CTPL is changed, the current half-period will not be affected, but subsequent half-periods will be. The C/T will not be running until it receives an initial 'Start Counter' command (read at address A3–A0 = 1110). After this, while in timer mode, the C/T will run continuously. Receipt of a subsequent start counter command causes the C/T to terminate the current timing cycle and to begin a new cycle using the values in the CTPU and CTPL.

The counter ready status bit (ISR[3]) is set once each cycle of the square wave. The bit is reset by a stop counter command read with A3–A0 = H'F'). The command, however, does not stop the C/T. The generated square wave is output on MPO if it is programmed to be the C/T output.

In the counter mode, the C/T counts down the number of pulses loaded in CTPU and CTPL by the CPU. Counting begins upon receipt of a start counter command. Upon reaching the terminal count H'0000', the counter ready interrupt bit (ISR[3]) is set. The counter continues counting past the terminal count until stopped by the CPU. If MPO is programmed to be the output of the C/T, the output remains High until the terminal count is reached, at which time it goes Low. The output returns to the High state and ISR[3] is cleared when the counter is stopped by a stop counter command. The CPU may change the values of CTPU and CTPL at any time, but the new count becomes effective only on the next start counter command. If new values have not been loaded, the previous values are preserved and used for the next count cycle.

In the counter mode, the current value of the upper and lower eight bits of the counter (CTU, CTL) may be read by the CPU. It is recommended that the counter be stopped when reading to prevent potential problems which may occur if a carry from the lower eight bits to the upper eight bits occurs between the times that both halves of the counter is read. However, note that a subsequent start counter command will cause the counter to begin a new count cycle using the values in CTPU and CTPL.



# Enhanced octal universal asynchronous receiver/transmitter (Octal UART)

## SCC2698B

### DC ELECTRICAL CHARACTERISTICS<sup>1, 2, 3</sup> $T_A = 0$ to $+70^\circ$ , $V_{CC} = 5.0\text{ V} \pm 10\%$ , $-40$ to $85^\circ\text{C}$

SYMBOL	PARAMETER	TEST CONDITIONS	LIMITS			UNIT
			Min	Typ	Max	
$V_{IL}$	Input low voltage				0.8	V
$V_{IH}$	Input high voltage (except X1/CLK)		2.0			V
$V_{IH}$	Input high voltage (X1/CLK)		$0.8V_{CC}$			V
$V_{OL}$	Output Low voltage	$I_{OL} = 2.4\text{mA}$			0.4	V
$V_{OH}$	Output High voltage (except OD outputs)	$I_{OH} = -400\mu\text{A}$ $I_{OH} = -100\mu\text{A}$	$0.8V_{CC}$ $0.9V_{CC}$			V V
$I_{IL}$	Input current Low, MPI and MPP pins	$V_{IN} = 0$	-50		20	$\mu\text{A}$
$I_{IH}$	Input current High, MPI and MPP pins	$V_{IN} = V_{CC}$				$\mu\text{A}$
$I_I$	Input leakage current	$V_{IN} = 0$ to $V_{CC}$	-10		10	$\mu\text{A}$
$I_{ILX1}$	X1/CLK input Low current	$V_{IN} = \text{GND}$ , X2 = open	-100			$\mu\text{A}$
$I_{IHX1}$	X1/CLK input High current	$V_{IN} = V_{CC}$ , X2 = open			100	$\mu\text{A}$
$I_{OZH}$	Output off current High, 3-State data bus	$V_{IN} = V_{CC}$	-10		10	$\mu\text{A}$
$I_{OZL}$	Output off current Low, 3-State data bus	$V_{IN} = 0$				
$I_{ODL}$	Open-drain output Low current in off state: IRQN	$V_{IN} = V_{CC}$	-10			$\mu\text{A}$
$I_{ODH}$	Open-drain output Low current in off state: IRQN	$V_{IN} = 0$			10	$\mu\text{A}$
$I_{CC}$	Power supply current Operating mode				30	mA
	Power down mode <sup>9</sup>				2.0	mA

#### NOTES:

- Parameters are valid over specified temperature range. See ordering information table for applicable temperature range and operating supply range.
- All voltage measurements are referenced to ground (GND). For testing, all inputs swing between 0.4V and 2.4V with a transition time of 20ns maximum. For X1/CLK this swing is between 0.4V and 4.4V. All time measurements are referenced at input voltages of  $V_{IL}$  and  $V_{IH}$ , as appropriate.
- Typical values are at  $+25^\circ\text{C}$ , typical supply voltages, and typical processing parameters.
- Test condition for interrupt and MPP outputs:  $C_L = 50\text{pF}$ ,  $R_L = 2.7\text{k}\Omega$  to  $V_{CC}$ . Test conditions for rest of outputs:  $C_L = 150\text{pF}$ .
- Timing is illustrated and referenced to the WRN and RDN inputs. The device may also be operated with CEN as the 'strobing' input. CEN and RDN (also CEN and WRN) are ANDed internally. As a consequence, the signal asserted last initiates the cycle and the signal negated first terminates the cycle.
- If CEN is used as the 'strobing' input, the parameter defines the minimum high times between one CEN and the next. The RDN signal must be negated for  $t_{RWD}$  guarantee that any status register changes are valid.
- Consecutive write operations to the command register require at least three edges of the X1 clock between writes.
- This value is not tested, but is guaranteed by design.
- See UART applications note for power down currents less than  $5\mu\text{A}$ .
- Operation to 0MHz is assured by design. Minimum test frequency is 2MHz.
- Address is latched on leading edge of read or write cycle.

# Enhanced octal universal asynchronous receiver/transmitter (Octal UART)

SCC2698B

## AC Electrical characteristics<sup>1, 2, 3, 4</sup> $T_A = 0$ to $+70^\circ$ , $V_{CC} = 5.0\text{ V} \pm 10\%$ , $-40$ to $85^\circ\text{C}$

SYMBOL	FIGURE	PARAMETER	LIMITS			UNIT
			Min	Typ	Max	
<b>Reset timing</b>						
$t_{RES}$	5	Reset pulse width	200			ns
<b>Bus timing<sup>5</sup></b>						
$t_{HS}$	6	A0–A5 setup time to RDN, WRN Low	10			ns
$t_{AH}^{11}$	6	A0–A5 hold time from RDN, WRN Low	100			ns
$t_{CS}^6$	6	CEN setup time to RDN, WRN Low	0			ns
$t_{CH}^6$	6	CEN hold time from RDN, WRN High	0			ns
$t_{RW}$	6	WRN, RDN pulse width Low	225			ns
$t_{DD}$	6	Data valid after RDN Low			200	ns
$t_{DF}$	6	Data bus floating after RDN High			80	ns
$t_{DS}$	6	Data setup time before WRN High	100			ns
$t_{DH}$	6	Data hold time after WRN High	10			ns
$t_{RWD}^7$		Time between reads and/or writes	100			ns
<b>MPI and MPO timing<sup>5</sup></b>						
$t_{PS}$	7	MPI or MPP input setup time before RDN Low	0			ns
$t_{PH}$	7	MPI or MPP input hold time after RDN High	0			ns
$t_{PD}$	7	MPO output valid from WRN High RDN Low			250 250	ns ns
<b>Interrupt timing</b>						
$t_{IR}$	8	INTRN negated or MPP output High from: Read RHR (RxRDY/FFULL interrupt) Write THR (TxRDY interrupt) Reset command (break change interrupt) Reset command (MPI change interrupt) Stop C/T command (counter interrupt) Write IMR (clear of interrupt mask bit)			270 270 270 270 270 270	ns ns ns ns ns ns
<b>Clock timing</b>						
$t_{CLK}$	9	X1/CLK high or low time	120			ns
$t_{CLK}$	9	X1/CLK frequency <sup>10</sup>	0	3.6864	4.0	MHz
$t_{CTC}$	9	Counter/timer clock high or low time	120			ns
$f_{CTC}$	9	Counter/timer clock frequency	0 <sup>8</sup>		4.0	MHz
$t_{RX}$	9	RxC high or low time	200			ns
$f_{RX}$	9	RxC frequency (16X) RxC frequency (1X)	0 <sup>8</sup> 0 <sup>8</sup>		2.0 1.0	MHz MHz
$t_{TX}$	9	TxC high or low time	200			ns
$f_{TX}$	9	TxC frequency (16X) TxC frequency (1X)	0 <sup>8</sup> 0 <sup>8</sup>		2.0 1.0	MHz MHz
<b>Transmitter timing</b>						
$t_{TXD}$	10	TxD output delay from TxC low			350	ns
$t_{TCS}$	10	TxC output delay from TxD output data	0		150	ns
<b>Receiver timing</b>						
$t_{RXS}$	11	RxD data setup time to RxC high	50			ns
$t_{RXH}$	11	RxD data hold time from RxC high	100			ns



# Enhanced octal universal asynchronous receiver/transmitter (Octal UART)

SCC2698B

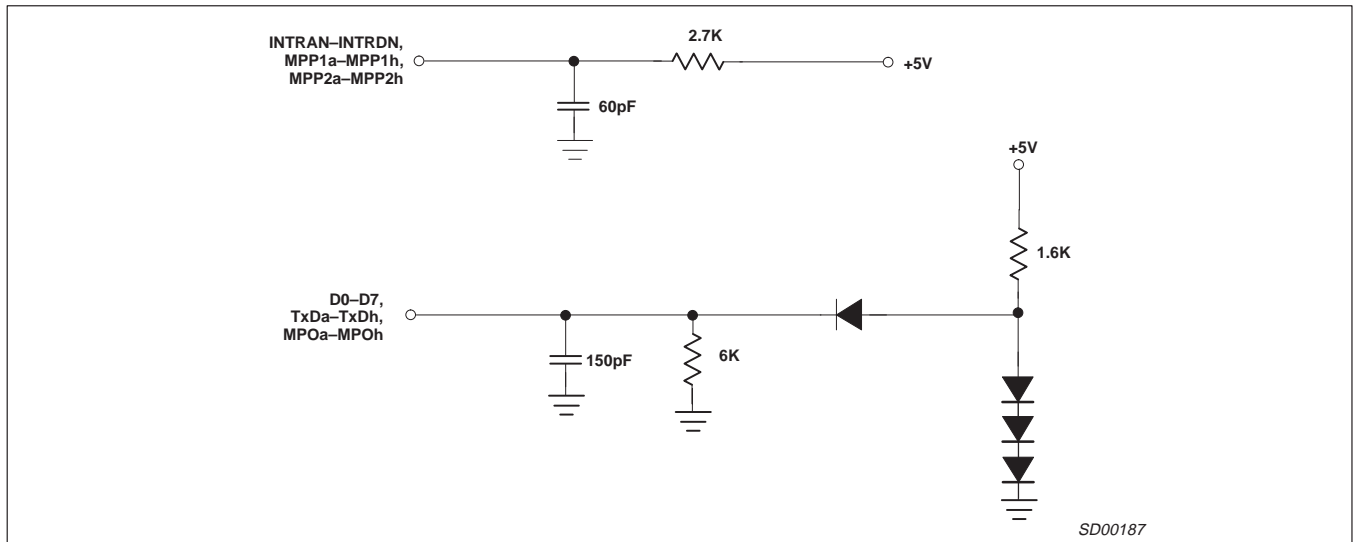


Figure 4. Test Conditions on Outputs

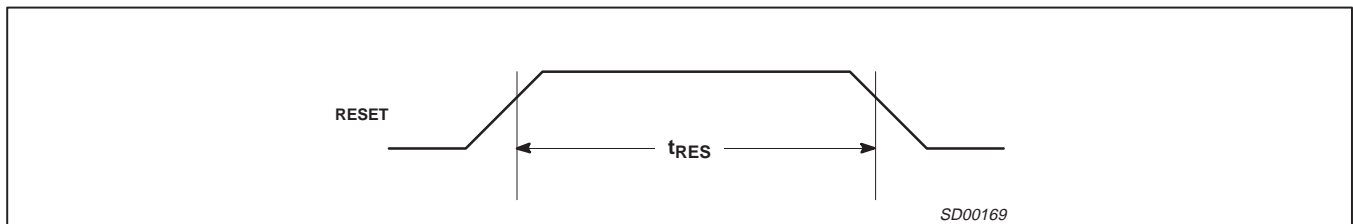


Figure 5. Reset Timing

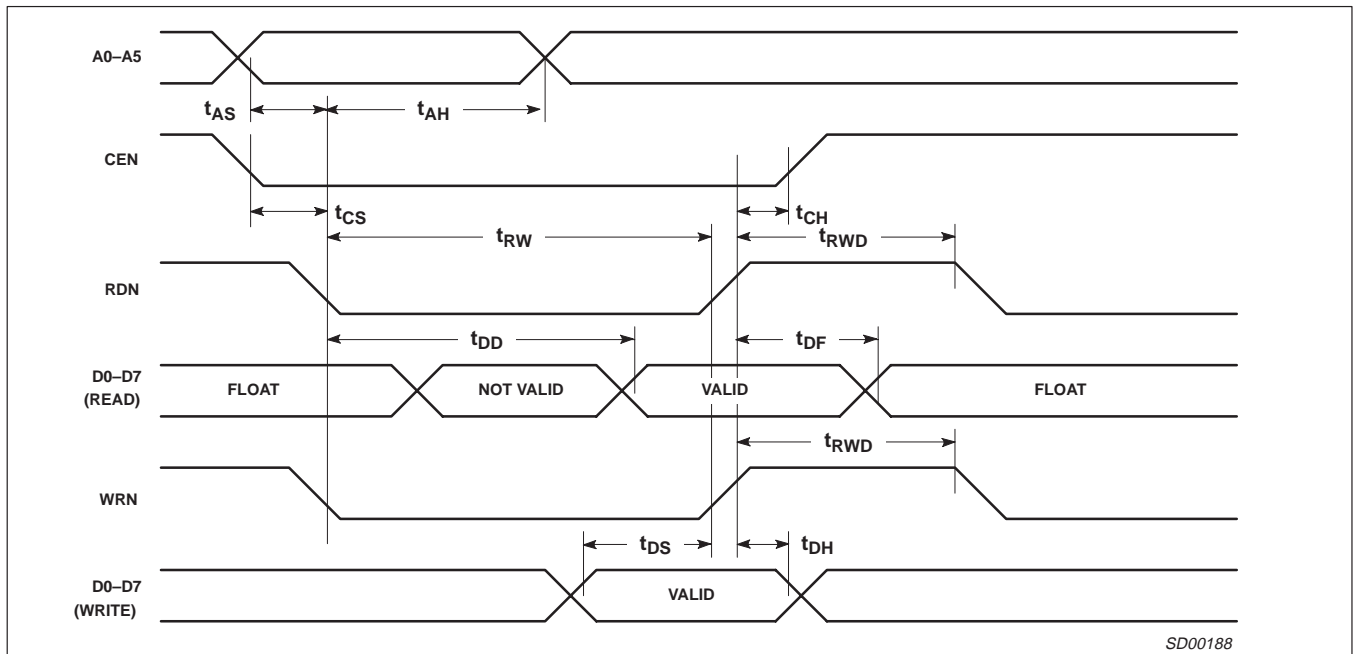
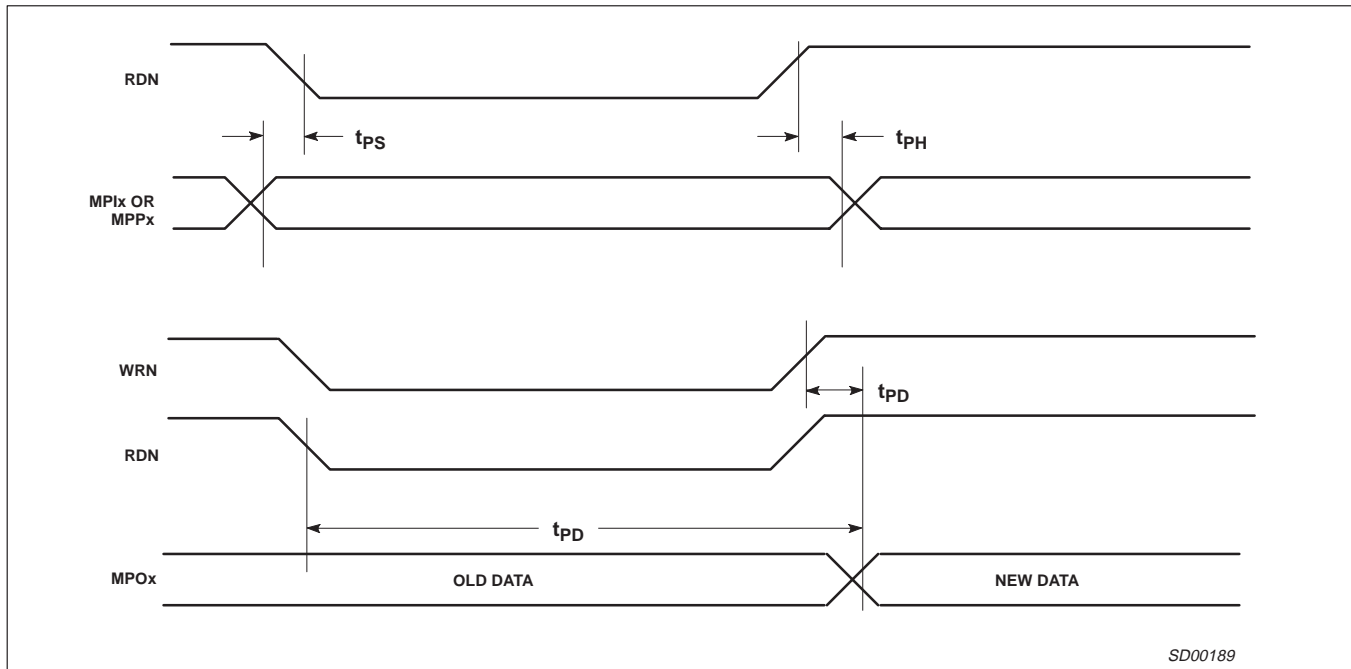


Figure 6. Bus Timing

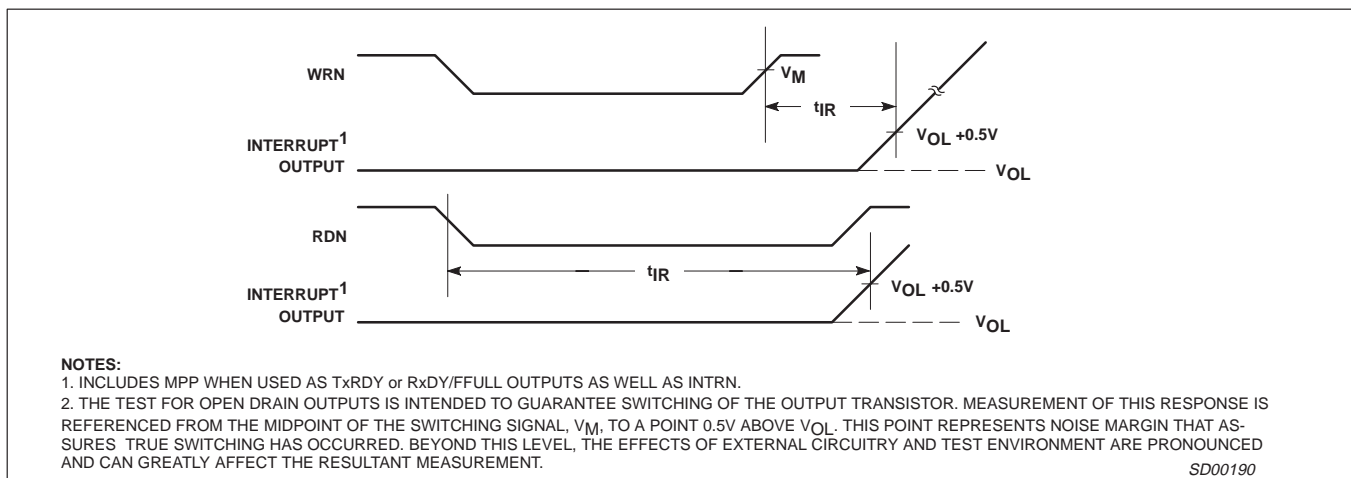
# Enhanced octal universal asynchronous receiver/transmitter (Octal UART)

SCC2698B



SD00189

Figure 7. Port Timing



**NOTES:**

1. INCLUDES MPP WHEN USED AS TxRDY or RxDY/FFULL OUTPUTS AS WELL AS INTRN.
2. THE TEST FOR OPEN DRAIN OUTPUTS IS INTENDED TO GUARANTEE SWITCHING OF THE OUTPUT TRANSISTOR. MEASUREMENT OF THIS RESPONSE IS REFERENCED FROM THE MIDPOINT OF THE SWITCHING SIGNAL,  $V_M$ , TO A POINT 0.5V ABOVE  $V_{OL}$ . THIS POINT REPRESENTS NOISE MARGIN THAT ASSURES TRUE SWITCHING HAS OCCURRED. BEYOND THIS LEVEL, THE EFFECTS OF EXTERNAL CIRCUITRY AND TEST ENVIRONMENT ARE PRONOUNCED AND CAN GREATLY AFFECT THE RESULTANT MEASUREMENT.

SD00190

Figure 8. Interrupt Timing

# Enhanced octal universal asynchronous receiver/transmitter (Octal UART)

## SCC2698B

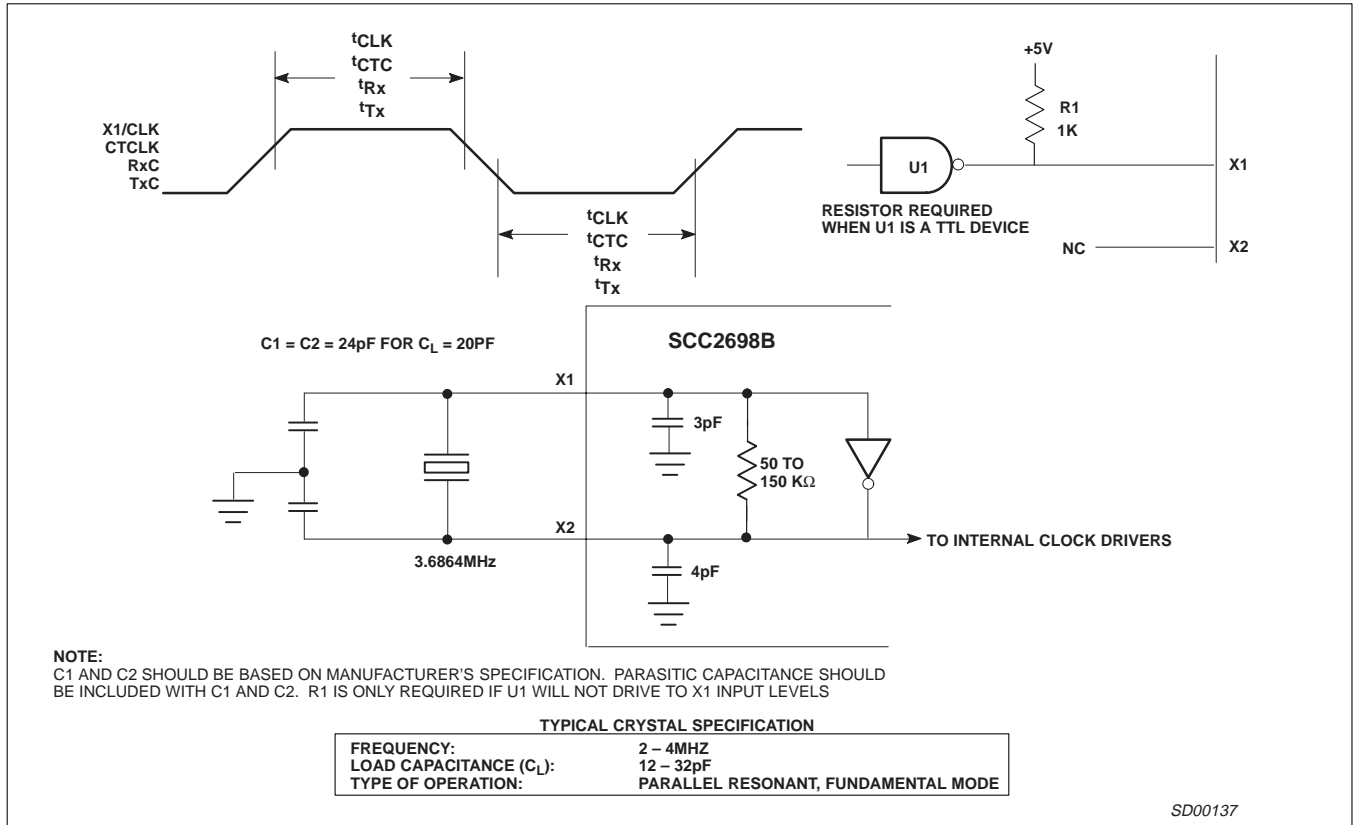


Figure 9. Clock Timing

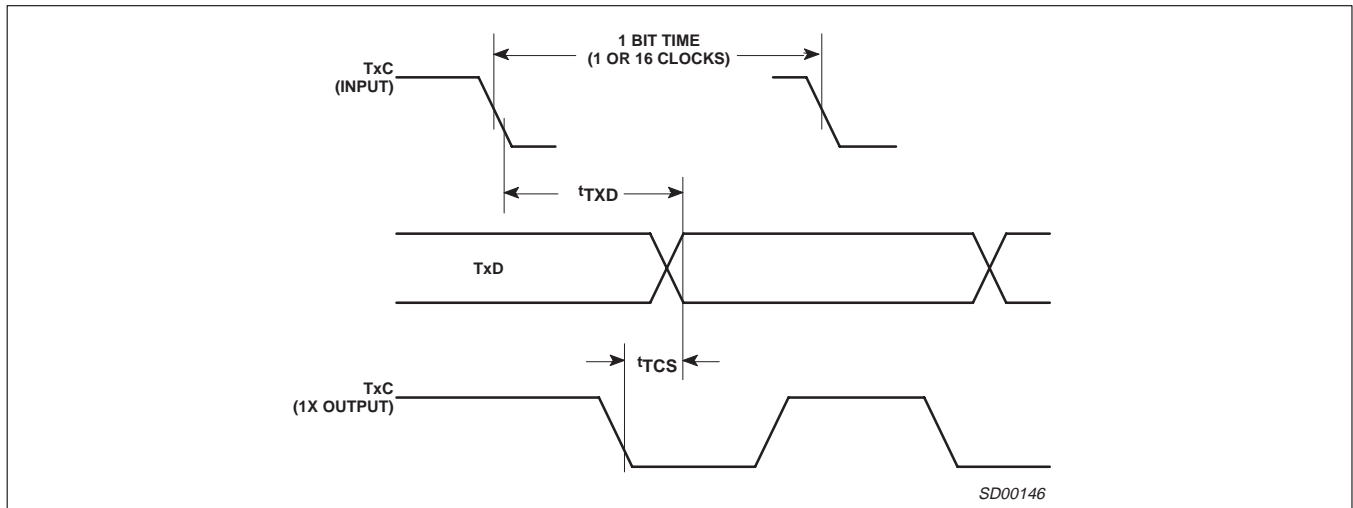
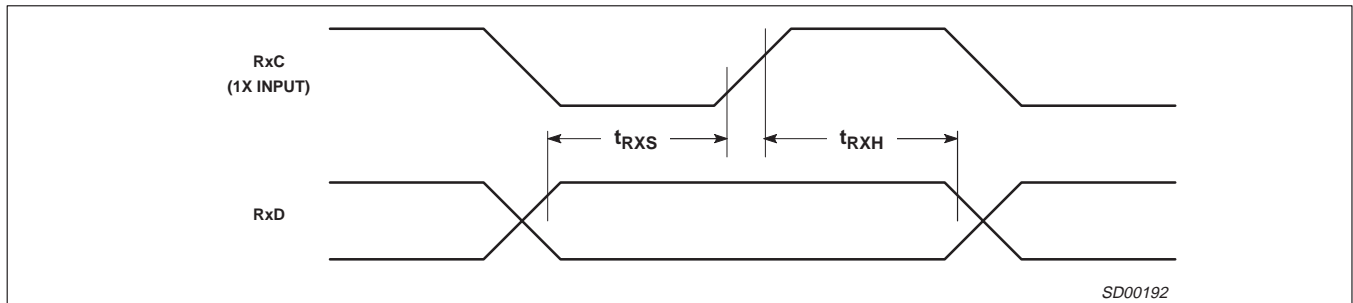


Figure 10. Transmit Timing

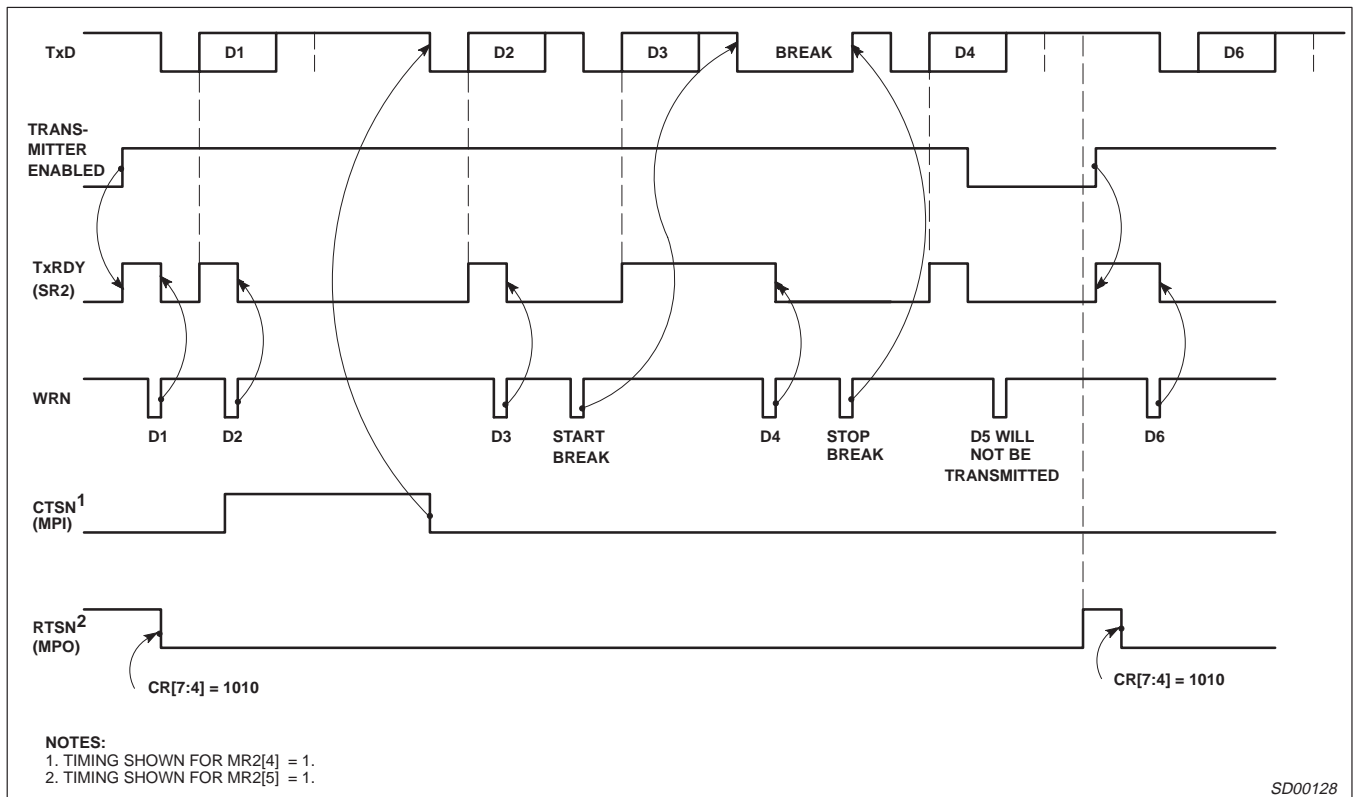
# Enhanced octal universal asynchronous receiver/transmitter (Octal UART)

SCC2698B



SD00192

Figure 11. Receive Timing



SD00128

Figure 12. Transmitter Timing

# Enhanced octal universal asynchronous receiver/transmitter (Octal UART)

SCC2698B

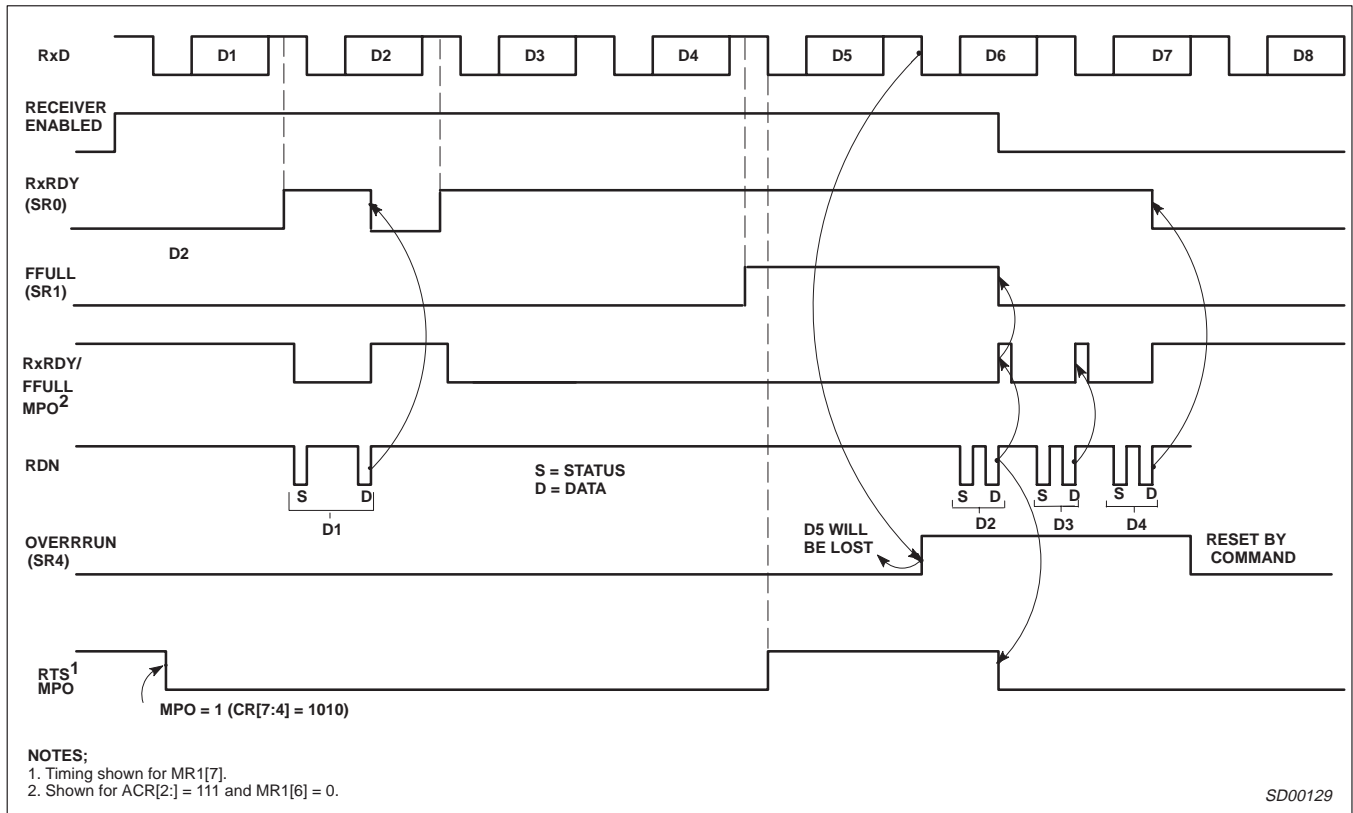


Figure 13. Receiver Timing

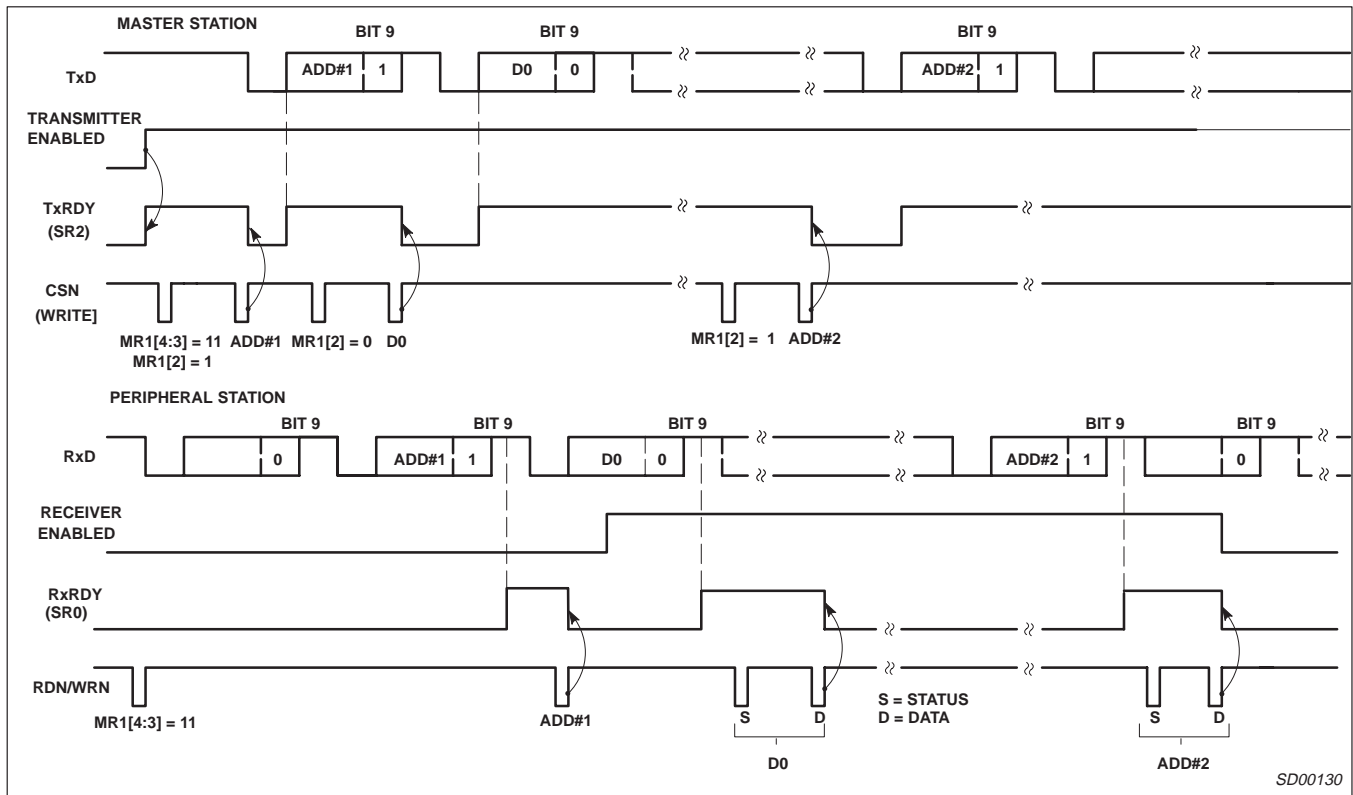


Figure 14. Wake-Up Mode

# Enhanced octal universal asynchronous receiver/transmitter (Octal UART)

SCC2698B

**Table 5. Baud Rates Extended**

CSR[7:4]	Normal BRG		BRG Test	
	ACR[7] = 0	ACR[7] = 1	ACR[7] = 0	ACR[7] = 1
0000	50	75	4,800	7,200
0001	110	110	880	880
0010	134.5	38.4K	1,076	38.4K
0011	200	150	19.2K	14.4K
0100	300	300	28.8K	28.8K
0101	600	600	57.6K	57.6K
0110	1,200	1,200	115.2K	115.2K
0111	1,050	2,000	1,050	2,000
1000	2,400	2,400	57.6K	57.6K
1001	4,800	4,800	4,800	4,800
1010	7,200	1,800	57.6K	14.4K
1011	9,600	9,600	9,600	9,600
1100	38.4K	19.2K	38.4K	19.2K
1101	Timer	Timer	Timer	Timer
1110	I/O2 – 16X	I/O2 – 16X	I/O2 – 16X	I/O2 – 16X
1111	I/O2 – 1X	I/O2 – 1X	I/O2 – 1X	I/O2 – 1X

**NOTE:**

Each read on address H'2' will toggle the baud rate test mode. When in the BRG test mode, the baud rates change as shown to the left. This change affects all receivers and transmitters on the DUART.

The test mode at address H'A' changes all transmitters and receivers to the 1x mode and connects the output ports to some internal nodes.

**Receiver Reset in the Normal Mode (Receiver Enabled)**

Reset can be accomplished easily by issuing a receiver software or hardware reset followed by a receiver enable. All receiver data, status and programming will be preserved and available before reset. The reset will NOT affect the programming.

**Receiver Reset in the Wake-Up Mode (MR1[4:3] = 11)**

Reset can also be accomplished easily by first exiting the wake-up mode (MR1[4:3] = 00 or 01 or 10), then issuing a receiver software or hardware reset followed by a wake-up re-entry (MR1[4:3] = 11). All receiver data, status and programming will be preserved and available before reset. The reset will NOT affect other programming.

The reason for this is the receiver is partially enabled when the parity bits are at '11'. Thus the receiver disable and reset is bypassed by the partial enabling of the receiver.

SD00097

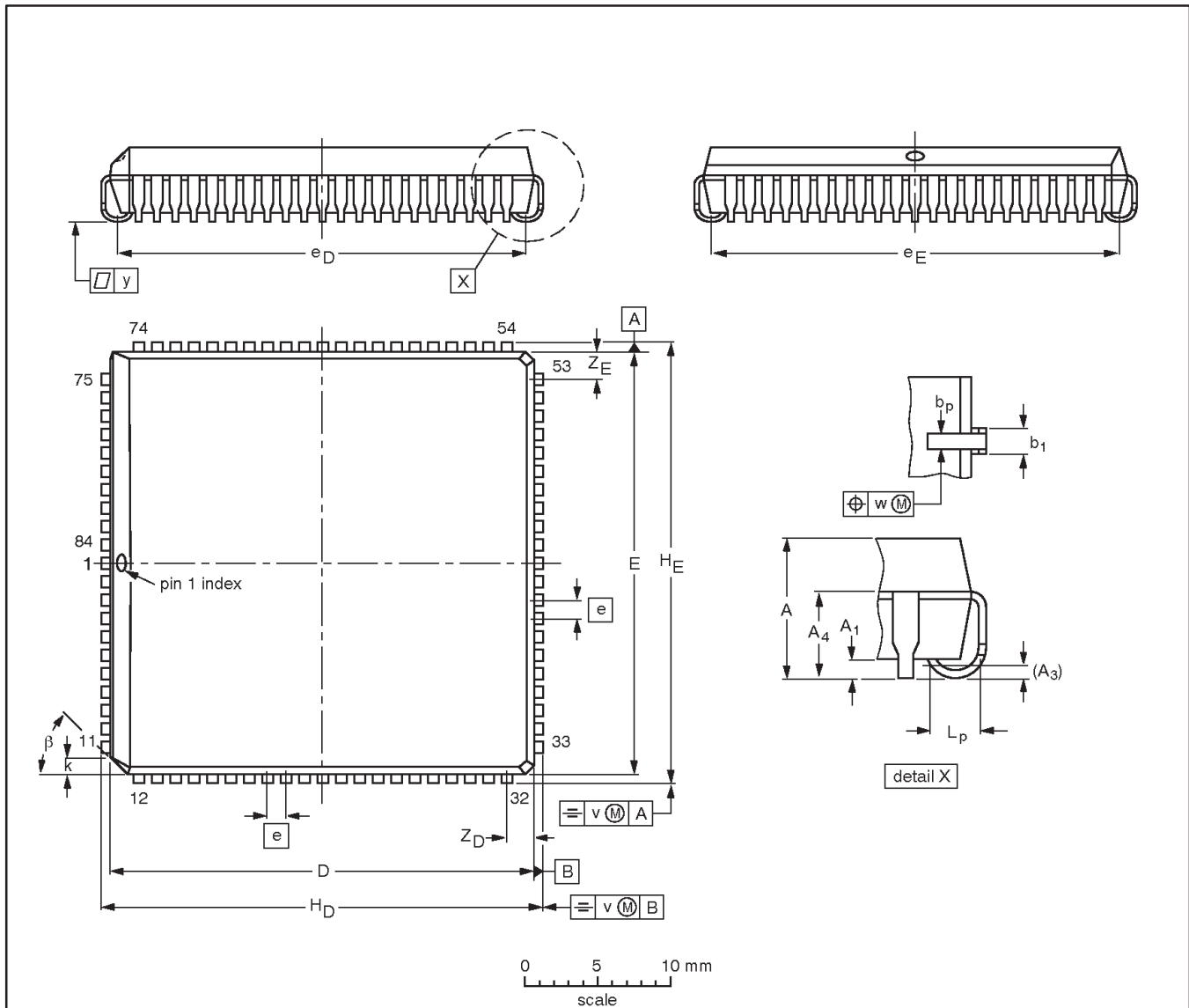


# Enhanced octal universal asynchronous receiver/transmitter (Octal UART)

## SCC2698B

PLCC84: plastic leaded chip carrier; 84 leads

SOT189-2



**DIMENSIONS (mm dimensions are derived from the original inch dimensions)**

UNIT	A	A <sub>1</sub> min.	A <sub>3</sub>	A <sub>4</sub> max.	b <sub>p</sub>	b <sub>1</sub>	D <sup>(1)</sup>	E <sup>(1)</sup>	e	e <sub>D</sub>	e <sub>E</sub>	H <sub>D</sub>	H <sub>E</sub>	k	L <sub>p</sub>	v	w	y	Z <sub>D</sub> <sup>(1)</sup> max.	Z <sub>E</sub> <sup>(1)</sup> max.	β
mm	4.57 4.19	0.51	0.25	3.30	0.53 0.33	0.81 0.66	29.41 29.21	29.41 29.21	1.27	28.70 27.69	28.70 27.69	30.35 30.10	30.35 30.10	1.22 1.07	1.44 1.02	0.18	0.18	0.1	2.16	2.16	45°
inches	0.180 0.165	0.02	0.01	0.13	0.021 0.013	0.032 0.026	1.158 1.150	1.158 1.150	0.05	1.13 1.09	1.13 1.09	1.195 1.185	1.195 1.185	0.048 0.042	0.057 0.040	0.007	0.007	0.004	0.085	0.085	

**Note**

1. Plastic or metal protrusions of 0.25 mm (0.01 inch) maximum per side are not included.

OUTLINE VERSION	REFERENCES				EUROPEAN PROJECTION	ISSUE DATE
	IEC	JEDEC	JEITA			
SOT189-2	112E13	MS-018	EDR-7319			99-12-27 01-11-14

---

**Enhanced octal universal asynchronous  
receiver/transmitter (Octal UART)**

---

**SCC2698B****REVISION HISTORY**

Rev	Date	Description
_4	20060807	<b>Product data sheet (9397 750 14949). Supersedes data of 2000 Jan 31.</b> Modifications: <ul style="list-style-type: none"><li>• Ordering information: changed Version for PLCC68 from SOT189-3 to SOT189-2</li><li>• Changed package outline drawing from SOT189-3 to SOT189-2.</li></ul>
_3	20000131	<b>Product specification (9397 750 06828). ECN 853-1127 23062. Supersedes data of 1998 Sep 04.</b>
_2	19980904	

# Enhanced octal universal asynchronous receiver/transmitter (Octal UART)

SCC2698B

## Legal Information

### Data sheet status

Document status <sup>[1][2]</sup>	Product status <sup>[3]</sup>	Definition
Objective [short] data sheet	Development	This document contains data from the objective specification for product development.
Preliminary [short] data sheet	Qualification	This document contains data from the preliminary specification.
Product [short] data sheet	Production	This document contains the product specification.

[1] Please consult the most recently issued document before initiating or completing a design.

[2] The term 'short data sheet' is explained in section "Definitions".

[3] The product status of device(s) described in this document may have changed since this data sheet was published and may differ in case of multiple devices. The latest product status information is available on the Internet at URL <http://www.semiconductors.philips.com>.

### Definitions

**Draft** — The document is a draft version only. The content is still under internal review and subject to formal approval, which may result in modifications or additions. Philips Semiconductors does not give any representations or warranties as to the accuracy or completeness of information included herein and shall have no liability for the consequences of use of such information.

**Short data sheet** — A short data sheet is an extract from a full data sheet with the same product type number(s) and title. A short data sheet is intended for quick reference only and should not be relied upon to contain detailed and full information. For detailed and full information see the relevant full data sheet, which is available on request via the local Philips Semiconductors sales office. In case of any inconsistency or conflict with the short data sheet, the full data sheet shall prevail.

### Disclaimers

**General** — Information in this document is believed to be accurate and reliable. However, Philips Semiconductors does not give any representations or warranties, expressed or implied, as to the accuracy or completeness of such information and shall have no liability for the consequences of use of such information.

**Right to make changes** — Philips Semiconductors reserves the right to make changes to information published in this document, including without limitation specifications and product descriptions, at any time and without notice. This document supersedes and replaces all information supplied prior to the publication hereof.

**Suitability for use** — Philips Semiconductors products are not designed, authorized or warranted to be suitable for use in medical, military, aircraft, space or life support equipment, nor in applications where failure or malfunction of a Philips Semiconductors product can reasonably be expected to result in personal injury, death or severe property or

environmental damage. Philips Semiconductors accepts no liability for inclusion and/or use of Philips Semiconductors products in such equipment or applications and therefore such inclusion and/or use is at the customer's own risk.

**Applications** — Applications that are described herein for any of these products are for illustrative purposes only. Philips Semiconductors makes no representation or warranty that such applications will be suitable for the specified use without further testing or modification.

**Limiting values** — Stress above one or more limiting values (as defined in the Absolute Maximum Ratings System of IEC 60134) may cause permanent damage to the device. Limiting values are stress ratings only and operation of the device at these or any other conditions above those given in the Characteristics sections of this document is not implied. Exposure to limiting values for extended periods may affect device reliability.

**Terms and conditions of sale** — Philips Semiconductors products are sold subject to the general terms and conditions of commercial sale, as published at <http://www.semiconductors.philips.com/profile/terms>, including those pertaining to warranty, intellectual property rights infringement and limitation of liability, unless explicitly otherwise agreed to in writing by Philips Semiconductors. In case of any inconsistency or conflict between information in this document and such terms and conditions, the latter will prevail.

**No offer to sell or license** — Nothing in this document may be interpreted or construed as an offer to sell products that is open for acceptance or the grant, conveyance or implication of any license under any copyrights, patents or other industrial or intellectual property rights.

### Trademarks

Notice: All referenced brands, product names, service names and trademarks are the property of their respective owners.

## Contact information

For additional information please visit: <http://www.semiconductors.philips.com>

For sales office addresses, send an e-mail to: [sales.addresses@www.semiconductors.philips.com](mailto:sales.addresses@www.semiconductors.philips.com)

Please be aware that important notices concerning this document and the product(s) described herein, have been included in section "Legal information".



© Koninklijke Philips Electronics N.V. 2006. All rights reserved.  
For more information, please visit <http://www.semiconductors.philips.com>.  
For sales office addresses, email to: [sales.addresses@www.semiconductors.philips.com](mailto:sales.addresses@www.semiconductors.philips.com).

Date of release: 20060807

Document identifier: SCC2698B\_4

# Mouser Electronics

Authorized Distributor

Click to View Pricing, Inventory, Delivery & Lifecycle Information:

[NXP:](#)

[SCC2698BC1A84,512](#) [SCC2698BC1A84,518](#) [SCC2698BE1A84,512](#) [SCC2698BE1A84,518](#)