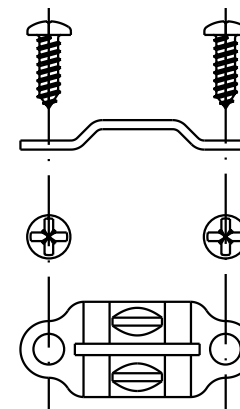
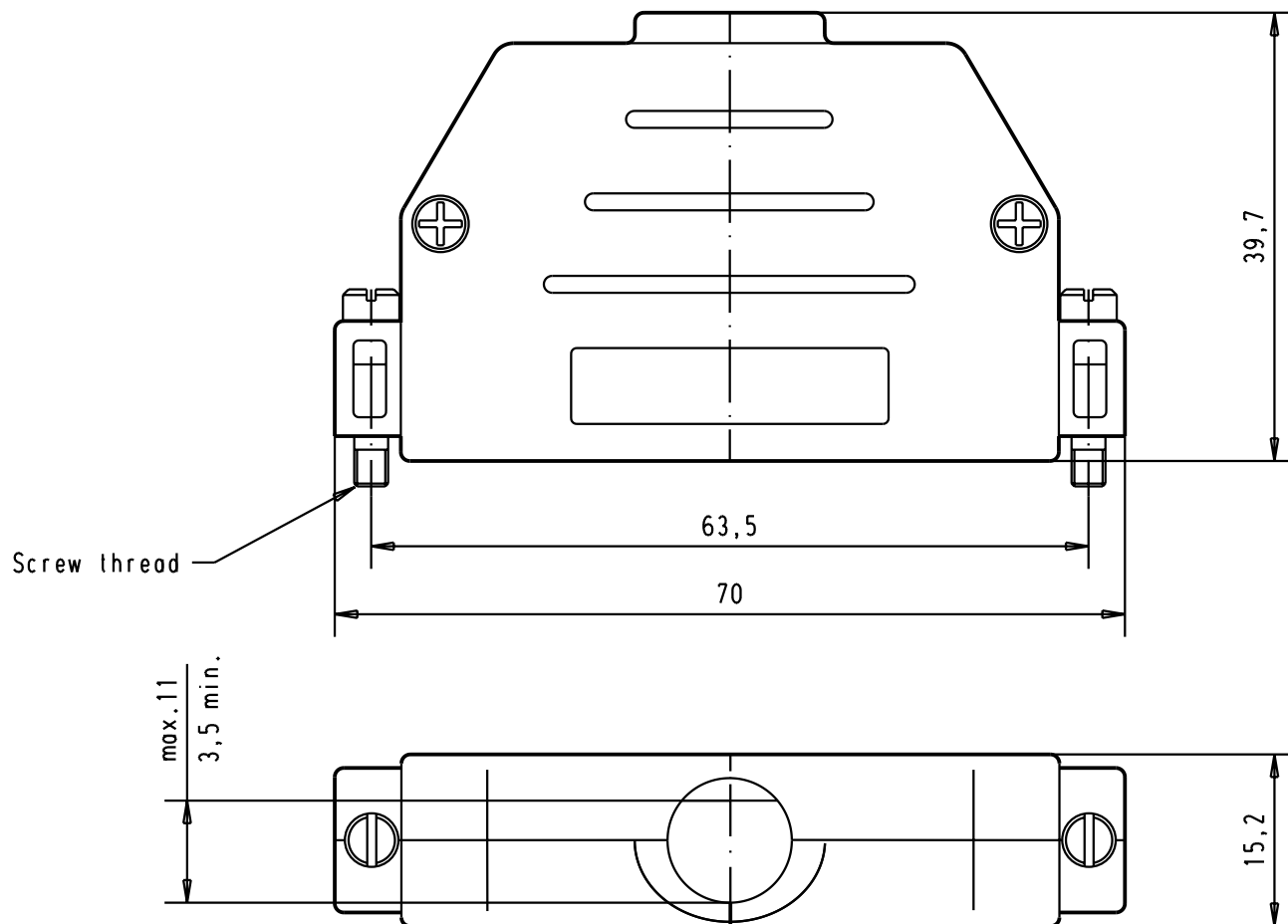


5 4 3 2 1





B

D

C

A

						Dat. Name 4-SEP-02 CV		 All Dim. in mm Orig. Size DIN A 4	D-Sub, thermoplastic metallized hood, 37 poles with short locking screws.	Maßstab/Scale 1.5:1
						Insp.				
						Stand.				
09 67 037 0423	M3					HARTING EURL F-95972 Paris		 TB 0967 037 04x3	Blatt/ Page 1/	
09 67 037 0443	4-40 UNC	31085	4-SEP-02	CV		Sub.				
Part number	Screw thread	Mod.	Dat.	Name						