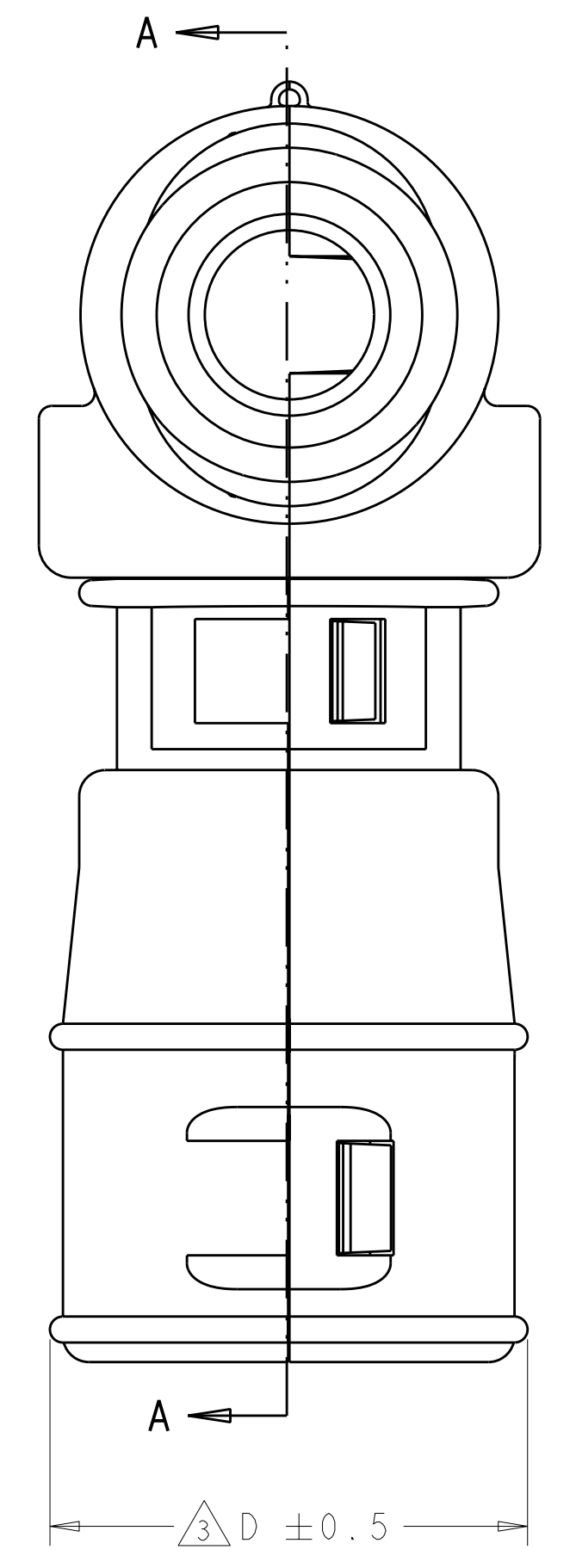
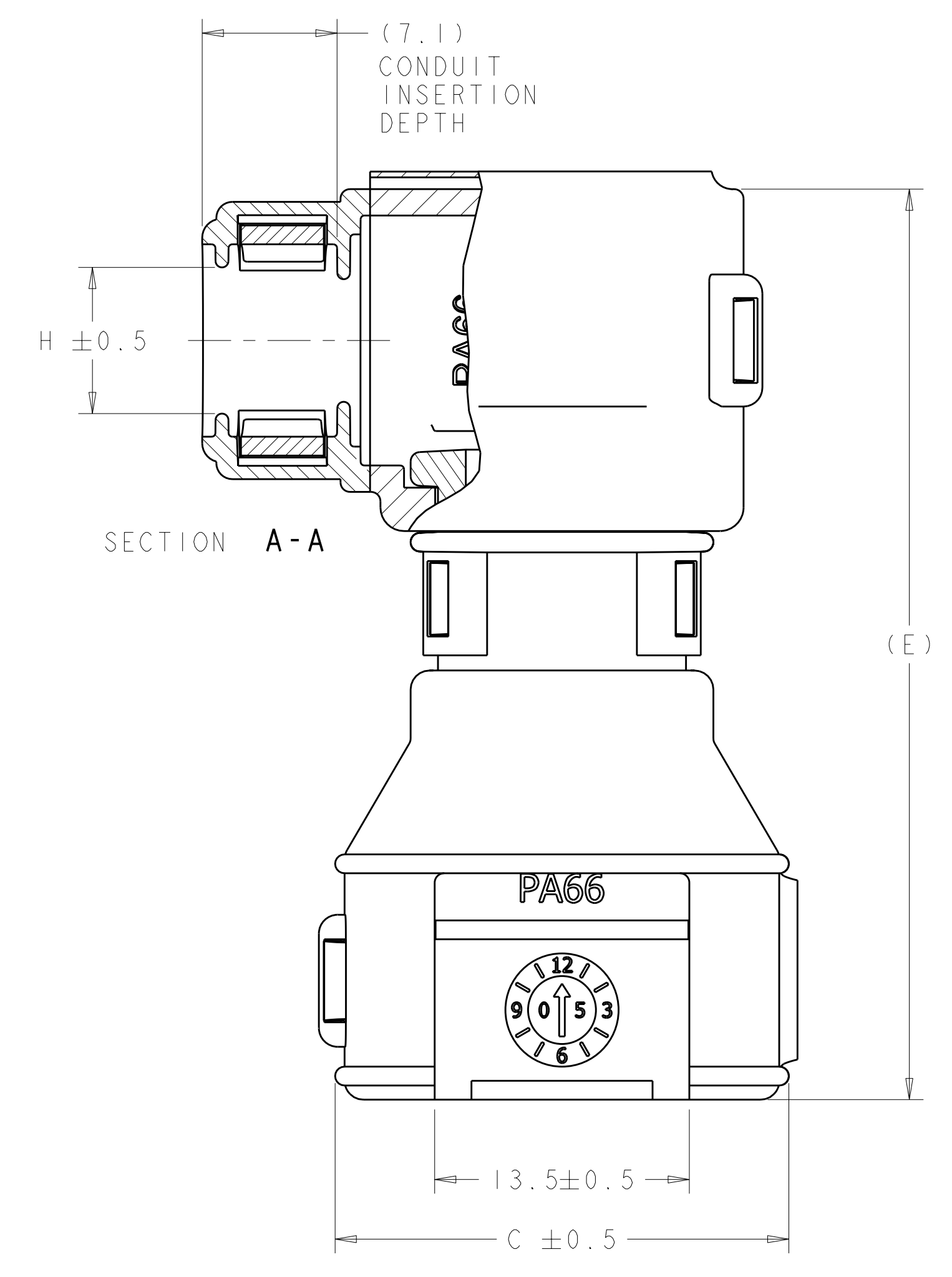
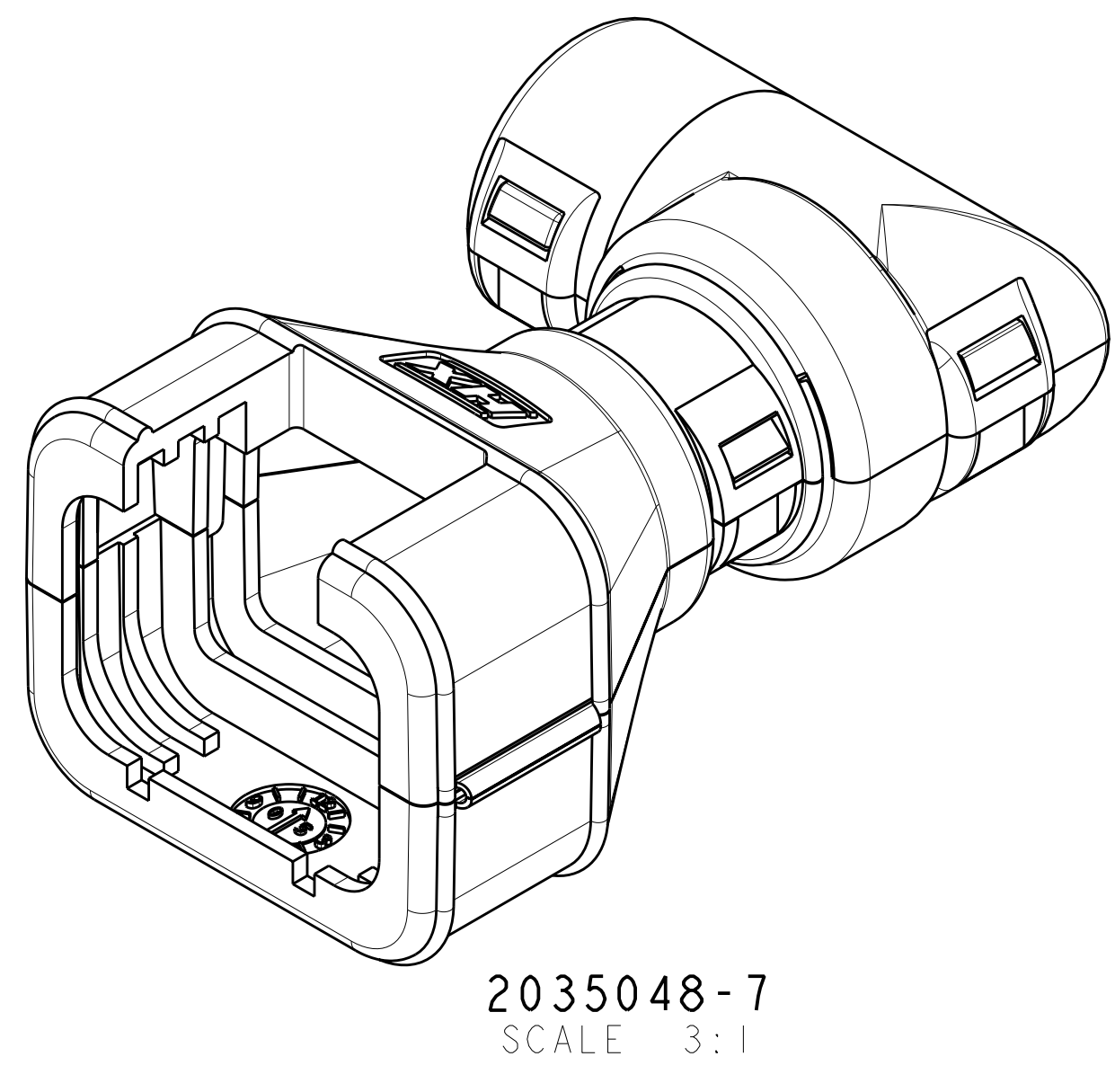
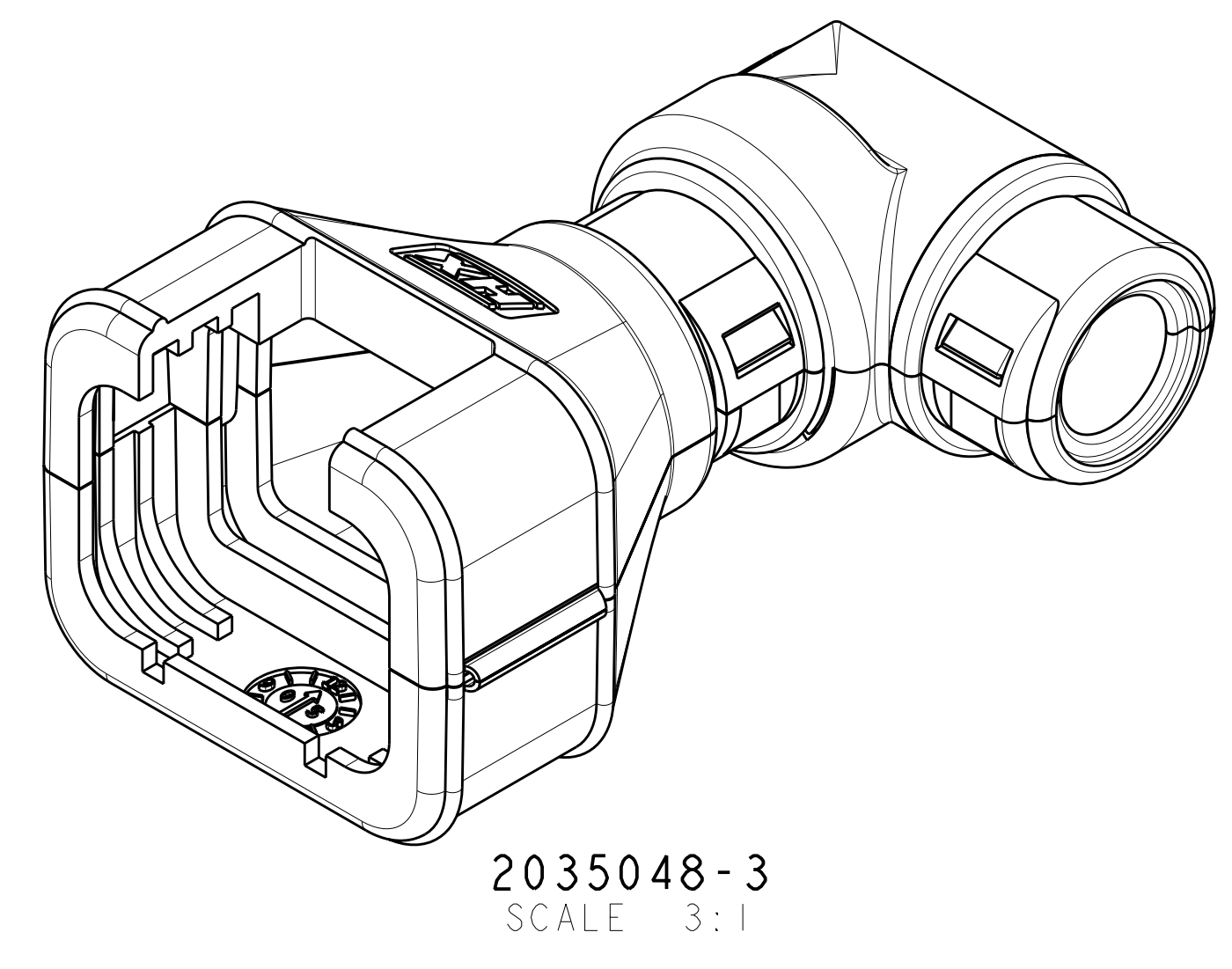
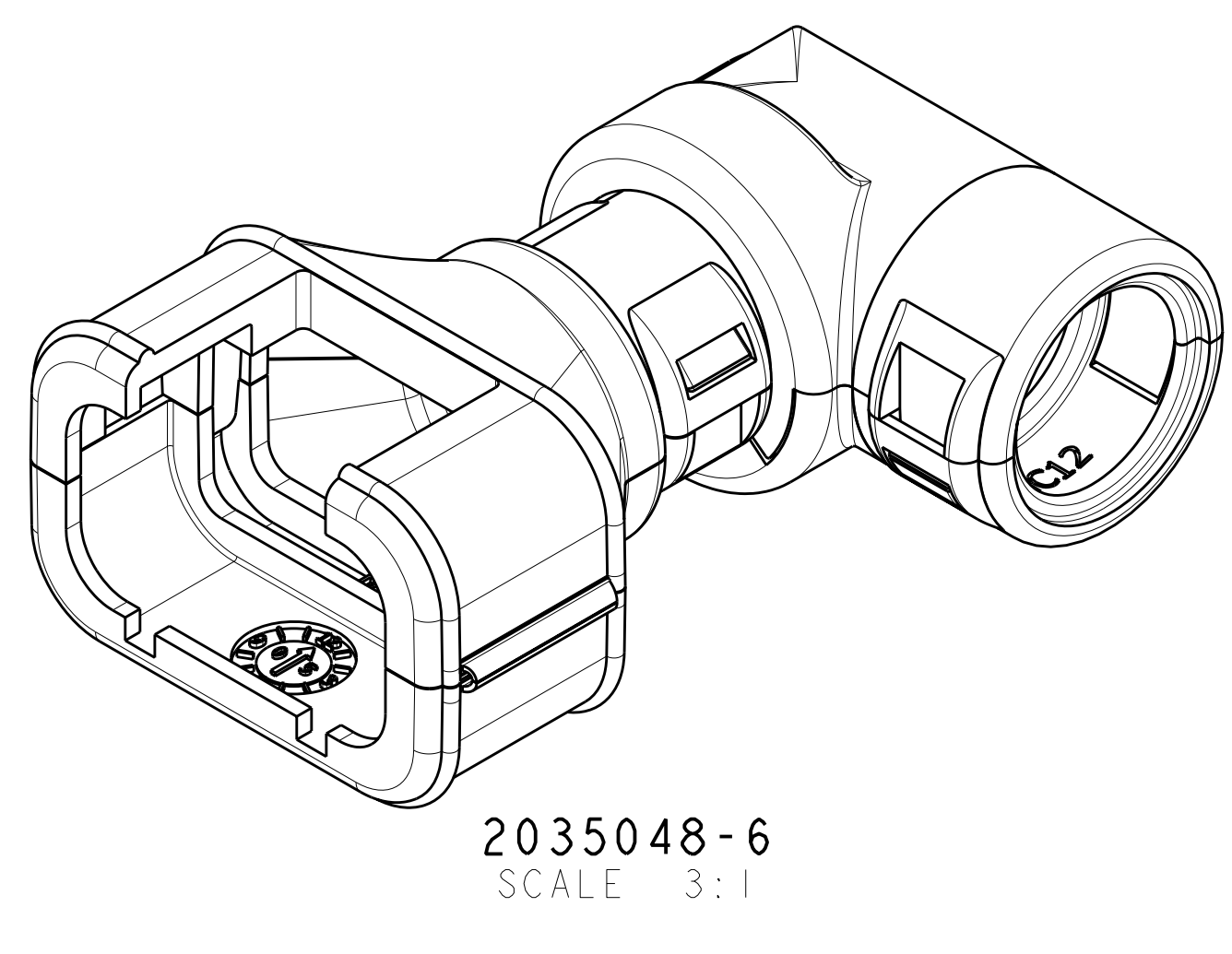
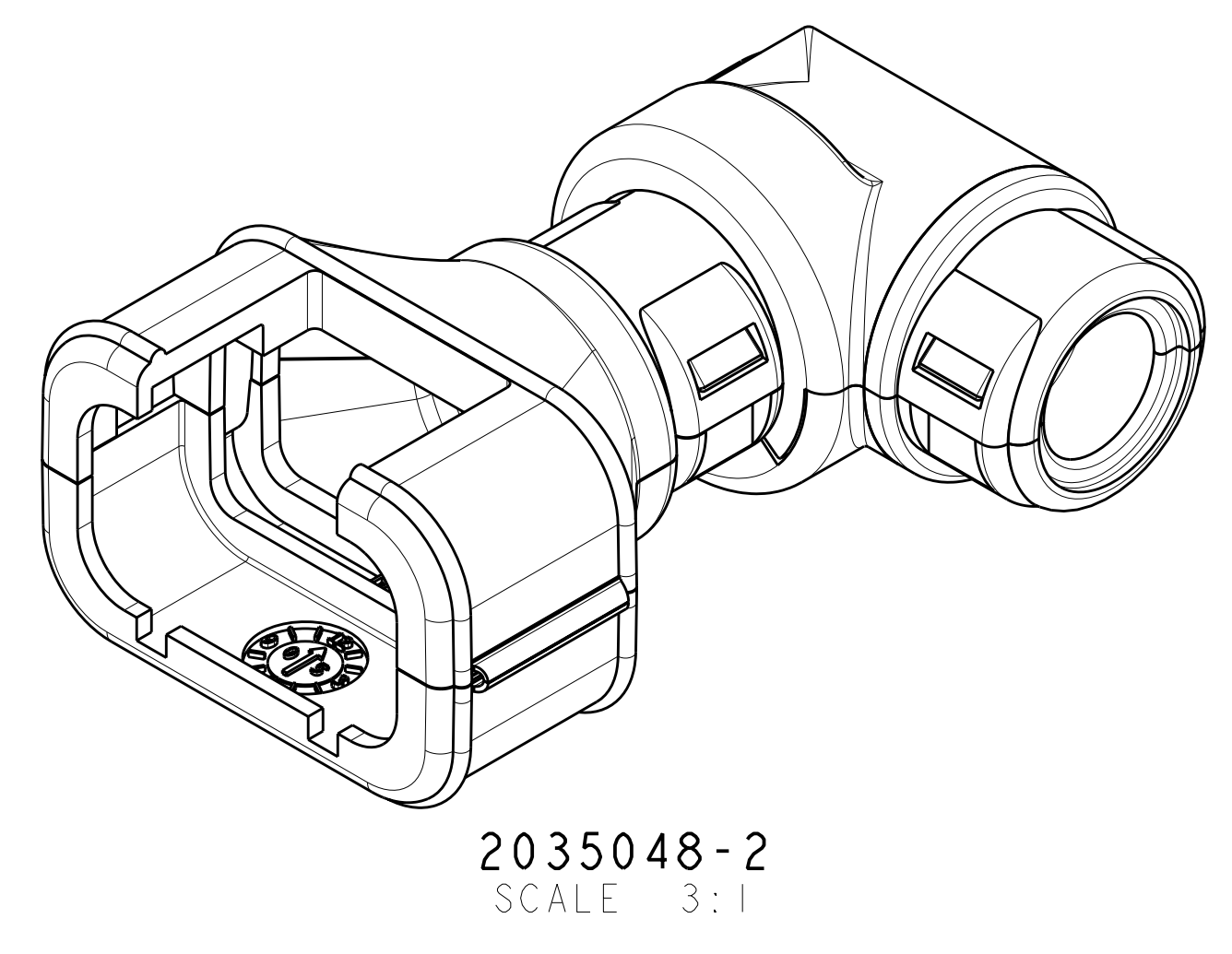
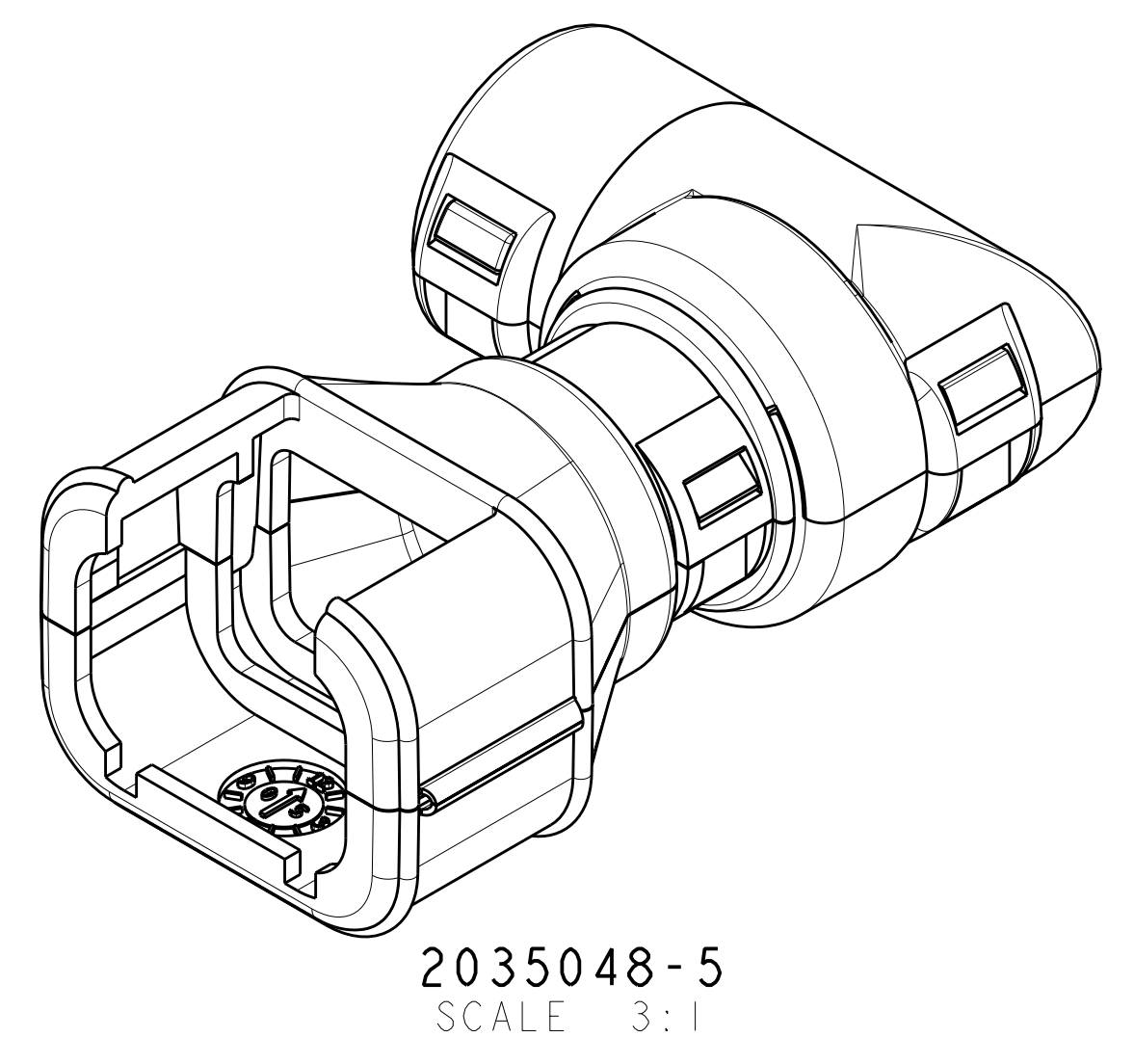
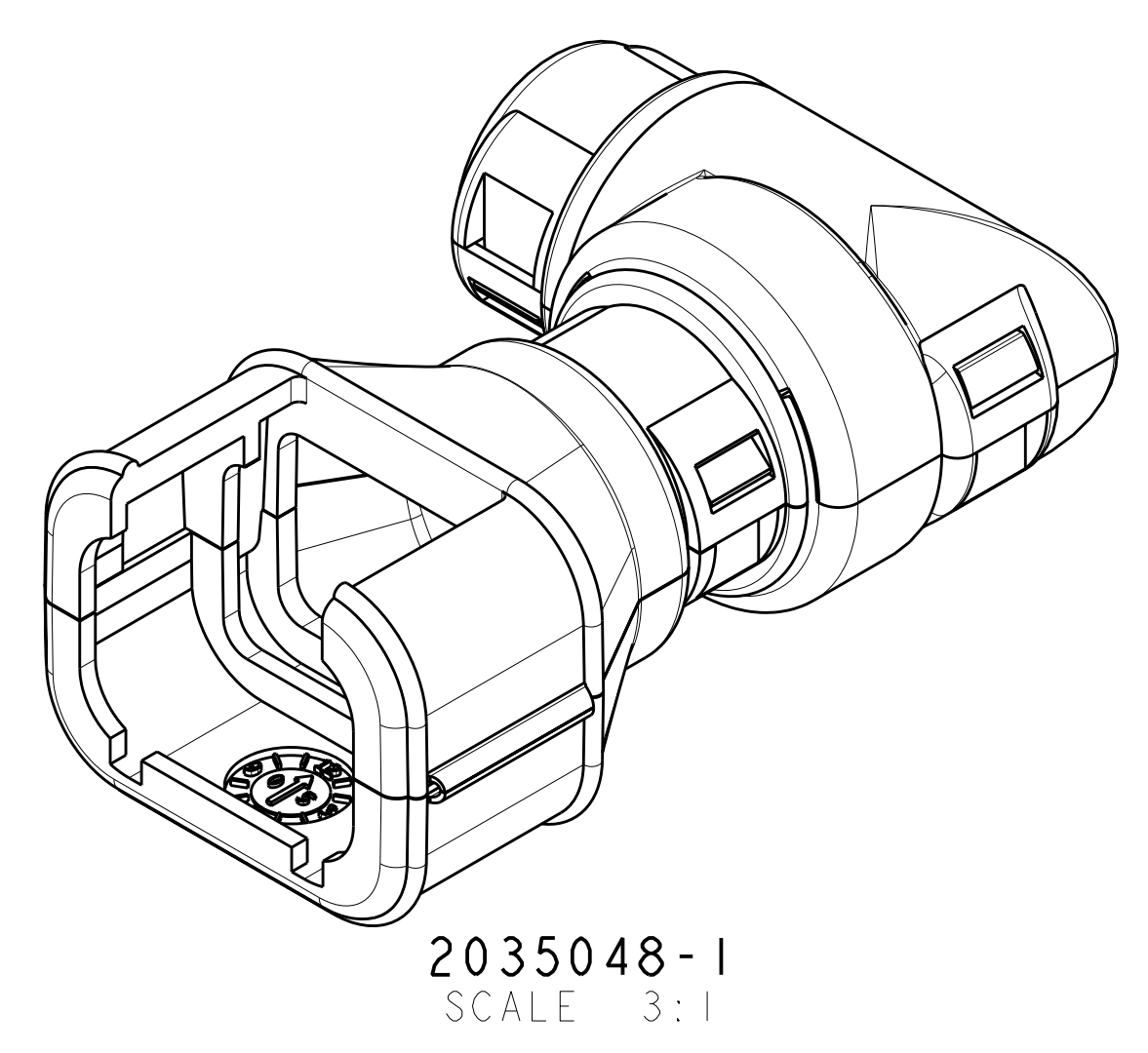


LOC	DIST	REVISIONS			
P	LTN	DESCRIPTION	DATE	DWN	APVD
B		REVISED PER ECO-09-009390	16APR2009	DD	RB
C		REVISED PER ECO-11-017736	30SEP2011	DD	RB

- ⚠ BACKSHELL IS NOT CURRENTLY TOOLED FOR PRODUCTION.
- 2. ELBOW DESIGN ALLOWS FOR 360° EXIT ROTATION.
- ⚠ DIMENSION TO BE MEASURED WHEN THE COVER IS CLOSED.



TE PART NUMBER	ASSY POSN	NOMINAL CONDUIT SIZE		NOMINAL DIMENSIONS			
		NC	NW	C	D	(E)	H
2035048-1	2	08	7.5	23.9	18.3	48.3	7.8
2035048-2	3	08	7.5	28.5	18.3	48.3	7.8
2035048-3	4	08	7.5	29.1	23.6	52.3	7.8
2035048-4	6	⚠ NOT CURRENTLY TOOLED					
2035048-5	2	12	10	23.9	18.3	48.3	11.0
2035048-6	3	12	10	28.5	18.3	48.3	11.0
2035048-7	4	12	10	29.1	23.6	52.3	11.0
2035048-8	6	⚠ NOT CURRENTLY TOOLED					
2035048-9	8	⚠ NOT CURRENTLY TOOLED					

THIS DRAWING IS A CONTROLLED DOCUMENT.

DW: J. MARKEY 28MAR2008  
 CHK: J. MARKEY 28MAR2008  
 APVD: J. MARKEY 28MAR2008

TE Connectivity  
**STE**  
 BACKSHELL, AMPSEAL 16, 90 DEGREE EXIT

DIMENSIONS: mm  
 TOLERANCES UNLESS OTHERWISE SPECIFIED:  
 9 PLC ±0.5  
 1 PLC ±0.5  
 3 PLC ±0.5  
 4 PLC ±0.5  
 ANGLES ±0.5  
 FINISH

MATERIAL: NYLON 6/6

WEIGHT: -  
 CUSTOMER DRAWING

SIZE: A100779C-2035048  
 SCALE: 4:1 SHEET 1 OF 1 REV C