

THIS DRAWING IS UNPUBLISHED.

RELEASED FOR PUBLICATION

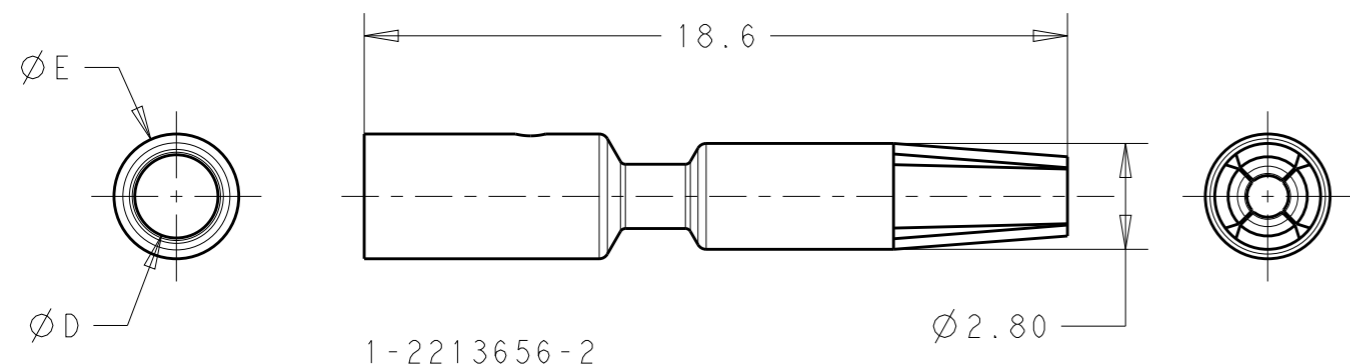
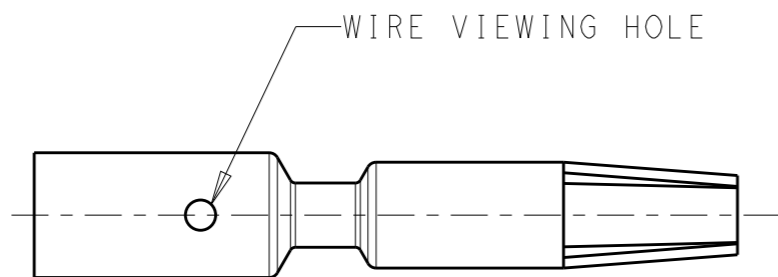
20

© COPYRIGHT 20 BY -

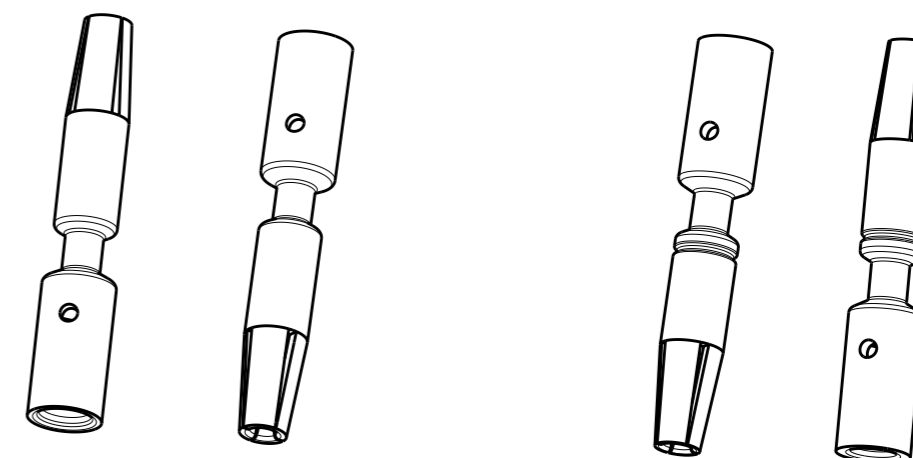
ALL RIGHTS RESERVED.

REVISIONS

P	LTR	DESCRIPTION	DATE	DWN	APVD
	A	REVISED AS PER ECR-15-009852	13JUL2015	RS	JL

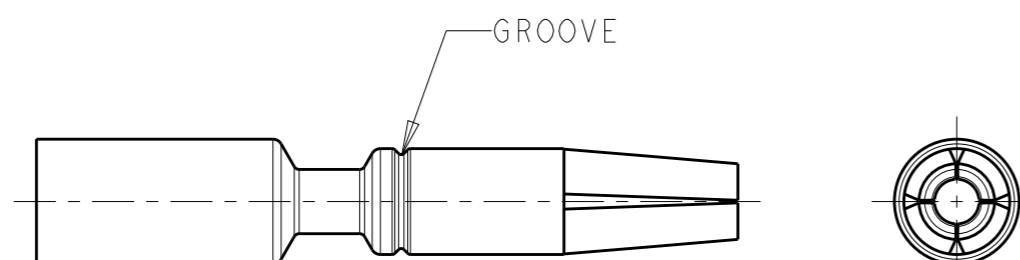


1-2213656-2



1-2213656-2

2213656-2




2213656-2

NOTES:

- MATERIALS AND FINISH:  
COPPER ALLOY, FINISH: Sn OVER Ni
- MUST COMPLY WITH DIRECTIVE 2002/95/EC (ROHS)
- THIS PRODUCT HAS NOT COMPLETED VALIDATION TESTING

2.5	3.30	2.20	0	1-2213656-2
1.5	3.30	1.70	1	2213656-2
WIRE (sqmm)	DIM. "E"	DIM. "D"	NO. OF GROOVES	PART NO

THIS DRAWING IS A CONTROLLED DOCUMENT.		DWN RAVI.S 17APR2015	 TE Connectivity	
DIMENSIONS: mm		CHK LATORRE JUSTIN 17APR2015		
TOLERANCES UNLESS OTHERWISE SPECIFIED:		APVD LATORRE JUSTIN 17APR2015	NAME MACHINED SOCKET CONTACT NECTOR* M-LINE-SEALED	
0 PLC ±- 1 PLC ±0.3 2 PLC ±0.15 3 PLC ±- 4 PLC ±- ANGLES ±-		PRODUCT SPEC 108-133014	SIZE A3	
MATERIAL NOTE 1		APPLICATION SPEC 114-32111	CAGE CODE -	DRAWING NO C-2213656
FINISH NOTE 1		WEIGHT -	RESTRICTED TO -	
		Customer Drawing	SCALE 10:1	SHEET 1 OF 1
			REV A	