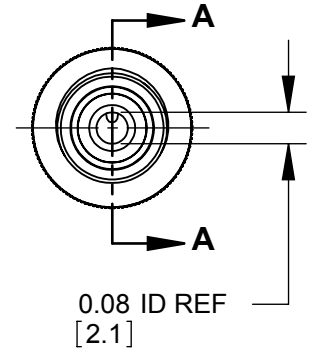
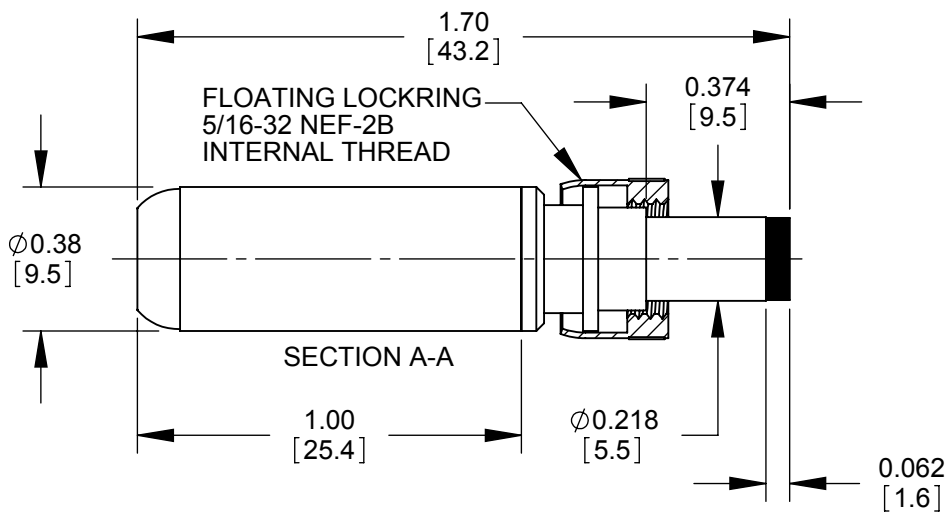
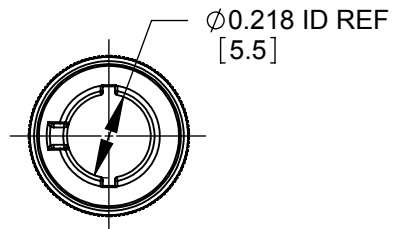


PART NUMBER	HANDLE COLOR
S760KH	BLACK
S765KH	RED



NOTES:

- MATERIALS:  
 CONDUCTORS, LOCKRING - BRASS, NICKEL PLATED  
 TERMINALS - BRASS, TIN PLATED  
 INSULATORS, HANDLE - THERMOPLASTIC
- THIS PRODUCT IS RoHS COMPLIANT

**PRELIMINARY**

**CUSTOMER DRAWING**

THIS DRAWING DESCRIBES A DESIGN CONSIDERED PROPRIETARY IN NATURE, DEVELOPED AND MANUFACTURED BY SWITCHCRAFT INC. AND IS RELEASED ON A CONFIDENTIAL BASIS FOR IDENTIFICATION PURPOSES ONLY.

REV	ECO NUMBER	DATE	BY	APVD
0A	PDR 15004	6/27/16	PNK	SRC
REVISIONS				

UNLESS OTHERWISE SPECIFIED

- ALL DIMENSIONS IN INCHES  
 - TWO PLACE DECIMALS ±0.02  
 - THREE PLACE DECIMALS ±0.005

SIZE	WIDTH	MULT	LBS/M	TEMPER
FINISH			MATERIAL	
SPEC No.			SPEC No.	
FIRST USED ON		SCALE 2:1		
DATE DRAWN	BY	CHKD	APVD	
6/27/16	PNK	PNK	SRC	
		6/27/16	6/27/16	
NAME			PART No.	
Ø 0.08 [2.0]mm x 0.374 LONG			S760KH-S765KH	
HT POWER PLUG W/LOCKRING, RoHS			REV 0A	

DO NOT SCALE DRAWING

# Mouser Electronics

Authorized Distributor

Click to View Pricing, Inventory, Delivery & Lifecycle Information:

[Switchcraft:](#)

[S765KH](#) [S760KH](#)