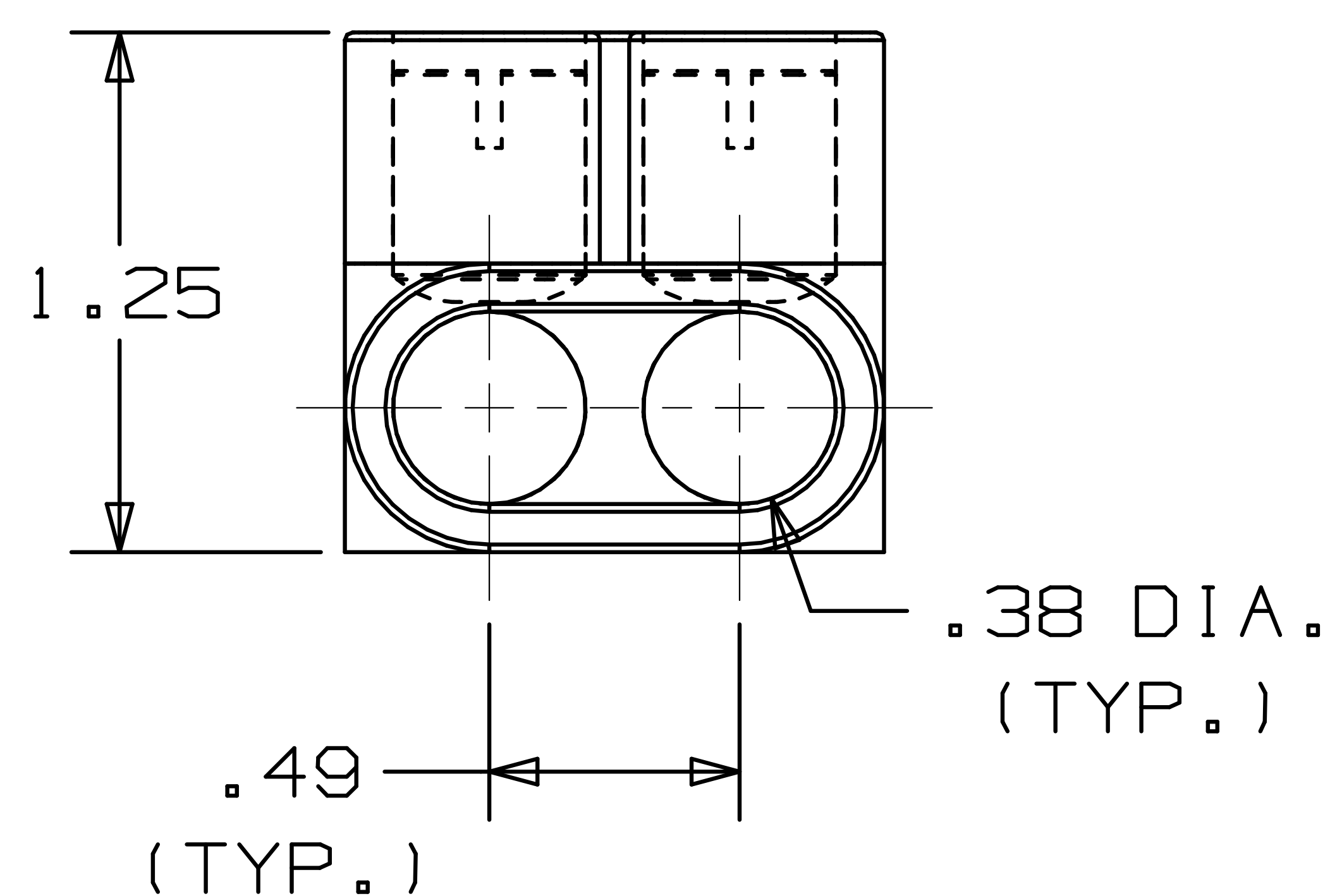


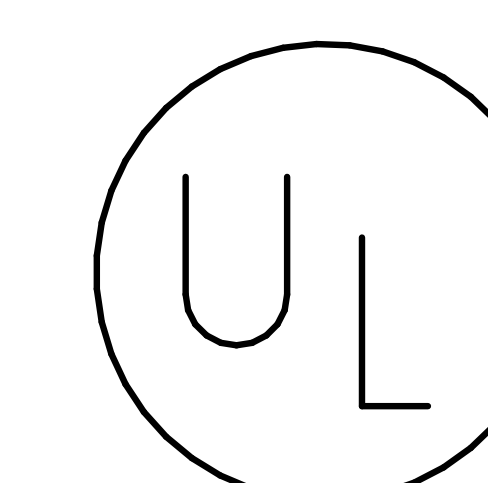
TWO PORT CONNECTOR BLOCK SHOWN WITH PLASTIC CLOSURE PLUGS REMOVED. SEE TABLE FOR DIMENSIONS OF PARTS WITH ADDITIONAL PORTS.



PART NUMBER	# CONDUCTOR PORTS	DIM "L"
PCSB4-2-12Y	2	1.16
PCSB4-3-12Y	3	1.64
PCSB4-4-6Y	4	2.13
PCSB4-5-6Y	5	2.62
PCSB4-6-6Y	6	3.10
PCSB4-7-4Y	7	3.59
PCSB4-8-4Y	8	4.08

NOTES:

- UL 486B LISTED. DUAL RATED CU9AL FOR ALUMINUM OR COPPER CONDUCTORS. MEETS OR EXCEEDS ANSI C119.4
- WIRE RANGE: #4-#14 AWG STR, #10-#14 AWG SOL. ONLY ONE CONDUCTOR PER PORT ALLOWED
- STRIP LENGTH: .50 +.06/-0
- TIGHTENING TORQUE  
 #6-#4 AWG: 45 IN-LB  
 #8 AWG: 40 IN-LB  
 #14-#10 AWG: 35 IN-LB
- VOLTAGE RATING: 600 V. MAX. BUILDING WIRE, 1000 V. MAX. IN SIGNS & FIXTURES.
- TEMPERATURE RATING: 90° C.
- CONNECTOR BLOCK BODY IS MADE FROM ALUMINUM. CLAMPING SCREWS (SLOTTED) ARE MADE FROM PLATED STEEL. PORTS IN CONNECTOR BLOCK ARE PREFILLED WITH AN OXIDE-INHIBITING COMPOUND.
- INSULATION MATERIAL IS CLEAR PVC.
- CLAMPING SCREW ACCESS PORTS AND ALL WIRE ENTRY PORTS ARE PROVIDED WITH REMOVABLE PLASTIC CLOSURE PLUGS.
- ALL DIMENSIONS SHOWN ARE NOMINAL.
- PACKAGE QTY: -12Y = 12 PCS.  
 -6Y = 6 PCS.  
 -4Y = 4 PCS.
- THIS PART IS ROHS COMPLIANT.



LISTED  
509D

C41573\_01

						<b>PANDUIT</b> CORP.		TINLEY PARK, ILLINOIS			
01	3/06	JHNU	LEM	REVISED ROHS NOTE	PC00334	MULTI-TAP INSULATED CONNECTORS PCSB 4 SERIES					
00	2/06	JHNU	LEM	DRAWING RELEASED - ROHS COMPLIANT	PC00299						
REV	DATE	BY	CHK	DESCRIPTION	ECN #	CUST	PM	DRAWN BY JHNU	CHK'D N/A	SCALE N/A	DRAWING NO. C41573