

FEATURES

- Pin-compatible with the [AD9978A](#)
- Dual AFE channels
- 1.8 V analog and digital core supply voltage
- Serial data output with reduced range LVDS outputs
- Differential analog inputs
- CDS or SHA configuration (CDS bypass) with
 - 3 dB, 0 dB, +3 dB, and +6 dB gain
- 6 dB to 42 dB, 10-bit variable gain amplifier (VGA)
- 16-bit, 75 MHz analog-to-digital converter (ADC)
- Black level clamp with variable level control
- Precision Timing* core with 210 ps resolution at 75 MHz

APPLICATIONS

- HD broadcast cameras
- High speed industrial cameras
- Professional digital cameras
- Digital copiers

GENERAL DESCRIPTION

The [ADDI7018](#) is a highly integrated, dual-channel, charge-coupled device (CCD) signal processor for high speed digital video camera applications. Each channel is specified at pixel rates of up to 75 MHz and consists of a complete analog front end (AFE) with ADC conversion. The *Precision Timing*[®] core allows adjustment of the correlated double sampler (CDS) and sample-and-hold amplifier (SHA) clocks with 210 ps resolution at 75 MHz operation. The [ADDI7018](#) also contains a reduced range low voltage differential signaling (LVDS) interface for the dual-channel data outputs.

Each analog front end includes black level clamping, a CDS, a VGA, and a 75 MHz, 16-bit analog-to-digital converter (ADC). Operation is programmed using a 3-wire serial interface.

Packaged in a space-saving, 6 mm × 6 mm, 40-lead LFCSP, the [ADDI7018](#) is specified over an operating temperature range of -25°C to +85°C.

FUNCTIONAL BLOCK DIAGRAM

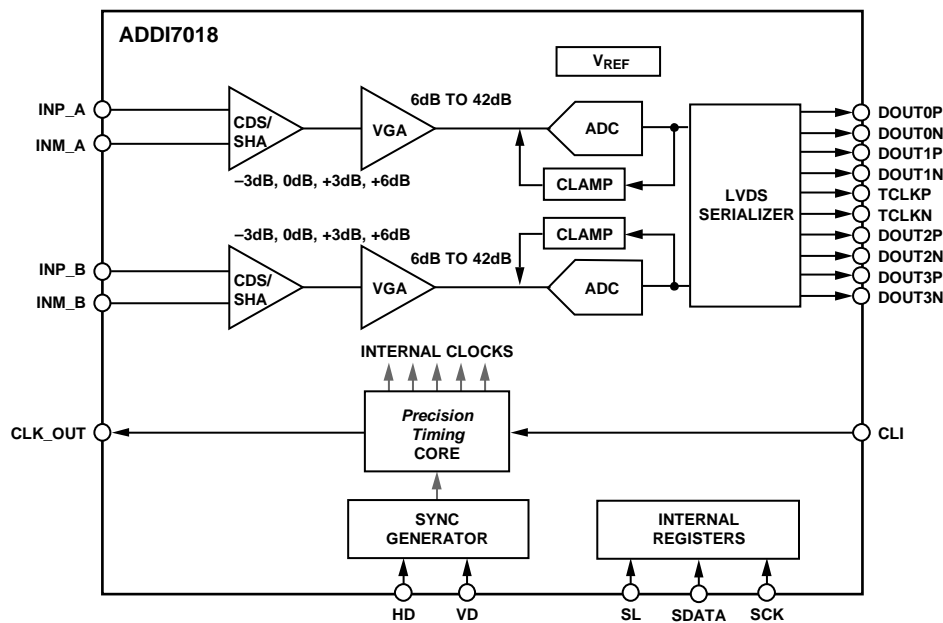


Figure 1.

For more information about the [ADDI7018](#), email Analog Devices, Inc., at afe.ccd@analog.com.

Rev. Sp0

Information furnished by Analog Devices is believed to be accurate and reliable. However, no responsibility is assumed by Analog Devices for its use, nor for any infringements of patents or other rights of third parties that may result from its use. Specifications subject to change without notice. No license is granted by implication or otherwise under any patent or patent rights of Analog Devices. Trademarks and registered trademarks are the property of their respective owners.

NOTES