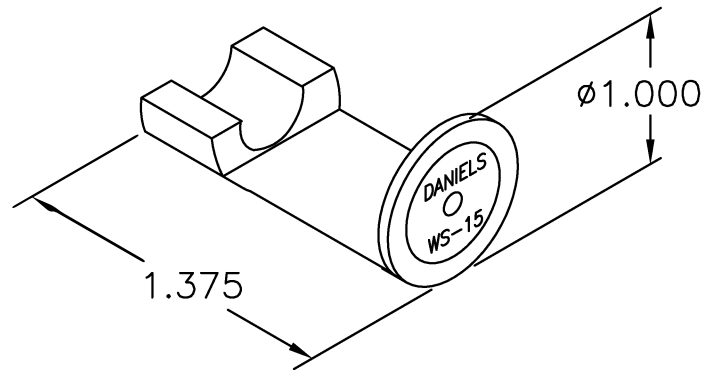



**UNCONTROLLED DOCUMENT
WILL NOT BE UPDATED**

REVISIONS				
REV. SYM.	E.C.O. NUMBER	DESCRIPTION	BY DATE	APP'D DATE
1		ORIGINAL RELEASE	JWJ 12/11/03	RRR 12/11/03



1. KINGS EQUIVALENT KTD-81.

NOTES:

<p>RESTRICTED & CONFIDENTIAL</p> <p>CONFIDENTIAL PROPERTY OF DANIELS MANUFACTURING CORP. NOT TO BE DISCLOSED TO OTHERS, REPRODUCED OR USED FOR ANY OTHER PURPOSE, EXCEPT AS AUTHORIZED IN WRITING BY DANIELS MANUFACTURING. MUST BE RETURNED TO DANIELS MANUFACTURING CORP. ON COMPLETION OF ORDER OR OTHER PURPOSE FOR WHICH LENT.</p>	ITEM	PART NO.	QTY.	DESCRIPTION/REMARKS		
	DRN.	J. JOYCE	DATE 12/11/03	 <p>DANIELS MANUFACTURING CORP. ORLANDO, FLORIDA CAGE 11851</p>		
	CHK'D.	RRR	DATE 12/11/03			
	APP'D.		DATE			
	APP'D.		DATE			
NOTE: THIS DRAWING IS AN OUTLINE DRAWING OF THE RESPECTIVE DMC PART NUMBER INDICATED. ACTUAL DMC PART NUMBER IS DRAWING NUMBER WITHOUT THE "-ENV" SUFFIX.			TITLE DIELECTRIC TRIM JIG ENVELOPE DRAWING			
DO NOT SCALE DRAWING		WHERE USED:	SIZE A	SCALE NTS	CAD P/N WS-15-ENV	SHEET OF 1 1
		POSTING	DWG. NO. WS-15-ENV		REV. 1	