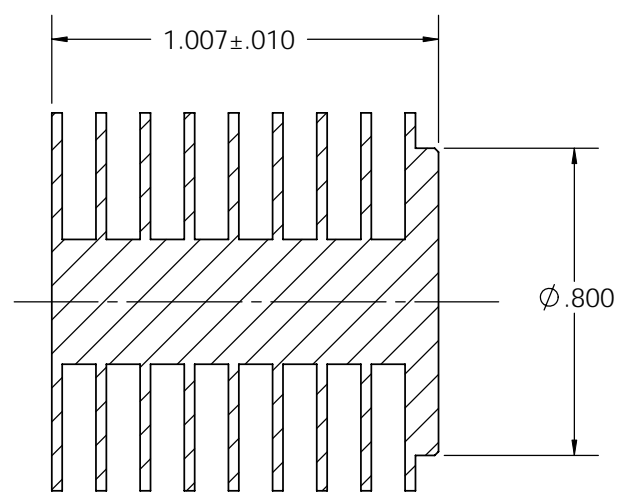
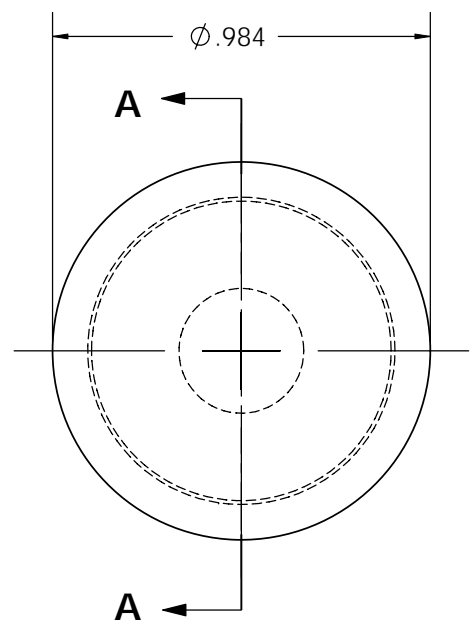
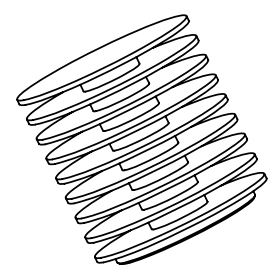


REVISION(S)			
LTR	DESCRIPTION	INIT	APP'D
A	NEW RELEASE	E.T 10/8/03	C.R 10/8/03
B	ECN: 0S60-0045-05	E.T 2/15/05	B.P 2/16/05
C	ECR-06-006382	E.T 3/16/06	C.W 3/16/06
D	ECO-09-000019	E.T 1/2/09	B.S 1/5/09



SECTION A-A



SCALE = 1X

- NOTE: UNLESS OTHERWISE SPECIFIED:
1. INTERPRET DRAWING PER ASME Y14.5M - 1994.
  2. RoHS COMPLIANT AND CERTIFIED.

**CUSTOMER DRAWING**

SPECIFICATIONS ARE SUBJECT TO CHANGE WITHOUT NOTICE

<b>DO NOT SCALE</b>	Tyco Electronics Norwood, Massachusetts 02062			<small>CONFIDENTIAL PROPERTY OF TYCO ELECTRONICS. NOT TO BE DISCLOSED TO OTHERS. REPRODUCED OR USED FOR ANY PURPOSES EXCEPT AS AUTHORIZED IN WRITING BY AN AUTHORIZED OFFICIAL OF TE. MUST BE RETURNED TO TE ON DEMAND, ON COMPLETION OF ORDERS OR OTHER PURPOSES FOR WHICH LENT.</small>		TITLE:				
	UNLESS OTHERWISE SPECIFIED TOLERANCES ARE:		DRAWN BY: E.TAO			DATE: 10/07/03		HEAT SINK		
	.XX ± .010 .XXX ± .005		ENGINEER: C.R		DATE: 10/07/03		DIMENSIONS ARE IN: INCHES		SCALE: 2:1	PART NO: 1542779-4
			MATERIAL: 2011-T3 ALUM.		FINISH: ANODIZE BLACK		THIRD ANGLE PROJECTION	SIZE: A	DWG. NO. C-1542779	REV: D