

Data Sheet

LL01CT-AJZxxR49

CITIZEN
Micro HumanTech



■ Features & Typical Applications

- High efficiency
- Available with 2 beam angles
- Optimized Uniformity
- Reflectors with Holder
- Architectural Lighting
- Commercial Lighting

■ Table of Contents

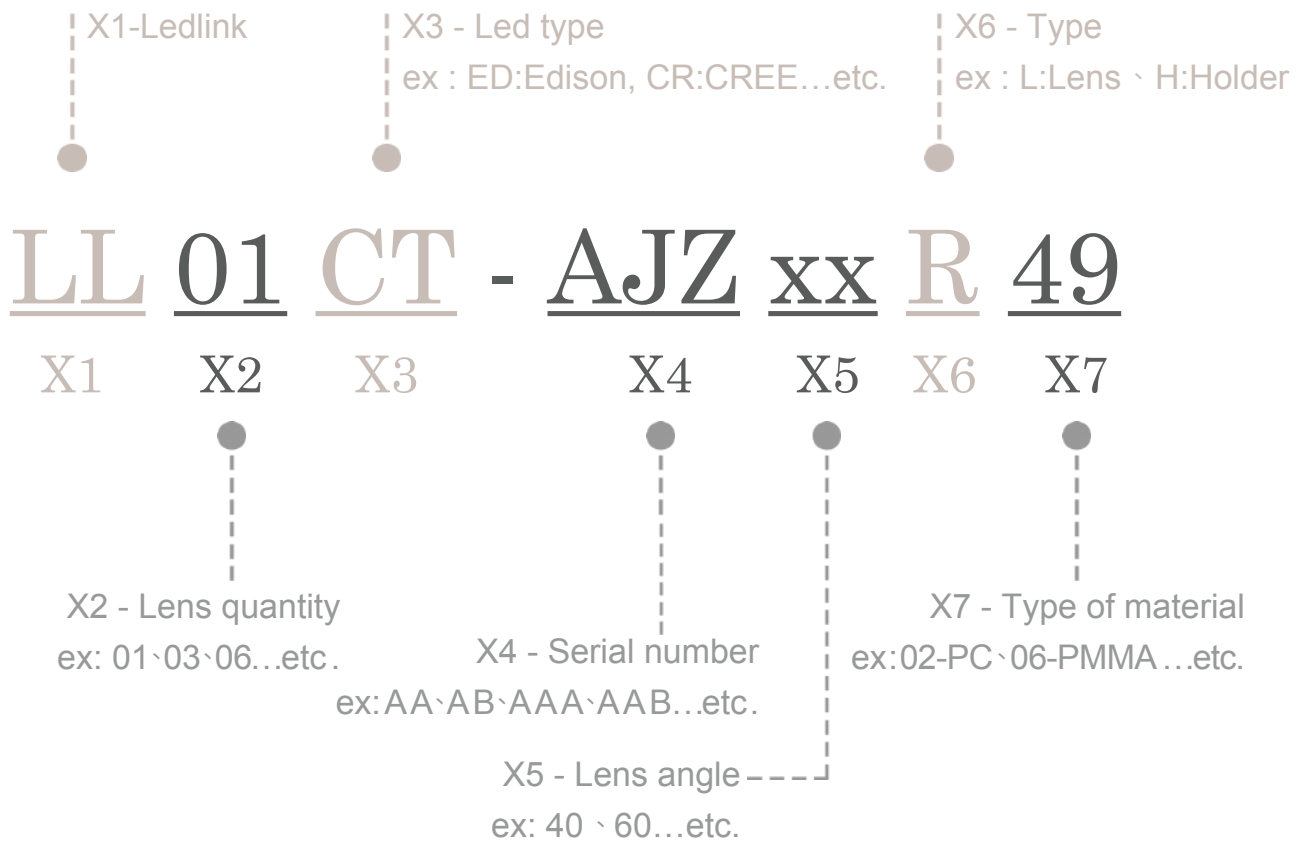
General Information & Product Nomenclature.....	P.2
Optical Specifications	P.3
Mechanical Specifications	P.4
Package Specifications.....	P.5

LL01CT-AJZxxR49

General Information

- Reflector Material : Aluminum
- Product surface anodized.
- Holder Material : PBT4815.
- Operating Temperature range -40°C~+110°C(upper limit +120°C).
- Storage Temperature range -40°C~+110°C(upper limit +120°C).
- Usage and Maintenance:
 1. If necessary, clean reflectors with mild soap, water and soft cloth.
 2. Never use any commercial cleaning solvents on reflectors, like alcohol.
 3. Please handle or install reflectors with wearing gloves, skin oils may damage reflector or its optical characteristic.

Product Nomenclature



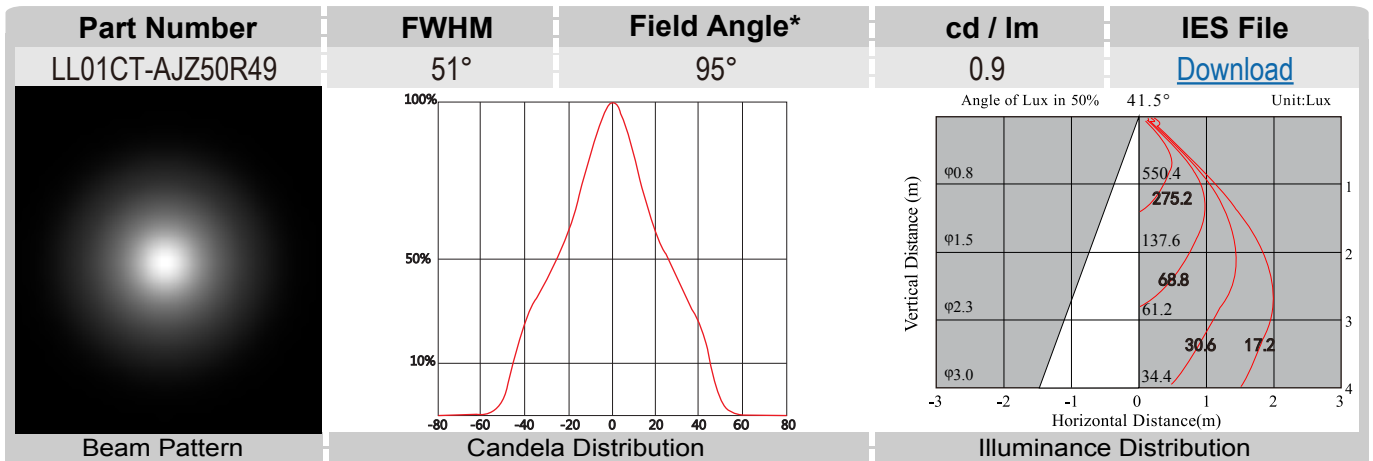
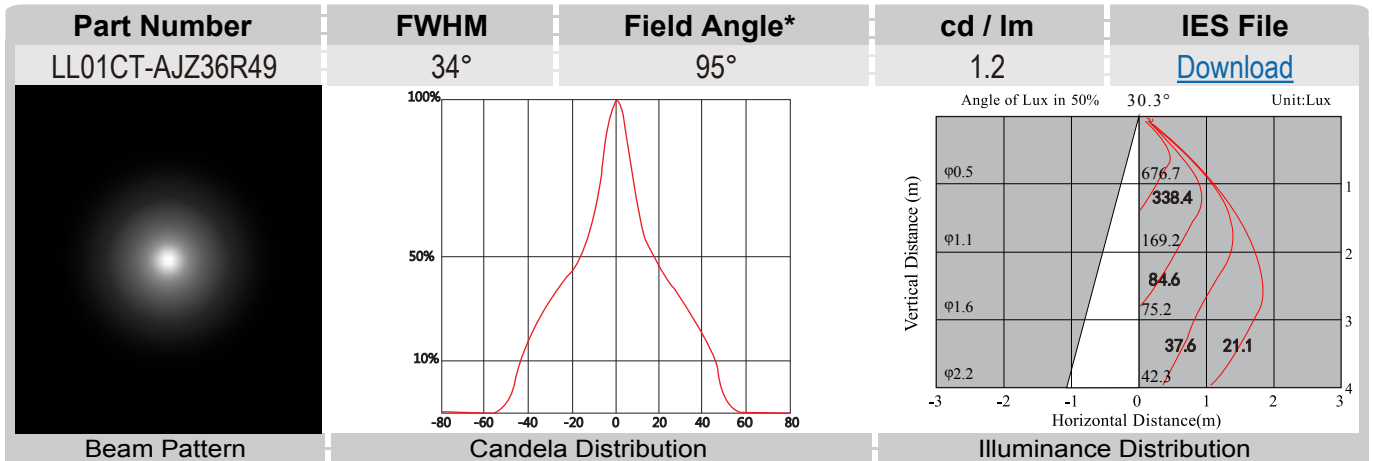
LL01CT-AJZxxR49

Optical Specifications

CITIZEN
Micro Human Tech



Note: (1) All the results of analysis are based on 0 degrees of elevation.
 (2) Tolerance: $\pm 10\%$.
 (3) Led Luminous Flux(lm): 580($\pm 5\%$).



*The Field Angle is the angle between the two directions opposed to each other over the beam axis for which the luminous intensity is 10% that of the maximum luminous intensity.
 *This testing result is obtained through testing the popular rank LED samples which provided by the original manufacturer. Hence, the testing results would be varied as the users choose same LED model but different rank.

LL01CT-AJZxxR49

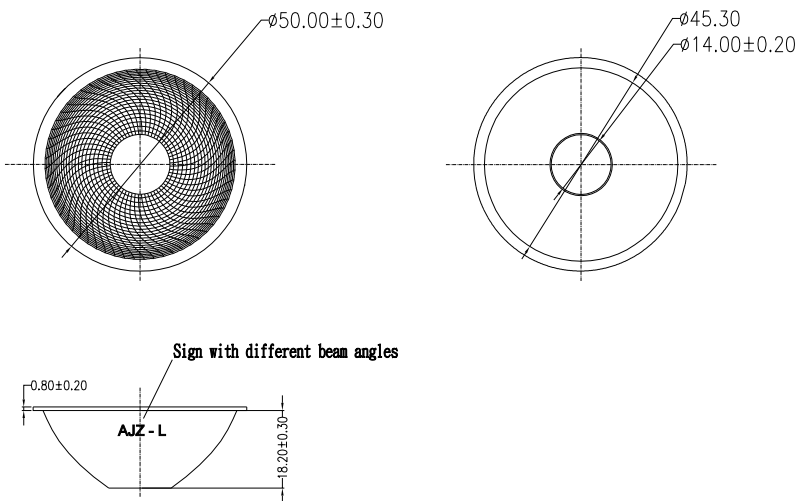
Mechanical Specification

1. Fixing method

Glue
 Screw
 Tape
 Fixing-ring
 Frame

Note: (1) All dimensions are in mm.
 (2) All tolerance are ± 0.15 mm unless otherwise specified.

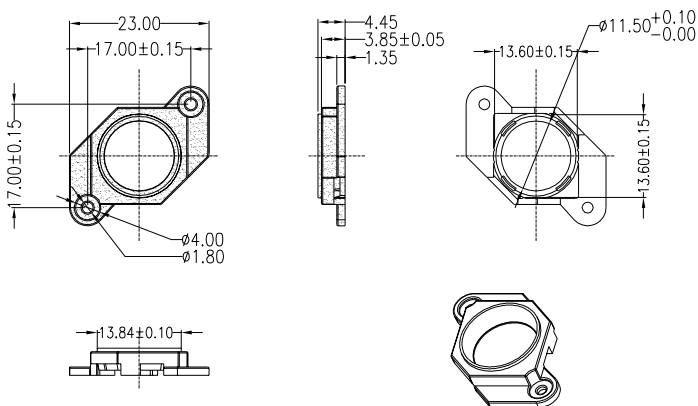
2. Reflector dimension



3. Reflector + Holder + Led assembly instruction

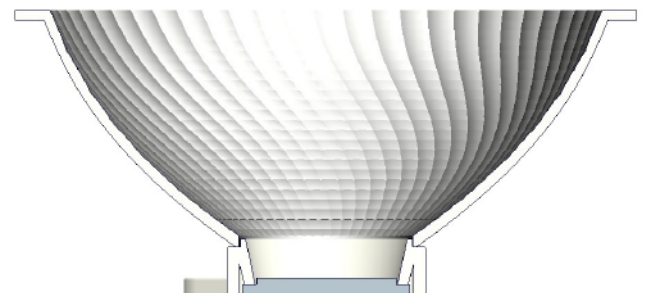


4. Holder dimension



LL01A00SUAB2

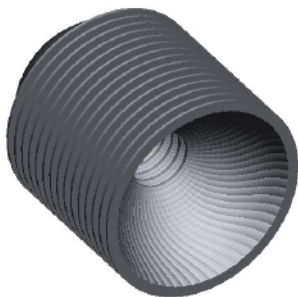
5. View assembly Reflector with LED:



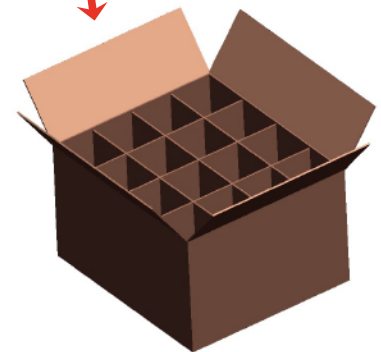
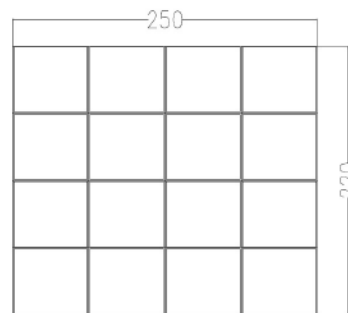
LL01CT-AJZxxR49

Package Specifications

Item	Quantity	Total	Size(L*W*H)	G.W
EPE stack	25 pcs/EPE stack	25 pcs		6.6g
outer box	16 stack/outer box	400 pcs	25*22.5*15 cm	



25 pcs/EPE stack



400 pcs/outer box



Note: