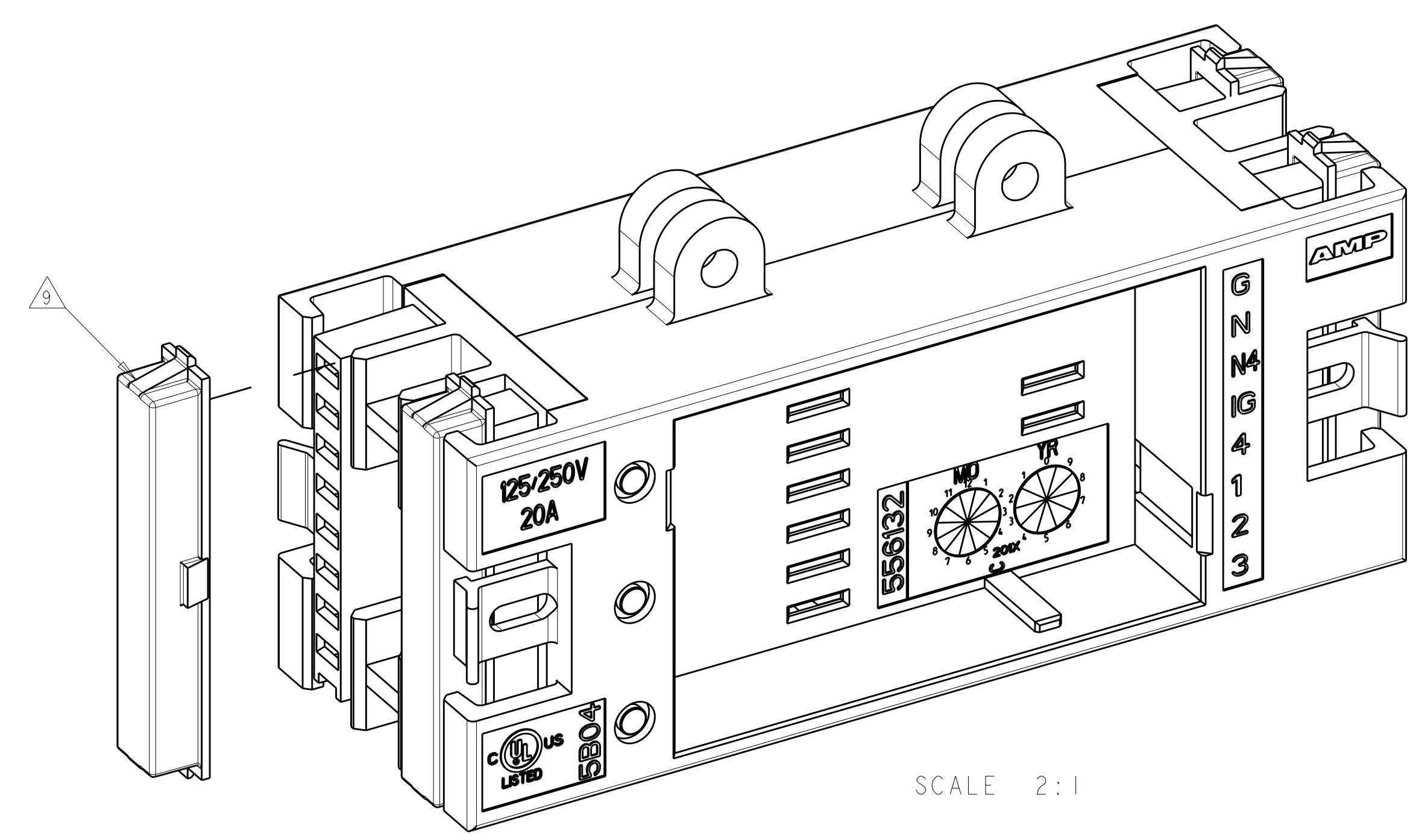
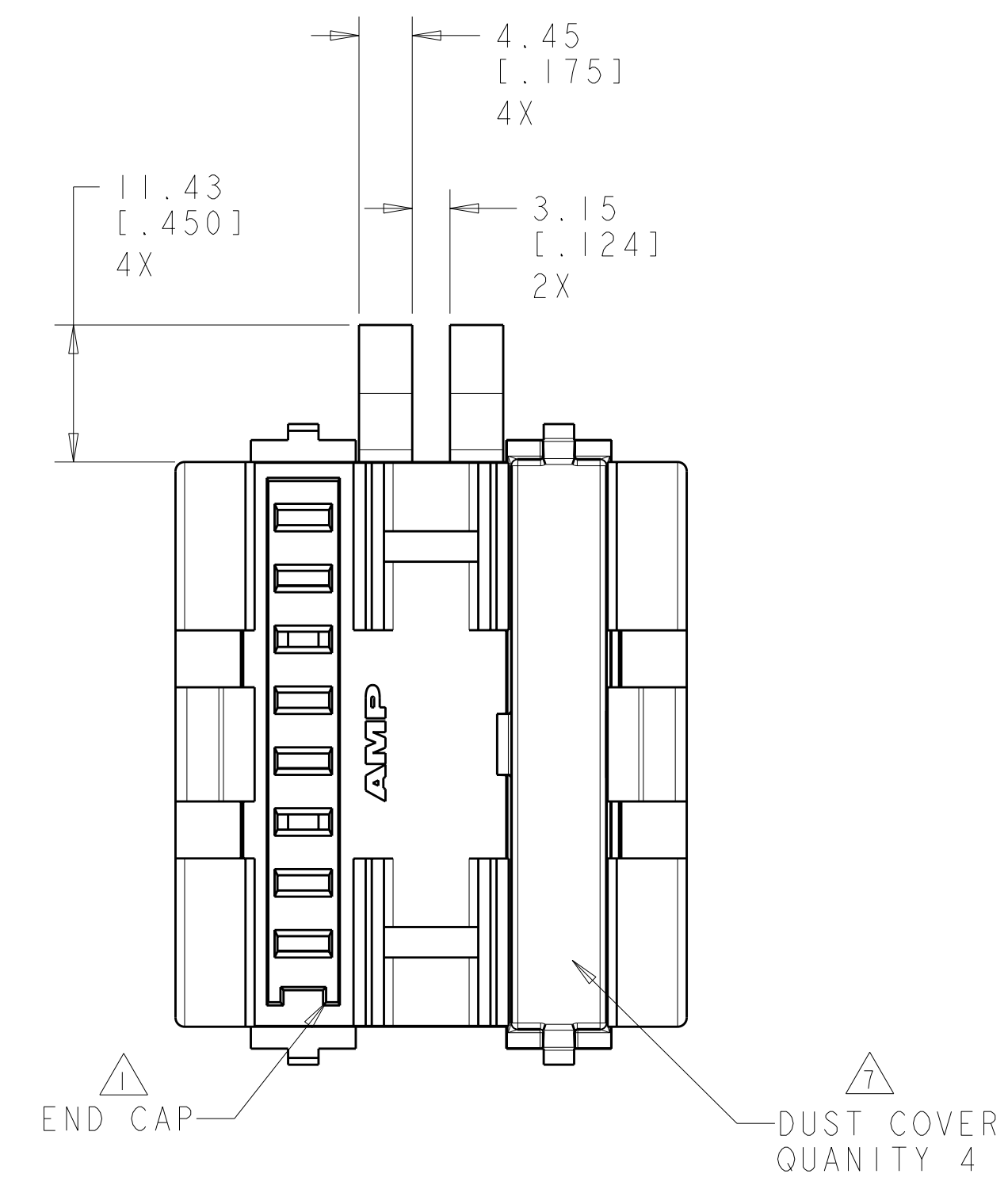
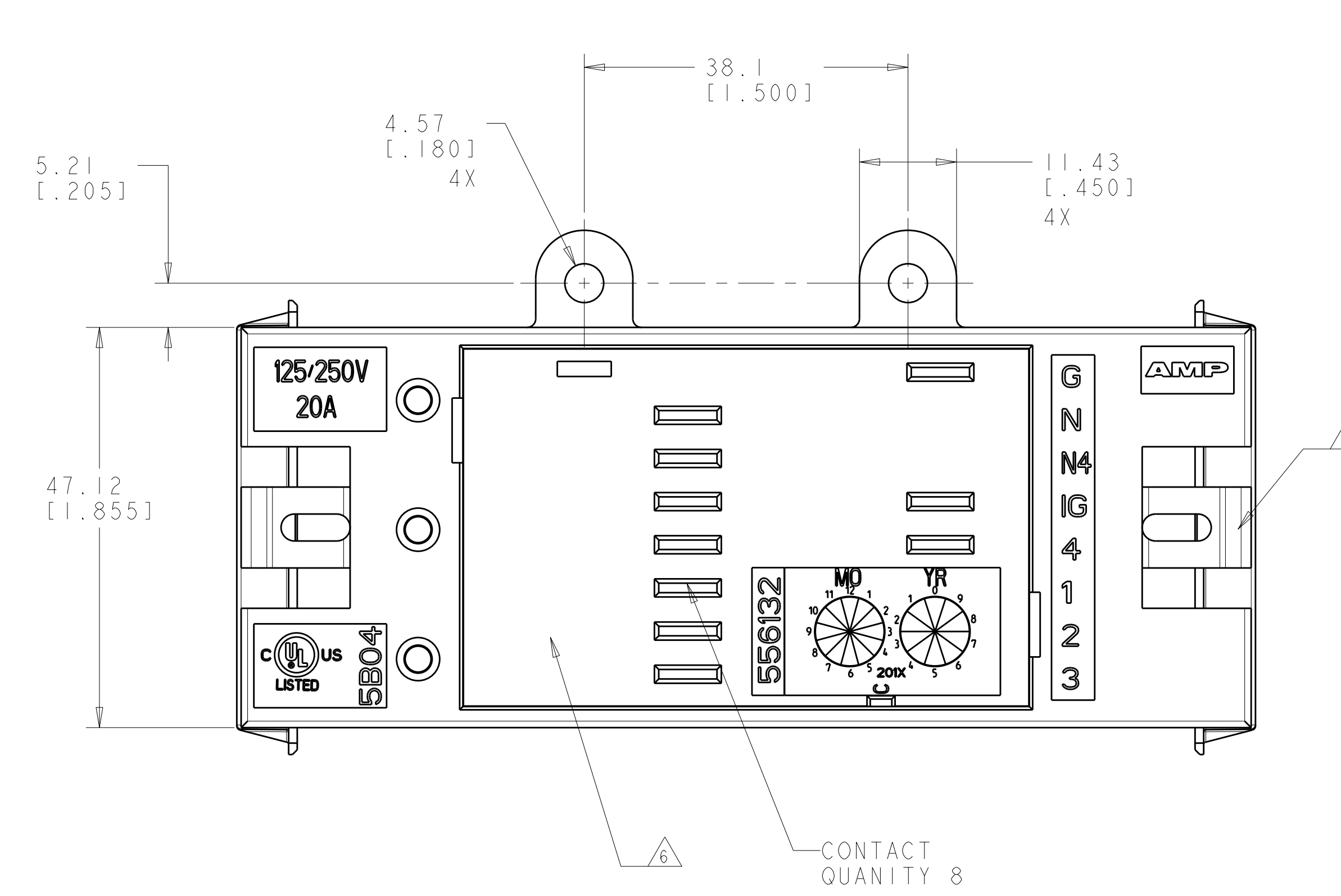
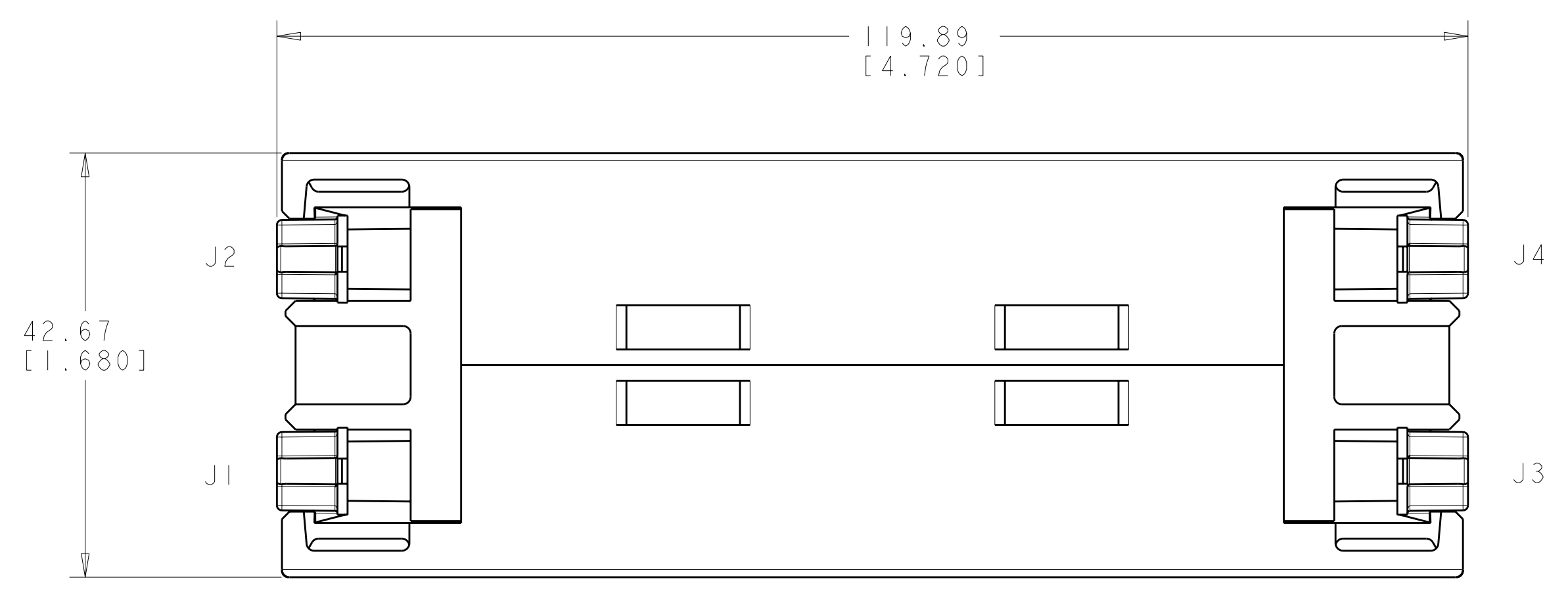
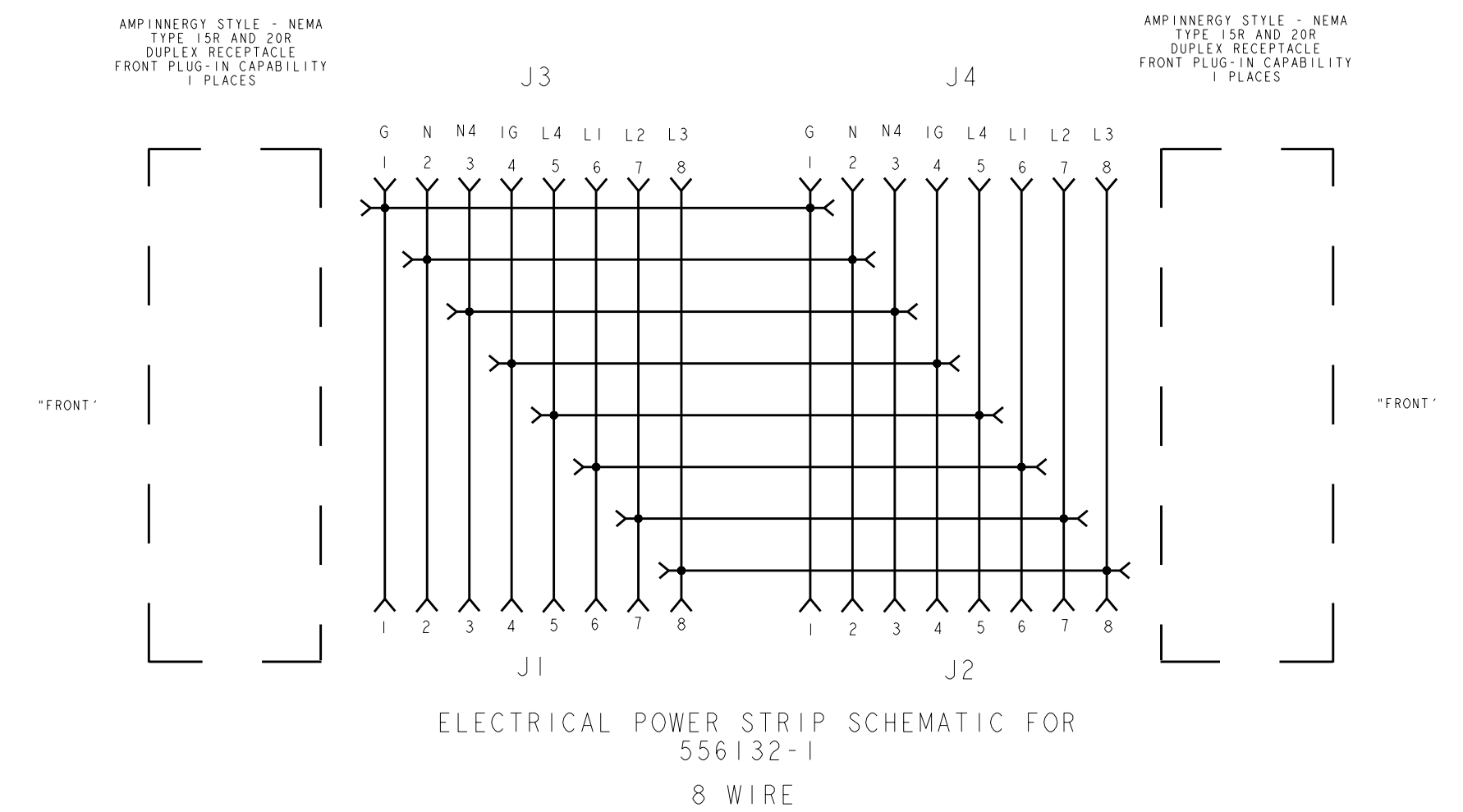


LOC	DIST	REV	DATE	BY	APP'D
HM	00	B	15DEC2006	LHS	FL
		C	14OCT2010	JB	SJ



- △ END CAP MATES WITH SHARED NEUTRAL 8-WIRE POWER CONNECTOR CABLE ASSEMBLY. KEYING FEATURE MAINTAINS CORRECT POLARITY OF MATING POWER CONNECTORS.
 - △ POSITIVE LATCHING TO POWER CONNECTOR.
 - △ MATERIAL: HOUSING - JUNCTION BOX HOUSING AND END CAP: POLYCARBONATE, UL94V-0 CLASSIFICATION. JUNCTION BOX CONTACTS - COPPER ALLOY, SELECTIVELY TIN PLATED AND SILVER PLATED .00508 [0.00200] MINIMUM THICKNESS. END CAP DUST COVERS - NYLON 6/6.
 - △ ALL DIMENSIONS ARE NOMINAL UNLESS OTHERWISE SPECIFIED.
 - 5. RATING: 125/250VAC, 20A (PER LINE).
 - △ THIS AREA OF THE JUNCTION BOX MATES WITH AMPINERGY SHARED NEUTRAL 8-WIRE DUPLEX RECEPTACLES. KEYING FEATURE MAINTAINS CORRECT POLARITY OF MATING DUPLEX RECEPTACLES.
 - △ REMOVE DUST COVERS TO CONNECT POWER CONNECTION(S). REPLACE DUST COVER WHEN END CAP CONNECTION IS NOT IN USE.
 - 8. APPLICATION: AMPINERGY MODULAR POWER DISTRIBUTION SYSTEM, A MANUFACTURED WIRING SYSTEM.
- IN LINE OR END OF LINE JUNCTION BOX ASSEMBLY THAT ACCEPTS UP TO TWO 15A OR 15/20A SHARED NEUTRAL 8-WIRE DUPLEX RECEPTACLES OF THE SAME OR DIFFERENT LINE DESIGNATIONS.
- DIFFERENT LINE RECEPTACLES CAN BE USED IN THE SAME JUNCTION BOX ASSEMBLY TO BALANCE LOADS.
- JUNCTION BOX ASSEMBLY IS DESIGNED TO SPLIT A BRANCH CIRCUIT IN THREE DIRECTIONS.



556132-1
PART NUMBER

DIMENSIONS: MM [INCHES] TOLERANCES UNLESS OTHERWISE SPECIFIED: 9 PLC ± .6 1 PLC ± .6 5 PLC ± .6 4 PLC ± .6 ANGLES ± .6 FINISH: 5		DWN: L. SMITH 15DEC2006 CHK: L. SMITH 13FEB2007 APVD: F. LINCOLN 13FEB2007 PRODUCT SPEC: - APPLICATION SPEC: - WEIGHT: - CUSTOMER DRAWING: -		Tyco Electronics Tyco Electronics Harrisburg, PA 17105-3608 NAME: J-BOX ASSEMBLY, LUG MOUNT, 8-WIRE SIZE: A 00779 C=556132 SCALE: 2:1 SHEET 1 OF 1 REV C	
---	--	--	--	---	--