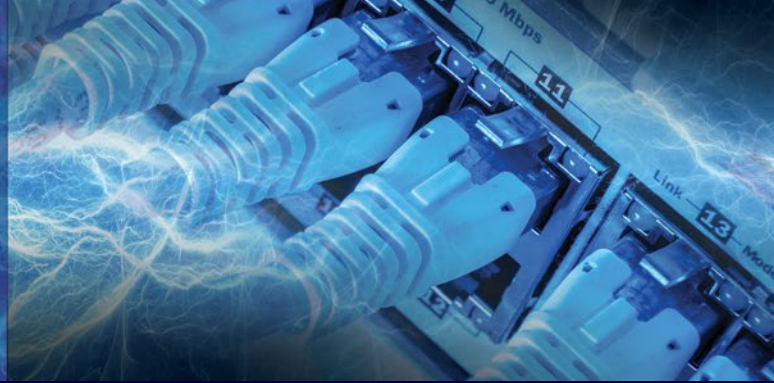
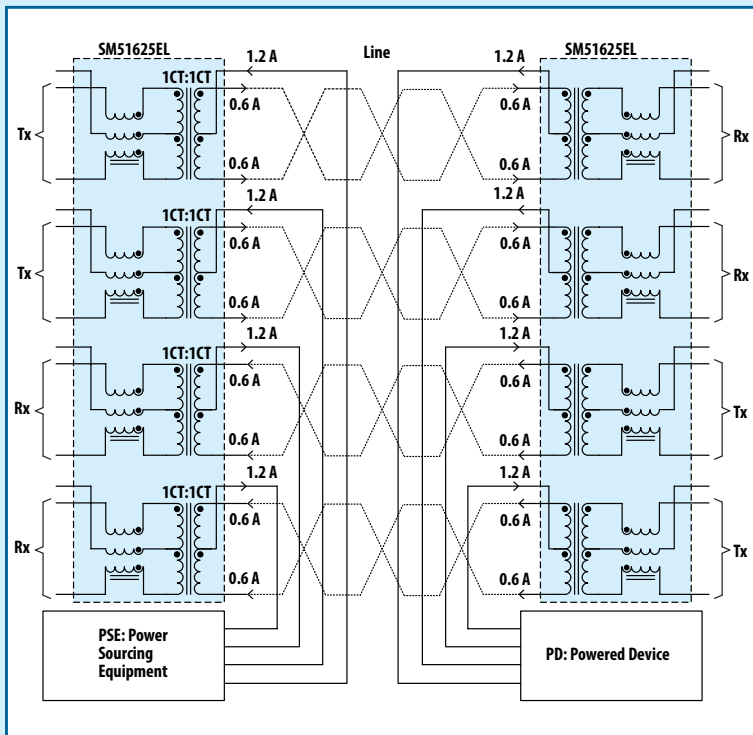


# BOURNS® TEL-NOTES

Power over Ethernet (PoE) Solutions



## EXPOSED POWER OVER ETHERNET (PoE) Circuit Conditioning



\*The Bourns® model SM51625EL transformer is built to meet IEEE 802.3 specification, by fitting in the specified limits defined in the Clause 40.8.3 for Medium Dependent Interface (MDI) of the IEEE 802.3-2012, thus helps ensure an application's compliance to IEEE 802.3-2012.

The schematic shown here illustrates the conditioning of the application and does not constitute the complete circuit design. Customers should verify actual device performance in their specific applications.

### Product



SM51625EL

### Design Kit



TEL-NOTEKIT-2

### Objective

Introduction of a high current PoE transformer, enabling higher power applications for outdoor PoE applications

### Solution

High current transformer:

- SM51625EL

### Compliance\*

IEEE802.3

### Features & Benefits

This solution enables high power delivery over Ethernet cables without impacting signal integrity

## BOURNS®

For more information, go to:

[www.bourns.com](http://www.bourns.com)

or email: [protection@bourns.com](mailto:protection@bourns.com)

Americas: Tel +1-951 781-5500  
Fax +1-951 781-5700

EMEA: Tel +36 88 520 390  
Fax +36 88 520 211

Asia-Pacific: Tel +886-2 256 241 17  
Fax +886-2 256 241 16

COPYRIGHT © 2016 • BOURNS, INC. • 01/16 • PSG • XX/IC1546  
"Bourns" is a registered trademark of Bourns, Inc.  
in the U.S. and other countries.