

## High Efficiency 4-CH LED Backlight Driver with Dual LCD Bias Power

### Features

#### ➤ Backlight LED Driver

- Wide input range: 2.7V~5.5V
- High efficiency step-up LED driver with 4-Ch current sinks, up to 32V boost voltage.
  - Up to 30mA/Ch in backlight mode
  - $\pm 0.7\%$  current matching at 20mA
  - $\pm 2.2\%$  current accuracy at 20mA
- I<sup>2</sup>C/PWM dual dimming control scheme
  - High resolution I<sup>2</sup>C 11-bit linear or exponential dimming
  - Wide range PWM dimming
    - 100Hz to 100kHz frequency
    - 0.2% to 100% duty cycle at 20kHz
- Programmable current sink turn on/off ramp time/shape and transition ramp up/down time
- Selectable boost switching frequency 1.0MHz or 500kHz with Auto-Frequency Mode supported
- Programmable input PWM hysteresis to minimize jitter at low PWM duty cycle
- Programmable OVP and current limitation
- LED open/short protection

#### ➤ LCD Panel Bias

- Wide input range: 2.7V~5.5V
- Programmable dual output Bias regulator using a single inductor
- Programmable ramp time for OOTP and OUTN
- Charge pump PFM mode at light load
- LCD Bias efficiency: up to 85%
- Wide dual output voltage range  $\pm 4.0V$  to  $\pm 6.3V$  (50mV/step) and output current up to 120mA
- Active output discharge function
- Current limitation and short protection

#### ➤ Others

- System level input UVLO
- Thermal shutdown protection
- Low shutdown current  $< 1\mu A$
- Flexible I<sup>2</sup>C interface
- Pb-free Packages: WLCSP-24
- -40°C to +85°C Temperature Range

### Brief Description

KTZ8864 is the ideal power solution for LED backlighting and LCD bias power of small and medium size panels. It integrates a step-up converter for LED backlighting, a step-up converter with LDO and inverting charge pump for LCD bias power, resulting in a simpler and smaller solution with fewer external components. High switching frequency allows the use of a smaller inductor and capacitor. Its input operating range is from 2.7V to 5.5V, accommodating 1-cell lithium ion batteries or 5V supply.

The LED driver's four regulated current sinks can regulate up to 30mA with its maximum boost output voltage up to 32V. 11-bit linear or exponential  $I_{LED}$  resolution can be obtained over I<sup>2</sup>C or PWM dimming. For additional flexibility, PWM dimming offers wide range frequency and duty cycle to support Content Adaptive Brightness Control (CABC).

The LCD bias power section includes a step-up converter, LDO and an inverting charge pump to generate dual outputs, OOTP and OUTN, whose voltages can be programmed via an I<sup>2</sup>C interface. By integrating synchronous rectification MOSFETs for the step-up converter and charge pump, the KTZ8864 maximizes conversion efficiency up to 85%.

Various protection features are built into KTZ8864, including inductor current limit protection, output short circuit protection, output over-voltage protection, LED fault (open or short) protection and thermal shutdown protection.

KTZ8864 is equipped with I<sup>2</sup>C interface for various controls and status monitor.

KTZ8864 is available in a RoHS compliant 24-ball 1.72mm x 2.45mm x 0.62mm WLCSP.

### Applications

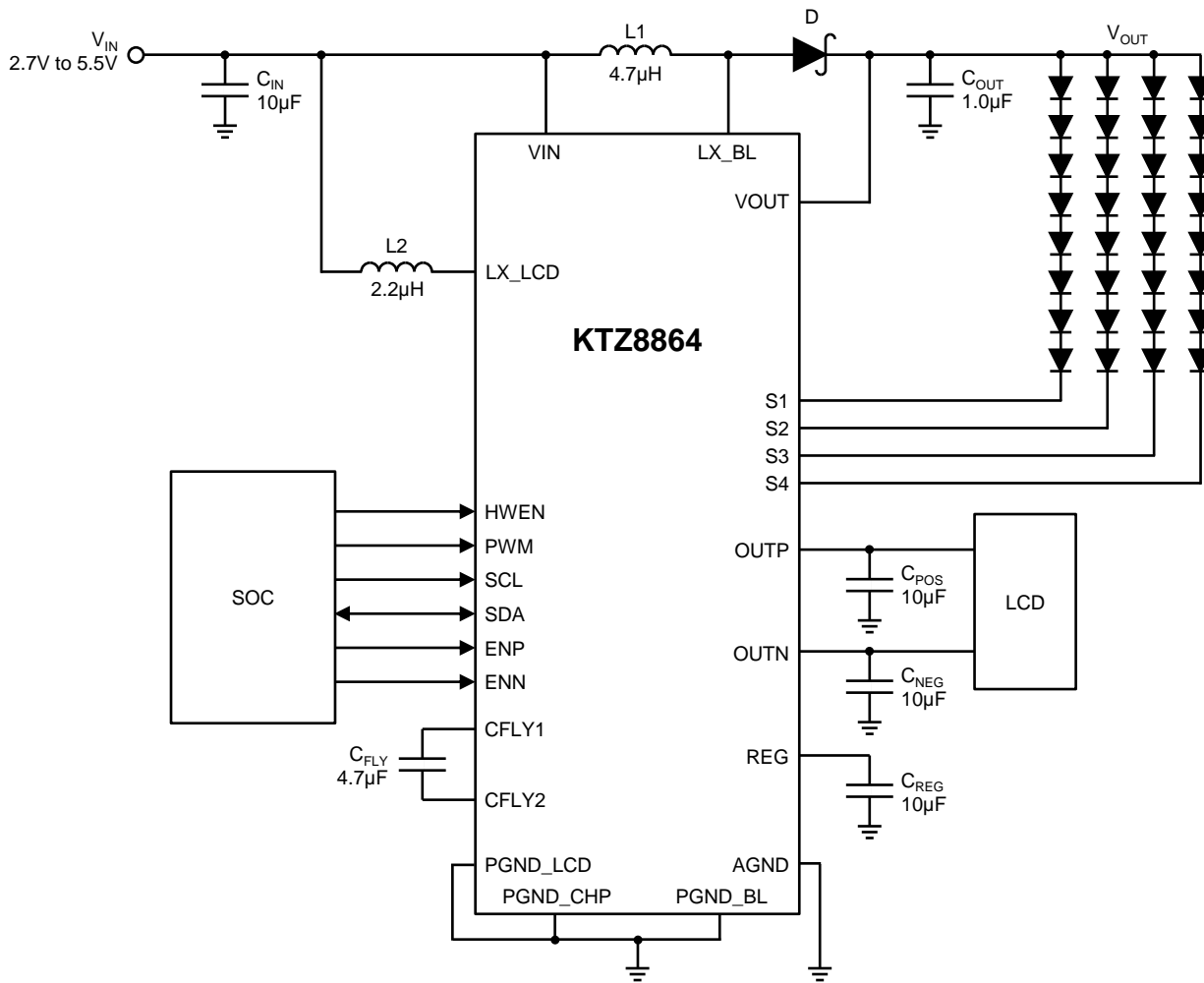
- Smartphone/Tablet Backlight

### Ordering Information

Part Number	Marking <sup>1</sup>	Operating Temperature	Package
KTZ8864EJAA-TR	NDXXYYZZZZ	-40°C to +85°C	WLCSP-24

1. "XXYYZZZZ" is the date code and assembly code.

### Typical Application



Kinetic Technologies cannot assume responsibility for use of any circuitry other than circuitry entirely embodied in a Kinetic Technologies product. No intellectual property or circuit patent licenses are implied. Kinetic Technologies reserves the right to change the circuitry and specifications without notice at any time.