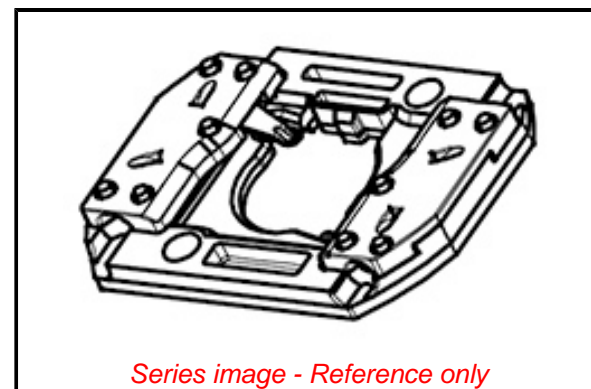


PLEASE CHECK WWW.MOLEX.COM FOR LATEST PART INFORMATION

Part Number: [1804142112](#)
Status: **Active**
Overview: LED Array Holders for Citizen and Similar COB Arrays
Description: LED Array Holder for 13.50 by 13.50mm COB, Gold (Au) Plating, PBT, One-Piece Design, without Tab Cap, White

Documents:

3D Model	Packaging Specification PK-180419-005 (PDF)
Drawing (PDF)	Test Summary TS-180155-001-001 (PDF)
Product Specification 1804140000-PS-000 (PDF)	RoHS Certificate of Compliance (PDF)
Application Specification AS-180414-001-001 (PDF)	



Series image - Reference only

Agency Certification

UL E345583

General

Product Family	Solid State Lighting
Series	180414
Array Type	Citizen
Beam Angle	N/A
Overview	LED Array Holders for Citizen and Similar COB Arrays
Product Name	Wire Trap Holder
Type	LED COB Array Holder
UPC	889056023528

Physical

Base Type	N/A
Color Rendering Index (CRI)	N/A
Correlated Color Temp (CCT)	N/A
Depth	0.75mm
Flammability	94V-0
Lamp Type	N/A
Material - Metal	Copper Alloy
Mounting Style	Screws
Net Weight	3.451/g
Packaging Type	Tray

Electrical

Lamp Wattage - Maximum	N/A
Lumens	N/A
Voltage (Fixture) - Maximum	300V DC
Wiring Style	Poke In Wire Traps

Material Info

Reference - Drawing Numbers

Application Specification	AS-180414-001-001
Packaging Specification	PK-180419-005
Product Specification	1804140000-PS-000
Sales Drawing	SD-180414-112
Test Summary	TS-180155-001-001

EU ELV

Not Relevant

EU RoHS

Not Reviewed

REACH SVHC

Not Contained Per -
ED/61/2018 (27 June
2018)

Halogen-Free

Status

Not Low-Halogen

For more information, please visit [Contact US](#)

China ROHS

ELV

RoHS Phthalates

China RoHS

Green Image

Not Relevant

Not Contained

Search Parts in this Series

180414 Series

Use With

13.50mm by 13.50mm COB