

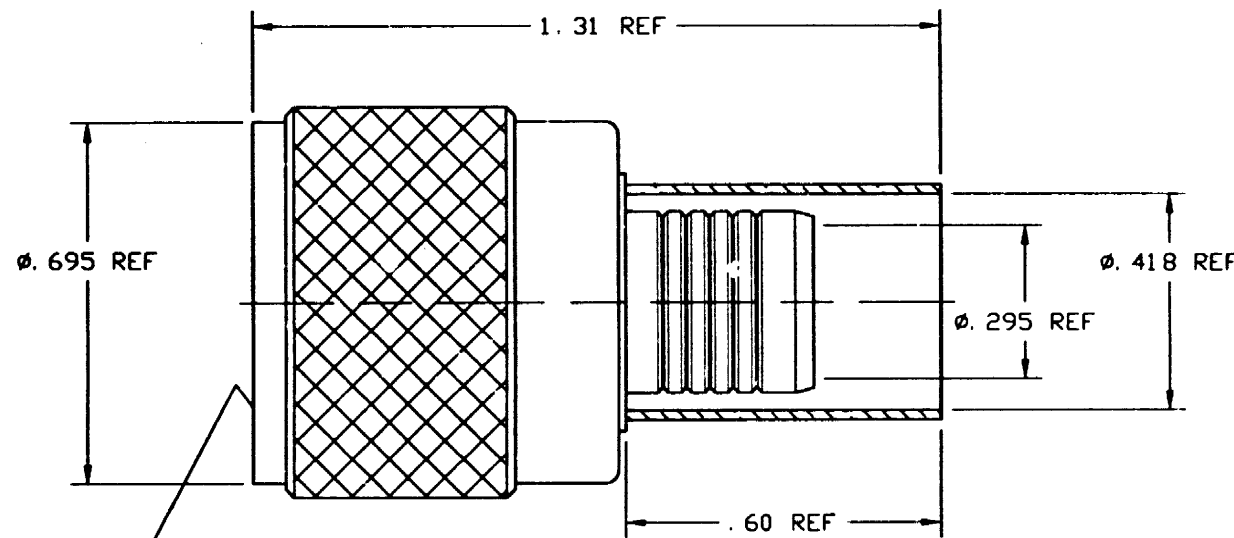
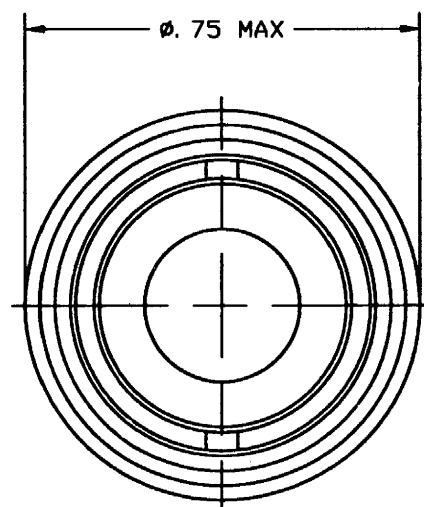
NOTES:

1. PLATING MUST CONFORM TO AMPHENOL SPEC. 349-50560.
BODY AND COUPLING NUT: BRASS, ASTROPLATED.
FERRULE: ANNEALED COPPER TUBING, ASTROPLATED.
4. ASTERISK (*) INDICATES CABLE ENTRY DIM.
5. CRIMP WITH AMPHENOL TOOL 227-944 AND DIE SET 227-1221-25 (.429 HEX)
6. DO NOT SCALE THIS DRAWING.

83-8SP-1004

REVISIONS

DRAWING NO.	REV	DESCRIPTION	DATE	ECO	APPR
THIRD ANGLE PROJ.	A	OFFICIAL ENG. RELEASE TO MFG.	10/2/97	42158	PB/TA
	B	SEE SHEET 1 FOR REVISIONS	10/9/97	42170	PB/



.625-24UNEF-2B THD.

CUSTOMER DRAWING

<p>UNLESS OTHERWISE SPECIFIED, DIMENSIONS ARE IN INCHES AND TOLERANCES ARE: 2 PLACE DECIMAL 3 PLACE DECIMAL ANGLES ±.015 (0.381 mm) ±.005 (0.127 mm) ± 1°</p> <p>NOTICE - These drawings, specifications, or other data (1) are, and remain the property of Amphenol Corp. (2) must be returned upon request; and (3) are confidential and not to be disclosed to any person other than those to whom they are given by Amphenol Corp. The furnishing of these drawings, specifications, or other data by Amphenol Corp., or to any other person to anyone for any purpose is not to be regarded by implication or otherwise in any manner licensing, granting rights or permitting such holder or any other person to manufacture, use or sell any product, process or design, patented or otherwise, that may in any way be related to or disclosed by said drawings, specifications, or other data.</p>	<p>MATERIAL</p>	<p>DRAWN</p> <p>P. BRENZEL</p>	<p>DATE</p> <p>29 SEP 97</p>	<p>TITLE</p> <p>"UHF" PLUG FOR RG-213/U</p>	<p>Amphenol Amphenol Corporation RF/Microwave Operations Danbury, Conn. U.S.A. 06810</p>	
	<p>REFERENCE</p> <p>EAR 966704 0</p>	<p>ENGINEER</p> <p>P. BRENZEL</p>	<p>DATE</p> <p>29 SEP 97</p>			
		<p>APPROVED</p> <p>T. AUBIN</p>	<p>DATE</p> <p>10/1/97</p>	<p>SCALE: 3:1</p>	<p>SHEET 2 OF 2</p>	
		<p>CAD FILE</p> <p>H:\DEPT611\UHF\083\ASSY\8SP1004C</p>	<p>CODE ID</p> <p>74868</p>	<p>DWG SIZE</p> <p>B</p>	<p>DRAWING NO.</p> <p>83-8SP-1004</p>	<p>ISSUE</p> <p>B</p>