

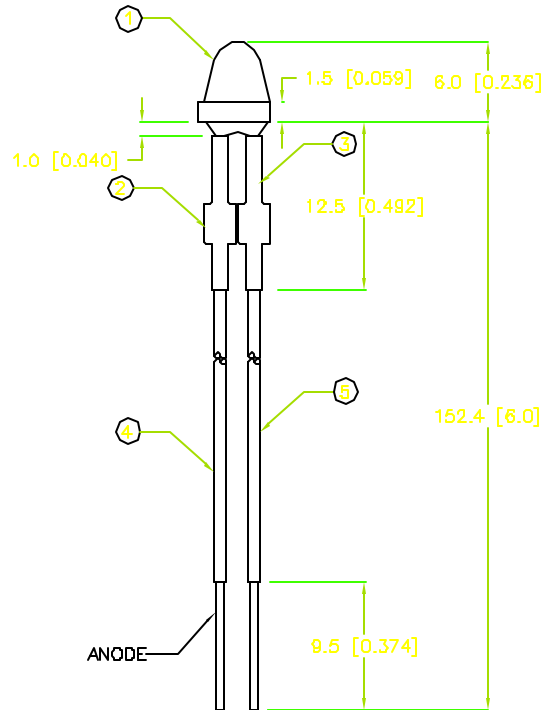
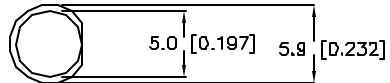
DATE

REVISIONS

REV

DRAWING NUMBER
SSI-LX5063ID-150

REV

**NOTES:**

1. SSI-LX5063ID LED, TRIM LEADS TO 5mm.
2. CRIMP LEAD WIRES TO LED LEADS, (2 PCS.)
3. HEAT SHRINK INSULATION, 12.5mm IN LENGTH, (2 PCS.)
4. ANODE: LXP-WST24RDTQC, CUT 150mm, STRIP 4mm & 9.5mm.
5. CATHODE: LXP-WST24BLTQC, CUT 150mm, STRIP 4mm & 9.5mm.

LX5063AM

ELECTRO-OPTICAL CHARACTERISTICS $T_A=25\text{ }^\circ\text{C}$ $I_f=20\text{mA}$

PARAMETER	MIN	TYP	MAX	UNITS	TEST COND
PEAK WAVELENGTH		635 (RED)		nm	
FORWARD VOLTAGE		2.0	2.8	V_f	$I_f=20\text{mA}$
REVERSE VOLTAGE	5.0			V_r	$I_r=100\mu\text{A}$
AXIAL INTENSITY		50		mcd	$I_f=20\text{mA}$
VIEWING ANGLE		60		2x theta	
EMITTED COLOR :	RED				
EPOXY LENS FINISH:	RED DIFFUSED				

LIMITS OF SAFE OPERATION AT 25 DEG. C

PARAMETER	MAX	UNITS
PEAK FORWARD CURRENT*	150	mA
STEADY CURRENT	30	mA
POWER DISSIPATION	105	mW
DERATE FROM 25 °C	-1.2	mW/°C
OPERATING, STORAGE TEMP.	-40 TO +85	°C
LEAD SOLDERING TEMP.	+260	°C
2.0mm FROM BODY		3 SEC. MAX

* $t < 10\mu\text{s}$ **RELIABILITY NOTE**

OUR MANY YEARS OF EXPERIENCE DATA ACCUMULATION INDICATE THAT SOLDER HEAT IS A MAJOR CAUSE OF EARLY AND FUTURE FAILURE. PLEASE PAY ATTENTION TO YOUR SOLDERING PROCESS.

OPTO COMPONENTS INC.

292 E. HELLEN ROAD
PALATINE, ILLINOIS 60067
(708) 359-2790

DATE: 6-22-95

APPROVED BY:

DRAWN BY:

SCALE: N/A

SHORT PROFILE T-5 (T-1 3/4) LED, RED DIFFUSED LENS
WITH 8" LEADS

PAGE 1 OF 1

DRAWING NUMBER
SSI-LX5063ID-150

REV