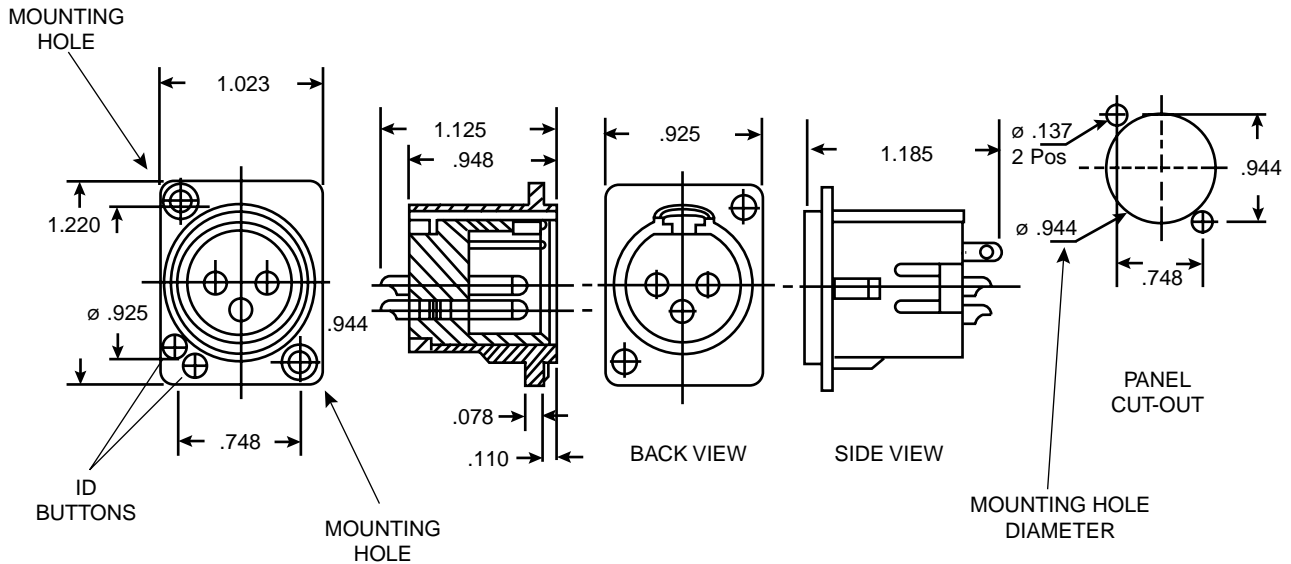


Dimensions (In.)



Mouser Stock No.	Silver Contacts		Gold Contacts	
	Nickel	Black	Nickel	Black
3 PIN	174-7173	174-7193	174-72303	174-72503
4 PIN	174-7174	174-7194	174-72304	174-72504
5 PIN	174-7175	174-7195	174-72305	174-72505

Specification

- Housing: zinc high-pressure diecasting Satin Nickel or Black Chrome
- Contact base: valox DR48 UL 94V-0
- Contacts: brass, 3 microns silver anti-tarnish finish or 0.5 microns gold plate
- Earth tag: spring steel, nickel plate 3 microns silver plate
- * Ident buttons: acetal (UL 94 HB)
- Ident options: yellow, brown, blue, green, red, white, black or clear
- Operating temp: -30° C to +80° C
- Insertion force: $\leq 20N$
- Withdrawal force: $\leq 10N$
- Minimum number of insertions: 10,000
- Rated current per contact: 16, 10 or 7.5 amps
- Maximum wire size: 12, 16 or 18 AWG
- Rated voltage: 250 VAC
- Test voltage: 1500 VAC
- Contact resistance: $\leq 3m\Omega$
- Insulation resistance: $\geq 1G\Omega$
- * Sold Separately