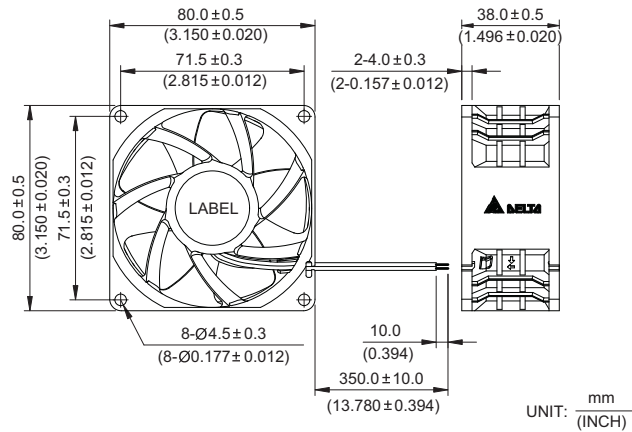


New



QFR 80 x 80 x 38 MM SERIES

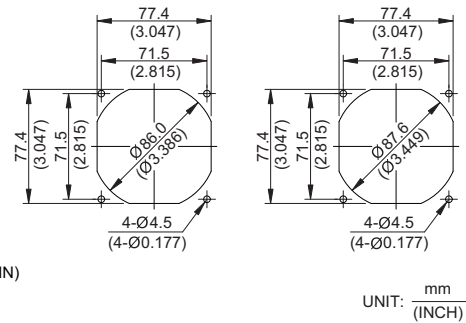
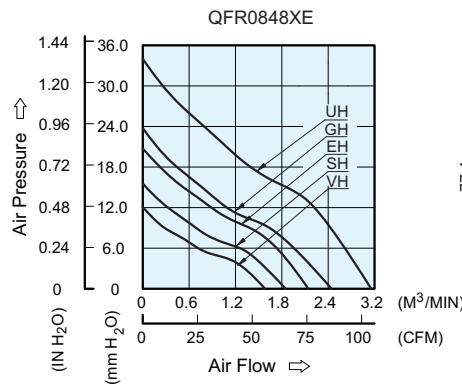
DIMENSIONS DRAWING



- * Bearing Type
Ball Bearings
- * Material
Impeller & Frame : Plastic (UL 94V-0)
- * Lead Wires :
UL 1007 AWG #24 OR Equivalent
Red Wire Positive (+)
Black Wire Negative (-)
- * Weight : 160g (5.64 oz)

P & Q CURVE (AT RATED VOLTAGE)

MOUNTING PANEL CUTOUT



MODEL		Rated Voltage	Operating Voltage Range	Rated Current	Rated Input Power	Speed	Maximum Air Flow		Maximum Air Pressure		Noise
PART NO.	FUNCTION	VDC	VDC	Amp	Watt	R.P.M.	m ³ /min	CFM	mmH ₂ O	IN H ₂ O	dB-A
QFR0812VHE	-R00 / -F00	12	7.0 to 13.2	0.25	3.00	5200	1.688	59.62	12.08	0.476	44.4
QFR0812SHE	-R00 / -F00	12	7.0 to 13.2	0.37	4.44	5900	1.907	67.35	15.04	0.592	48.4
QFR0812EHE	-R00 / -F00	12	7.0 to 13.2	0.52	6.24	6800	2.214	78.17	19.80	0.780	52.8
QFR0812GHE	-R00 / -F00	12	7.0 to 13.2	0.66	7.92	7500	2.445	86.36	23.76	0.935	55.4
QFR0812UHE	-R00 / -F00	12	7.0 to 13.2	1.15	13.80	9000	2.979	105.21	33.91	1.335	60.0

* Function type is optional.
 * The max. air flow and the speed are measured in free air ; max. air pressure is measured at zero air flow.
 * Noise is measured in anechoic chamber in free air, one meter from intake side.
 * All readings are typical values at rated voltage.
 * Specifications are subject to change without notice.