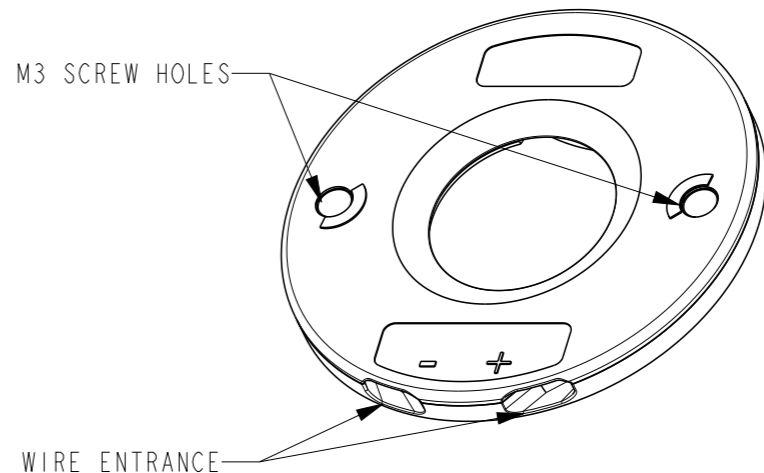
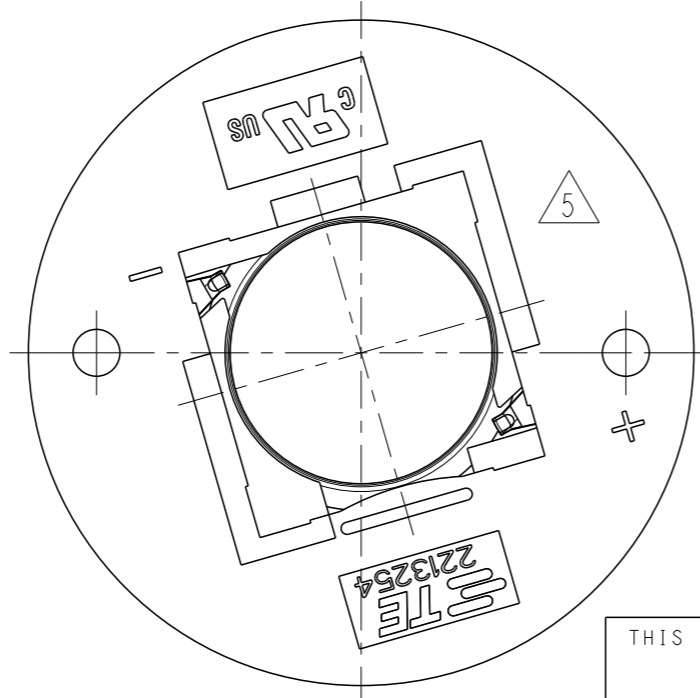
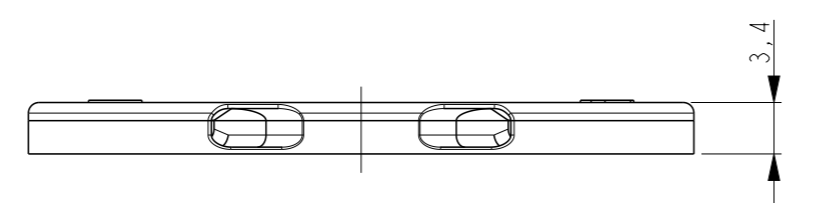
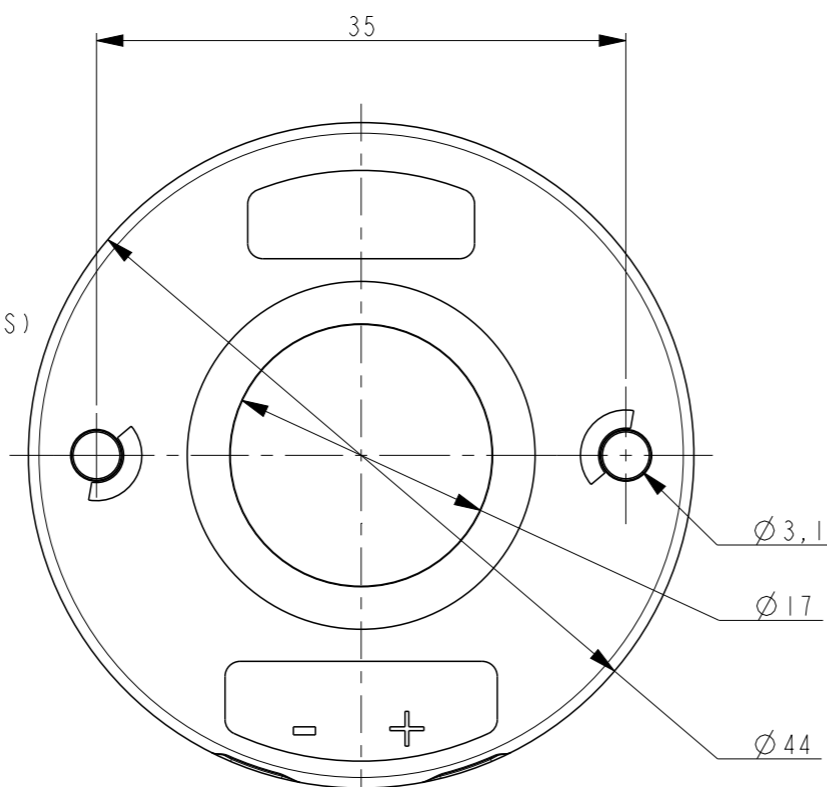


THIS DRAWING IS UNPUBLISHED. RELEASED FOR PUBLICATION  
 © COPYRIGHT - BY TYCO ELECTRONICS CORPORATION. ALL RIGHTS RESERVED.

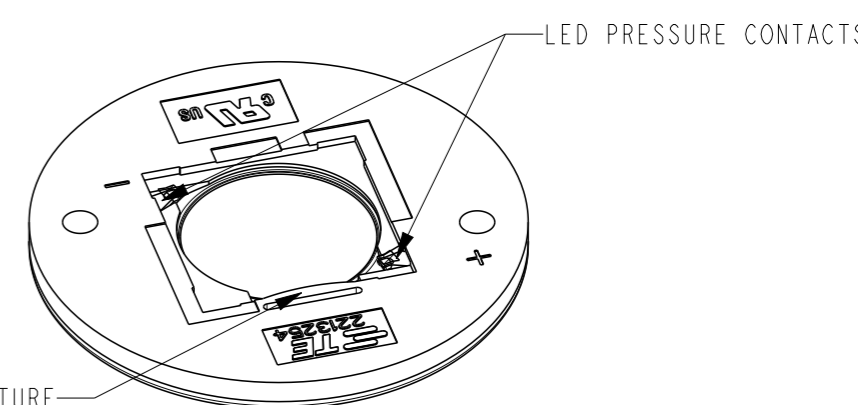
LOC	DIST	REVISIONS					
		P	LTR	DESCRIPTION	DATE	DWN	APVD
H	-		A2	ECR-16-001206	27JAN2016	KR	MvE
			A3	ADDED RELEASED LED	06FEB2017	RK	MvE
			B	MATERIAL CHANGE UPDATED	28FEB2017	RK	MvE
			B1	ADDED INSERT	29JUN2017	RK	OL

NOTES:

- MATERIALS:  
HOUSING: GLASS FILLED PBT, HALOGEN FREE FLAME RETARDENT  
COLOR : NATURAL/WHITE  
CONTACTS: SILVER PLATED COPPER ALLOY
- FOR SOLID AND STRANDED WIRE AWG 22-18
- COMPLIES WITH DIRECTIVE 2002/95/EC (ROHS)
- M3 SCREW TO BE USED FOR MOUNTING
- DATE CODE YY-WW-D ANY WHERE EXCEPT OVER LOGO OR +/- SIGN.



SCALE 3:2



2213254-1 AS SHOWN

LUMAWISE LED HOLDER Z50 LOW PROFILE

2213254-2	LUMAWISE LED HOLDER Z50 STANDARD PROFILE 1919
2213254-1	LUMAWISE LED HOLDER Z50 LOW PROFILE 1919
PART NUMBER	DESCRIPTION

THIS DRAWING IS A CONTROLLED DOCUMENT.

DIMENSIONS:	TOLERANCES UNLESS OTHERWISE SPECIFIED:
mm	0 PLC ±-
	1 PLC ±-
	2 PLC ±-
	3 PLC ±-
	4 PLC ±-
	ANGLES ±-
MATERIAL	FINISH
-	-

DWN	M.V.ESSSEN	6-AUG-13
CHK	M.V.ESSSEN	6-AUG-13
APVD	O.I.FIJNSE	6-AUG-13
PRODUCT SPEC	108-133008	
APPLICATION SPEC	114-32048	
WEIGHT	-	

TE Connectivity			
SIZE	CAGE CODE	DRAWING NO	RESTRICTED TO
A3	00779	C-2213254	-

CUSTOMER DRAWING	SCALE 2:1	SHEET 1 OF 3	REV B1
------------------	-----------	--------------	--------

THIS DRAWING IS UNPUBLISHED.

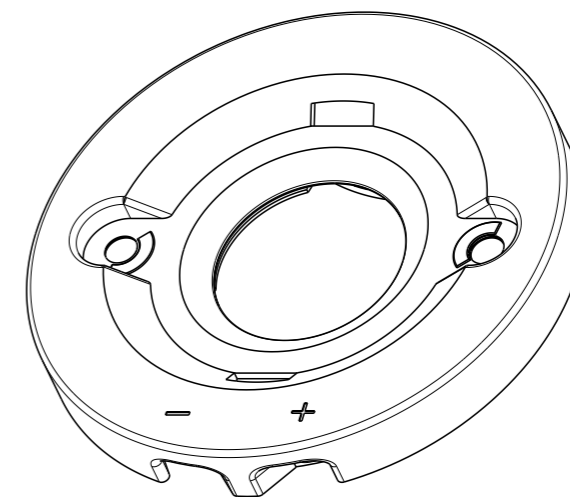
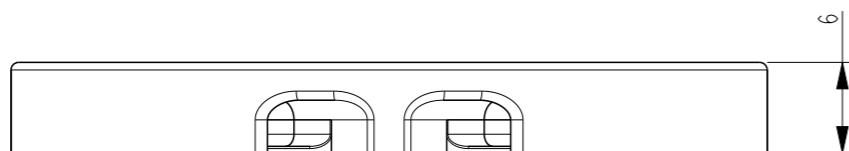
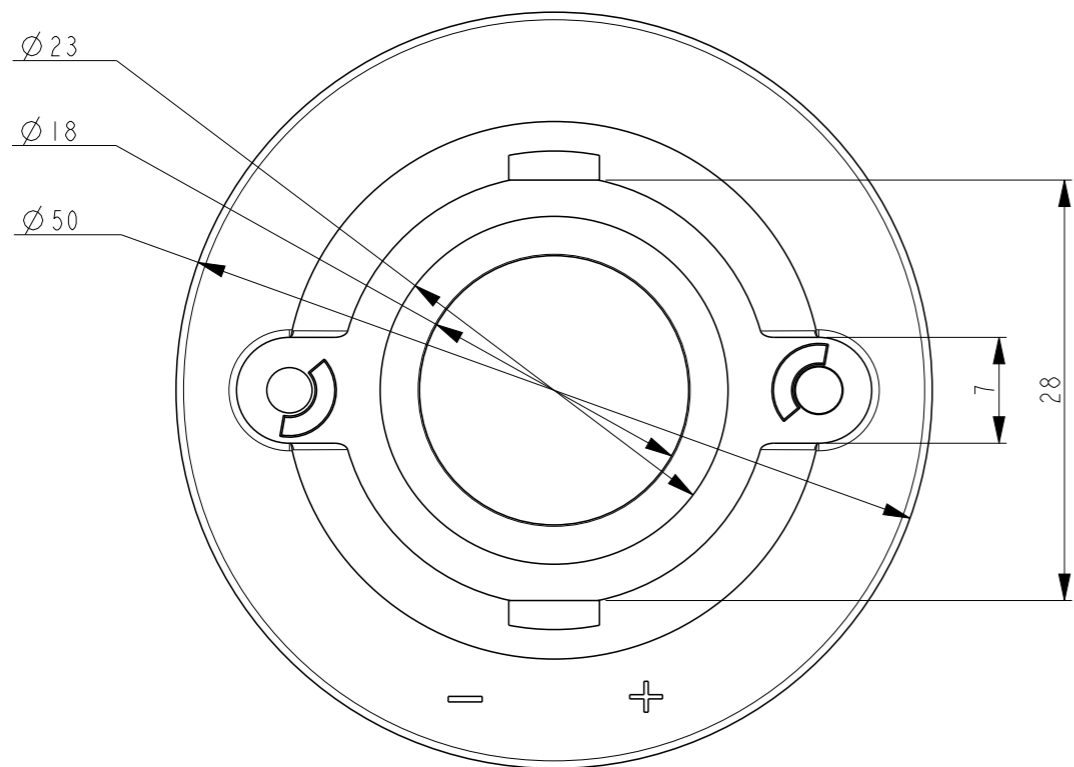
RELEASED FOR PUBLICATION

© COPYRIGHT - BY TYCO ELECTRONICS CORPORATION. ALL RIGHTS RESERVED.

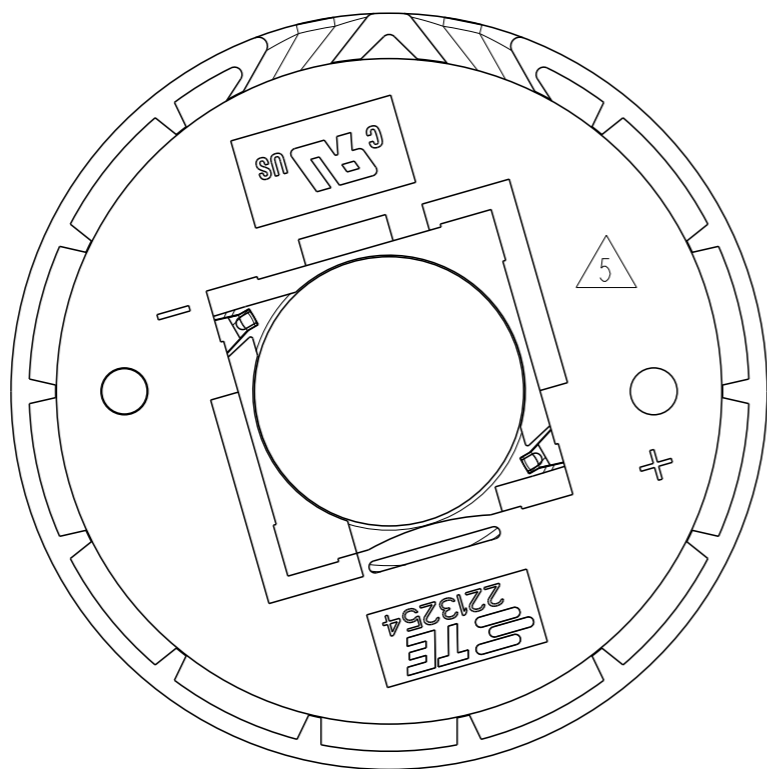
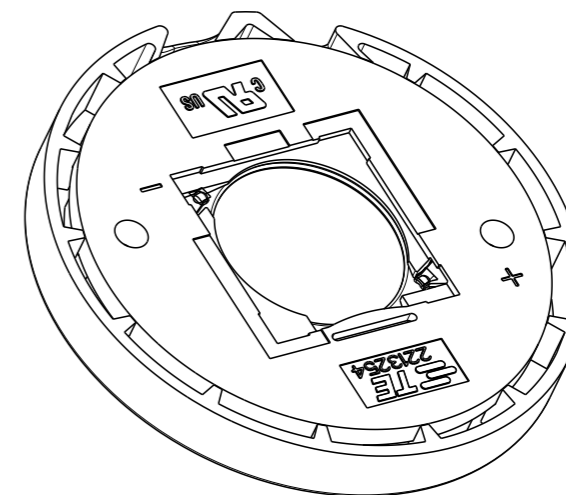
LOC DIST

REVISIONS

P	LTR	DESCRIPTION	DATE	DWN	APVD
	-	SEE SHEET 1	-	-	-



SCALE 3:2



2213254-2 AS SHOWN

LUMAWISE LED HOLDER Z50 STANDARD PROFILE

THIS DRAWING IS A CONTROLLED DOCUMENT.

DIMENSIONS:	TOLERANCES UNLESS OTHERWISE SPECIFIED:
mm	
	0 PLC ±-
	1 PLC ±-
	2 PLC ±-
	3 PLC ±-
	4 PLC ±-
	ANGLES ±-
MATERIAL	FINISH
-	-
-	-

DWN	M.V.ESSEN	6-AUG-13
CHK	M.V.ESSEN	6-AUG-13
APVD	O.I.FIJNSE	6-AUG-13
PRODUCT SPEC	108-133008	
APPLICATION SPEC	114-32048	
WEIGHT	-	
CUSTOMER DRAWING		

		TE Connectivity	
		NAME	
LUMAWISE LED HOLDER Z50		1919	
SIZE	CAGE CODE	DRAWING NO	RESTRICTED TO
A3	00779	C-2213254	-
SCALE 2:1		SHEET 2 OF 3	REV B1

THIS DRAWING IS UNPUBLISHED. RELEASED FOR PUBLICATION  
 © COPYRIGHT - BY TYCO ELECTRONICS CORPORATION. ALL RIGHTS RESERVED.

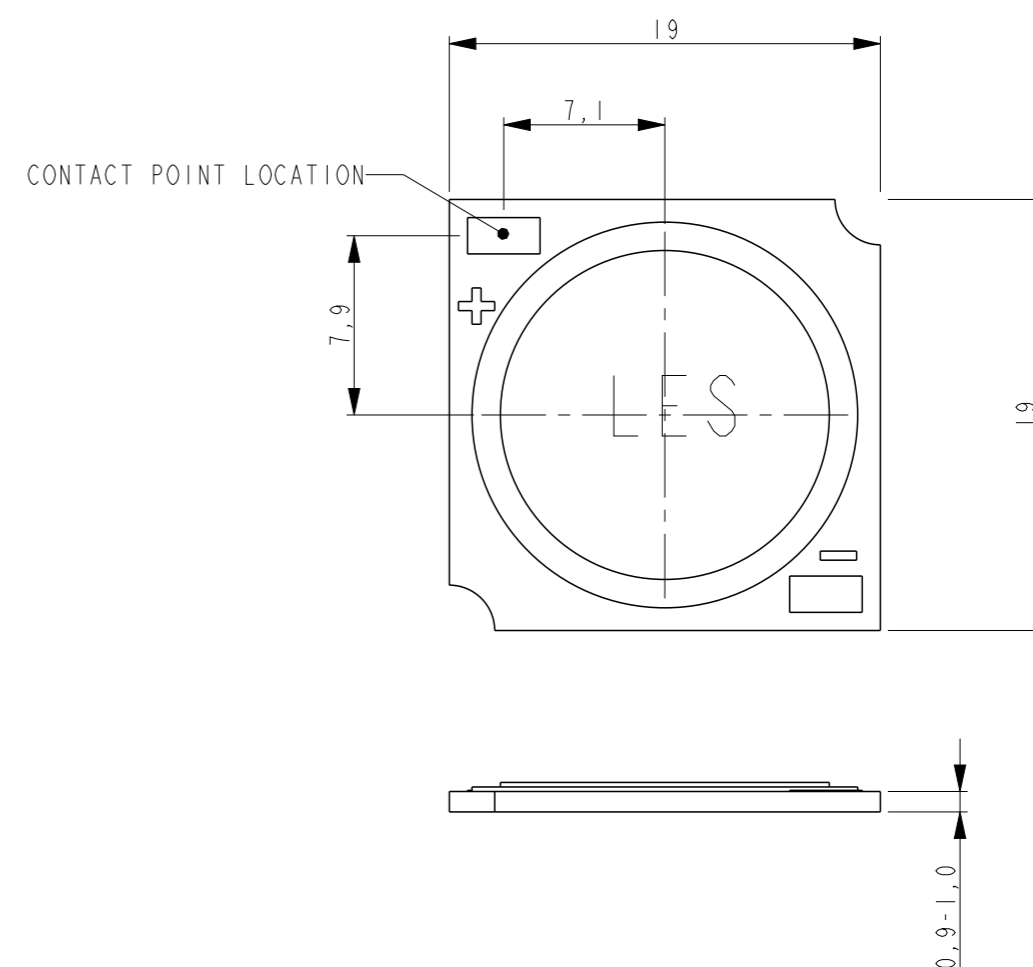
LOC	DIST	REVISIONS					
		P	LTR	DESCRIPTION	DATE	DWN	APVD
			-	SEE SHEET 1	-	-	-

## RELEASED LEDS

NAME	TYPE	DATA SHEET	REVISION	TE PART NUMBERS
CITIZEN	CLL 030			2213254-1/-2
CITIZEN	CITIZEN CLL 030			2213254-1/-2
CITIZEN	CLL036-1205C1			2213254-1/-2
CITIZEN	CLL036-1206C1			2213254-1/-2
CITIZEN	CLL036-1208C1, REF.CE-P3080 04/15			2213254-1/-2
CITIZEN	CLU034			2213254-1/-2
CITIZEN	CLU036			2213254-1/-2
CITIZEN	CLU720			2213254-1/-2
CITIZEN	CLL032		CLL032-1212A5-403MIA2	2213254-1/-2
LEXTAR	LEXTAR NIMBUS 1500		E14.07.010	2213254-1/-2
SEOUL	SEOUL SBW2F1B			2213254-1/-2
SEOUL	SEOUL SBW3F1A			2213254-1/-2
SEOUL	SDW02F1C (ZC12)			2213254-1/-2
SEOUL	SDWX3F1C			2213254-1/-2
OSRAM	OSRAM S13 2 <sup>ND</sup> GEN.			2213254-1/-2
TRIDONIC	SLE-G5-LES15			2213254-1/-2
SEOUL SEMI	SDW02F1C (ZC12)		REV6.0, DEC 2, 2015	2213254-1/-2
PANASONIC	C14 1919		20150730	2213254-1/-2
BRIDGELUX	H15		DS83 REV. A (2/2016)	2213254-1/-2
BRIDGELUX	VI3D GEN 7 ARRAY		DS101 REV. C (07/2016)	2213254-1/-2
TRIDONIC	SLE-G6-LES15		JUNE 22ND 2016	2213254-1/-2
TRIDONIC	SLE-G6-LES17		JUNE 22ND 2016	2213254-1/-2
TRIDONIC	G6 LES 15 SNC/ADV		42614	2213254-1/-2
TRIDONIC	G6 LES 17 SNC/ADV/EXC		42614	2213254-1/-2
EDISON OPTO	2PHM30XWXXPI3001		29-JUL 2014, VERSION 3	2213254-1/-2
EVERLIGHT	EAHP1919/XUANI919			2213254-1/-2
LUMINUS	CHM-9-XH00		NOT FOUND	2213254-1/-2
LUMINUS	CXM-11-AC00		PDS-002279 REV 05	2213254-1/-2
LUMINUS	CHM-11-XH00		PDS-002624 REV 03	2213254-1/-2
LUMINUS	CLM-14 GEN 3		PDS-002819 REV 02	2213254-1/-2
LUMINUS	CXM-14 GEN 3		PDS-002820 REV 02	2213254-1/-2

THE SKETCH BELOW IS SHOWING THE NOMINAL LED COB DIMENSIONS TO MATCH WITH THE Z50 LED HOLDER 1919

FOR TECHNICAL DETAILS ABOUT A PROPER MATCH WITH A SPECIFIC LED COB ARRAY PLEASE CONTACT A REPRESENTATIVE AT TE-CONNECTIVITY



THIS DRAWING IS A CONTROLLED DOCUMENT.		DWN M.V.ESSEN 6-AUG-13	<b>TE Connectivity</b>													
DIMENSIONS: mm		CHK M.V.ESSEN 6-AUG-13														
TOLERANCES UNLESS OTHERWISE SPECIFIED:		APVD O.I.FIJNSE 6-AUG-13														
<table border="0"> <tr><td>0 PLC</td><td>±-</td></tr> <tr><td>1 PLC</td><td>±-</td></tr> <tr><td>2 PLC</td><td>±-</td></tr> <tr><td>3 PLC</td><td>±-</td></tr> <tr><td>4 PLC</td><td>±-</td></tr> <tr><td>ANGLES</td><td>±-</td></tr> </table>		0 PLC	±-	1 PLC	±-	2 PLC	±-	3 PLC	±-	4 PLC	±-	ANGLES	±-	PRODUCT SPEC 108-133008	NAME LUMAWISE LED HOLDER Z50 1919	
0 PLC	±-															
1 PLC	±-															
2 PLC	±-															
3 PLC	±-															
4 PLC	±-															
ANGLES	±-															
MATERIAL -		APPLICATION SPEC 114-32048	SIZE A3	CAGE CODE 00779	DRAWING NO C-2213254	RESTRICTED TO -										
FINISH -		WEIGHT -	CUSTOMER DRAWING		SCALE 2:1	SHEET 3 OF 3	REV B1									