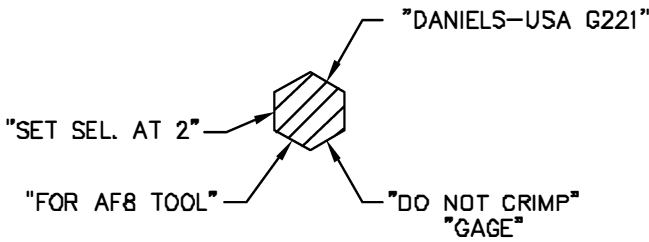
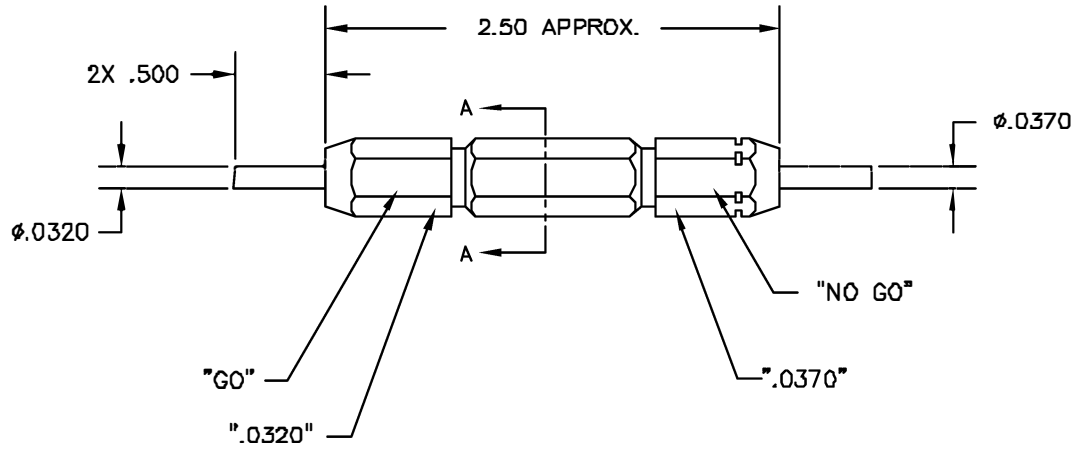


REVISIONS				
REV. SYN.	ECG. NUMBER	DESCRIPTION	BY DATE	APP'D DATE
1		ORIGINAL RELEASE	JWJ 8/1/02	RRR 8/1/02



SECTION A-A



**UNCONTROLLED DOCUMENT
WILL NOT BE UPDATED**

RESTRICTED & CONFIDENTIAL CONFIDENTIAL PROPERTY OF DANIELS MANUFACTURING CORP. NOT TO BE DISCLOSED TO OTHERS. REPRODUCED OR USED FOR ANY OTHER PURPOSE, EXCEPT AS AUTHORIZED IN WRITING BY DANIELS MANUFACTURING. MUST BE RETURNED TO DANIELS MANUFACTURING CORP. ON COMPLETION OF ORDER OR OTHER PURPOSE FOR WHICH LENT.	MATERIAL	ITEM	PART NO.	QTY.	DESCRIPTION/REMARKS
	HEAT TREAT	DRN	J. JOYCE	DATE	DANIELS MANUFACTURING CORP. ORLANDO, FLORIDA GAGE 11837
		CHK'D	RRR	DATE	
	FINISH	APP'D.		DATE	TITLE
APP'D.			DATE	GO/NO-GO GAGE ENVELOPE DRAWING	
DO NOT SCALE DRAWING				WHERE USED:	
		SIZE	SCALE	CAD P/N	SHEET
		B	NTS	G221-ENV	1 OF 1
		POSTNO	P/N	G221-ENV	REV. 1