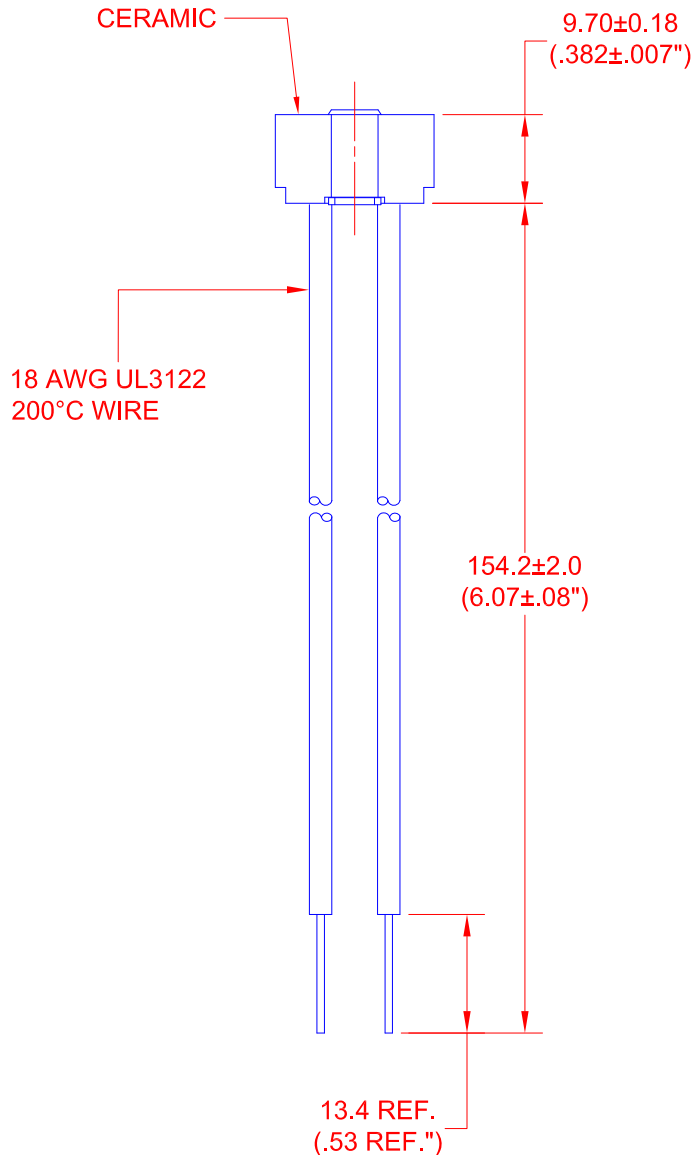
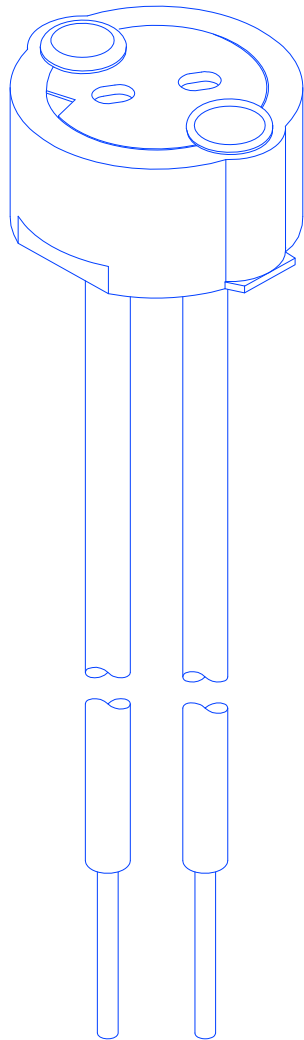
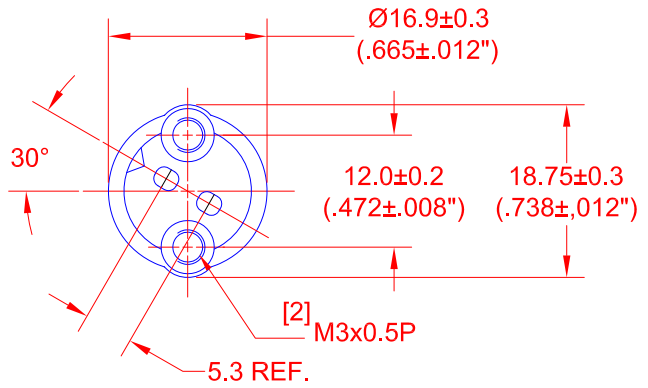


NOTES:

1. Electrical rating 250 Volts, 1000 Watts.
2. Use with G4, GX5.3 or G635 style lamps.
3. Contact retention force 2.0 - 4.0 lbs. per contact.



REV. NO.	DESCRIPTION/ECO NUMBER	APPVD DATE
C	ADD NOTES	2/11/13
B	CHANGE DIM Ø17.2±0.2 TO 16.9±0.3	1/11/11
A	ADD PIN SPACING DIMENSION	10/31/08
	RELEASED	11/26/07

METRIC THIRD ANGLE PROJECTION		DIMENSIONS ARE IN MILLIMETERS TOLERANCE UNLESS OTHERWISE SPECIFIED 1 PL +/- REF. 2 PL +/- REF. ANGLE +/-
DRAWN BY	APPVD BY	DATE
L. WENGSTROM	L.R.	2/11/13
- CAD DRAWING - MANUAL REVISIONS NOT PERMITTED		

 JKL COMPONENTS CORPORATION					
TITLE			MR16 LAMP SOCKET		
SIZE	FSCM NO.	DRAWING NO.			
A	55335	2993-G5			
SCALE	RELEASED DATE	REVISION DATE	REV. NO.	SHEET	
NONE	11/26/07	2/11/13	C	1 OF 1	