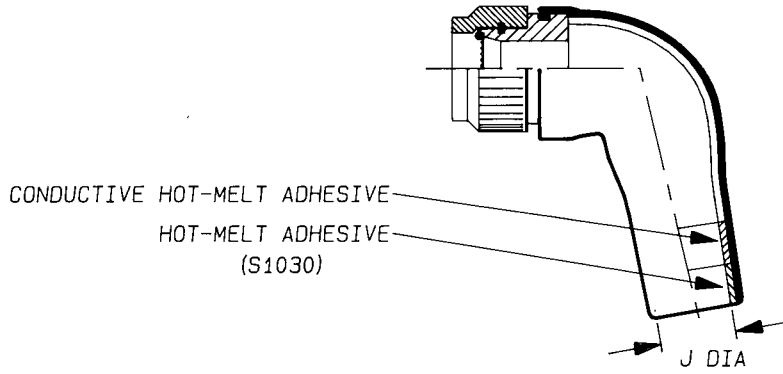
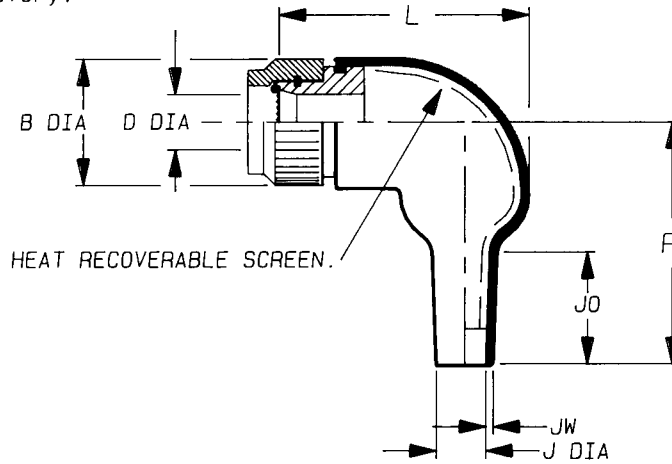


a) Part as supplied.

KTKK 2621-2628



b) Part after unrestricted recovery.



Raychem connector code: - 40
Connector series: - MIL-C-38999 SERIES 3 & 4
Adaptor Series: - 208M7**-01-W**-K-NS
Moulded Part Material: - -100S

Kits to include cleaning tissue, 1 piece 100 grit emery cloth & packing piece.
Kit to be used in conjunction with installation guide for 90 & 45 deg. assemblies.

Dimensions (in millimetres.)

Part No.	SHELL SIZE	B	D	J		L	P	JO	JW
		DIA MAX	DIA MIN	MIN a	MAX b	±10% b	±10% b	REF b	±30% b
KTKK 2621	B	21.7	9.3	9	6.0	40	38	17	1.0
KTKK 2622	C	25.5	12.9	11	7.2	43	42	18	1.0
KTKK 2623	D	29.3	14.1	11	7.2	43	42	18	1.0
KTKK 2624	E	31.9	18.8	17	8.5	50	51	20	1.0
KTKK 2625	F	35.7	18.8	17	8.5	50	51	20	1.0
KTKK 2626	G	38.2	23.6	21	10.0	57	67	28	1.5
KTKK 2627	H	42.0	23.6	21	10.0	57	67	28	1.5
KTKK 2628	J	44.6	30.9	29	15.8	66	80	31	1.5

Copyright (!)

Urheberrechte

The copyright in this drawing is the property of Raychem Ltd. The drawing is issued on condition that it is not copied, reproduced or disclosed to a third party, either in whole or in part without the prior written consent of Raychem Ltd.

Drawn A.LILLEY. Checked *[Signature]* Issue 4 Date June 1995

Conforms to ISO Recommendations
3rd Angle Projection
Not to Scale

Approval
Design

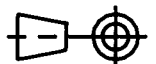
[Signature]

MKTG.

[Signature]

Q.C.

[Signature]



Mouser Electronics

Authorized Distributor

Click to View Pricing, Inventory, Delivery & Lifecycle Information:

[TE Connectivity:](#)

[KTKK-2627](#)