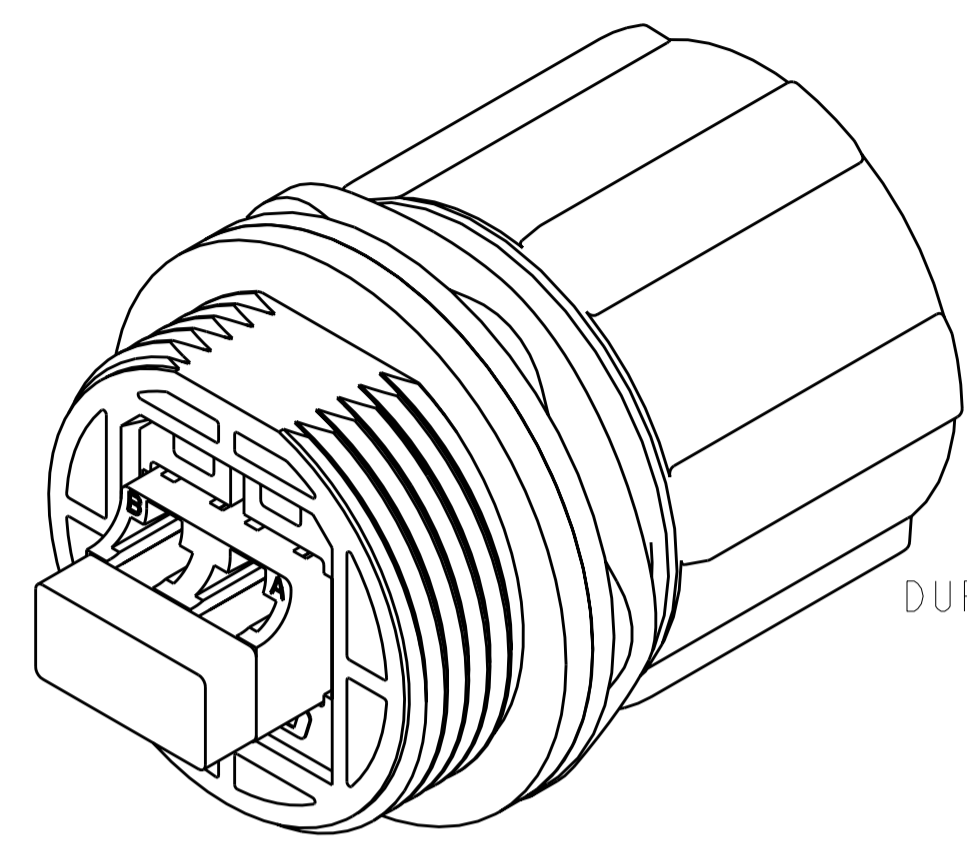
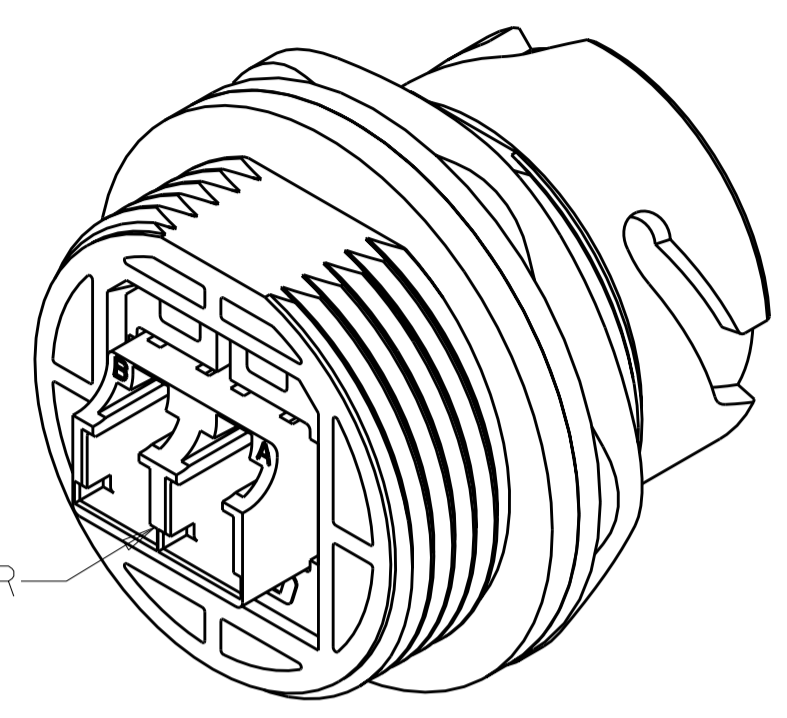


THIS DRAWING IS UNPUBLISHED. RELEASED FOR PUBLICATION 20
 © COPYRIGHT 20 BY TYCO ELECTRONICS CORPORATION. ALL RIGHTS RESERVED.

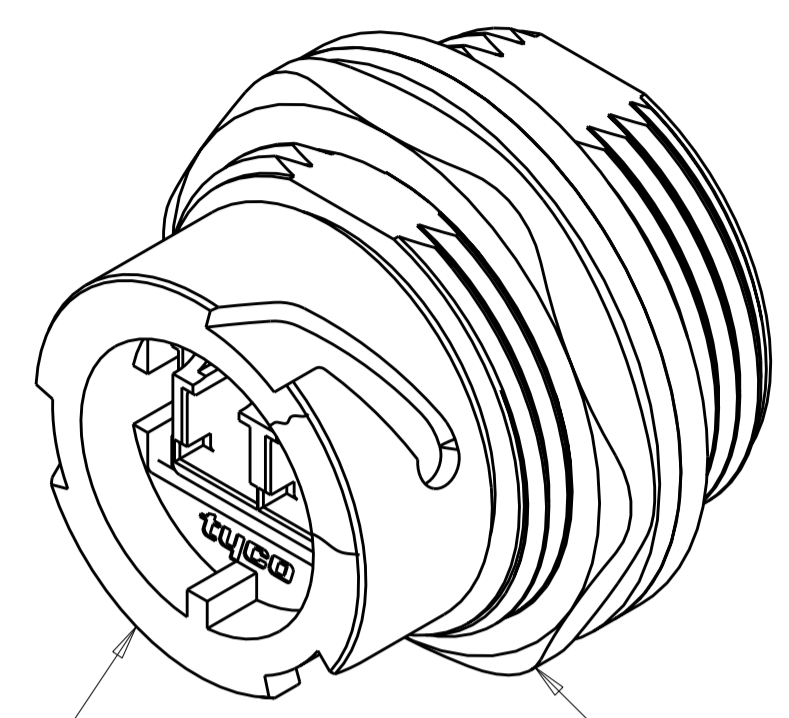
LOC	DIST	REVISIONS			
P	LTR	DESCRIPTION	DATE	DWN	APVD
CE	00	A	ECR-08-028526	11NOV2008	EJH DB



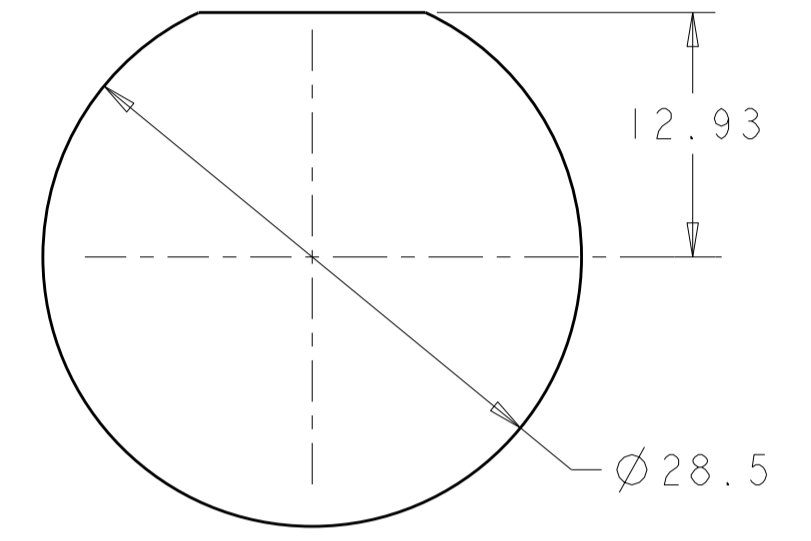
DUPLEX ADAPTER



RECEPTACLE HOUSING

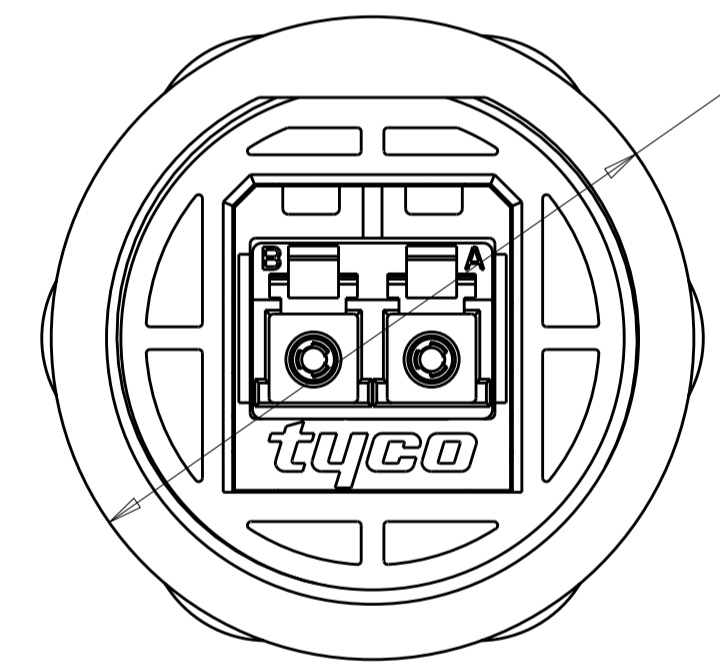


PANEL NUT

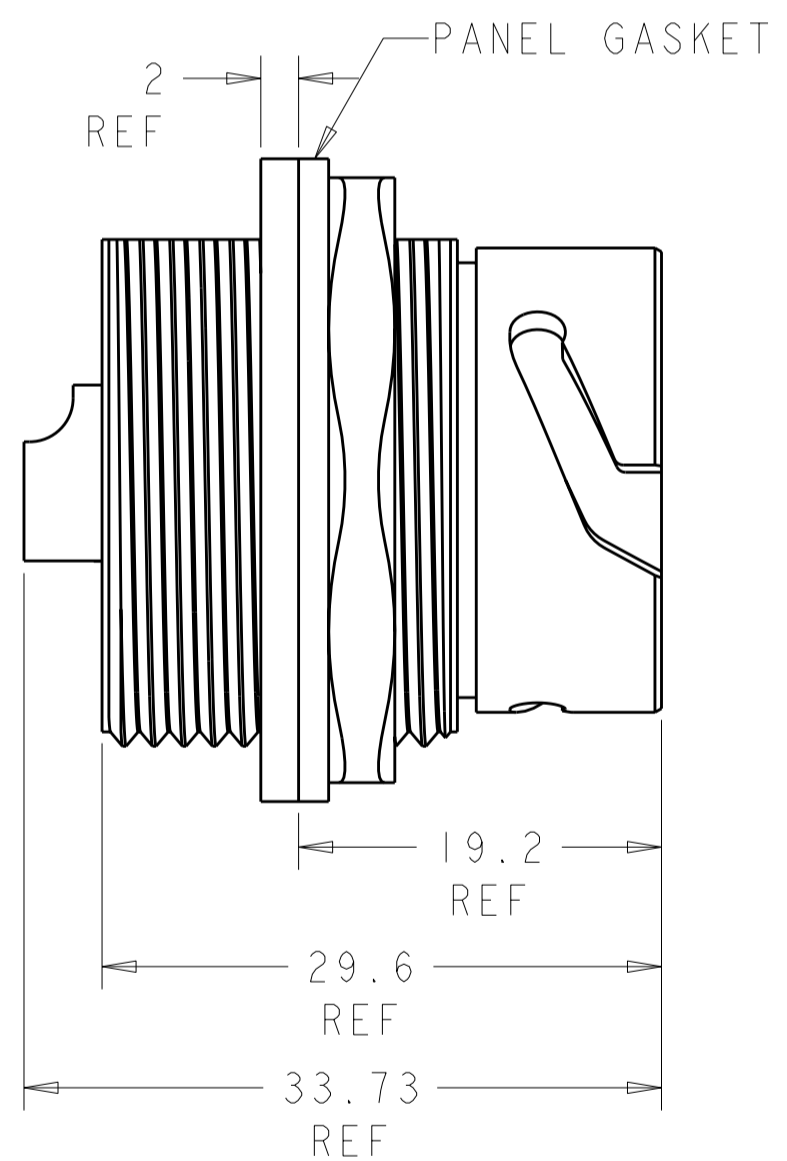


RECOMMENDED PANEL CUT-OUT
 MAX PANEL THICKNESS 3.2mm

ASSEMBLED VIEW
 WITH PROTECTIVE COVERS



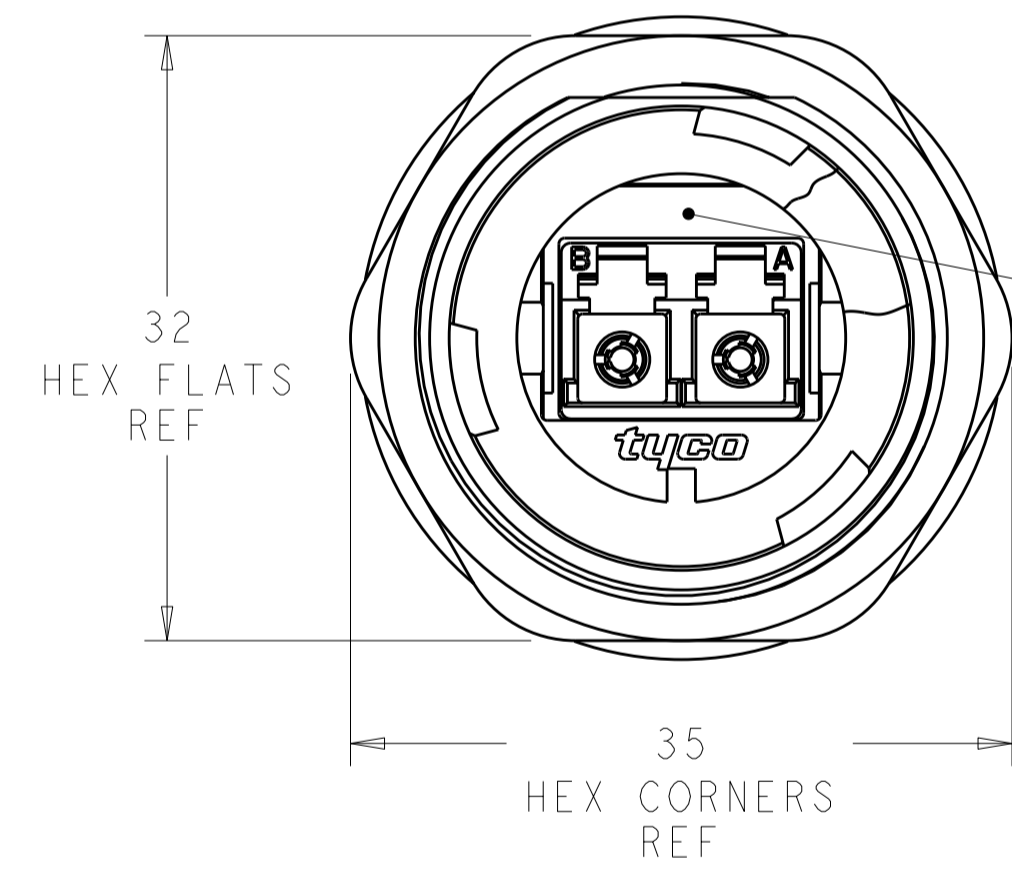
Ø 34
 REF



19.2
 REF

29.6
 REF

33.73
 REF



32
 HEX FLATS
 REF

35
 HEX CORNERS
 REF

ADAPTER
 SLEEVE

⚠ MATERIAL:
 HOUSING, RECEPTACLE: PBT, SS/Cu/Cu/SS PLATED*
 NUT, PANEL: BRASS, Ni PLATED
 GASKET: SILICONE, COLOR: RED/ORANGE
 ADAPTER SLEEVE: PPE+PS, SS/Cu/Cu/SS PLATED*

LC DUPLEX ADAPTER ASSY:
 HOUSING: PEI, SS/Cu/Cu/SS PLATED*
 PROTECTIVE COVER: TPE, COLOR: BLACK*
 ALIGNMENT SLEEVES: CERAMIC

* UL 94 V-0 RATED AT QUALIFYING THICKNESS.

1985193-1
 PART NO.

THIS DRAWING IS A CONTROLLED DOCUMENT FOR TYCO ELECTRONICS CORPORATION IT IS SUBJECT TO CHANGE AND THE CONTROLLING ENGINEERING ORGANIZATION SHOULD BE CONTACTED FOR THE LATEST REVISION.		DWN E. HOPKINS 24AUG2007	Tyco Electronics Harrisburg, PA 17105-3608	
DIMENSIONS: mm		CHK D. ERDMAN 24AUG2007	NAME ASSEMBLY, EMI, ODVA, RECEPTACLE	
TOLERANCES UNLESS OTHERWISE SPECIFIED:		APVD D. BAECHTLE 24AUG2007	SIZE A200779	CAGE CODE C-1985193
0 PLC ± 1 PLC ± 2 PLC ± 3 PLC ± 4 PLC ± ANGLES ± FINISH		PRODUCT SPEC - APPLICATION SPEC -	DRAWING NO -	RESTRICTED TO -
MATERIAL		WEIGHT -	SCALE 5:2	SHEET 1 OF 1
⚠		CUSTOMER DRAWING		REV A