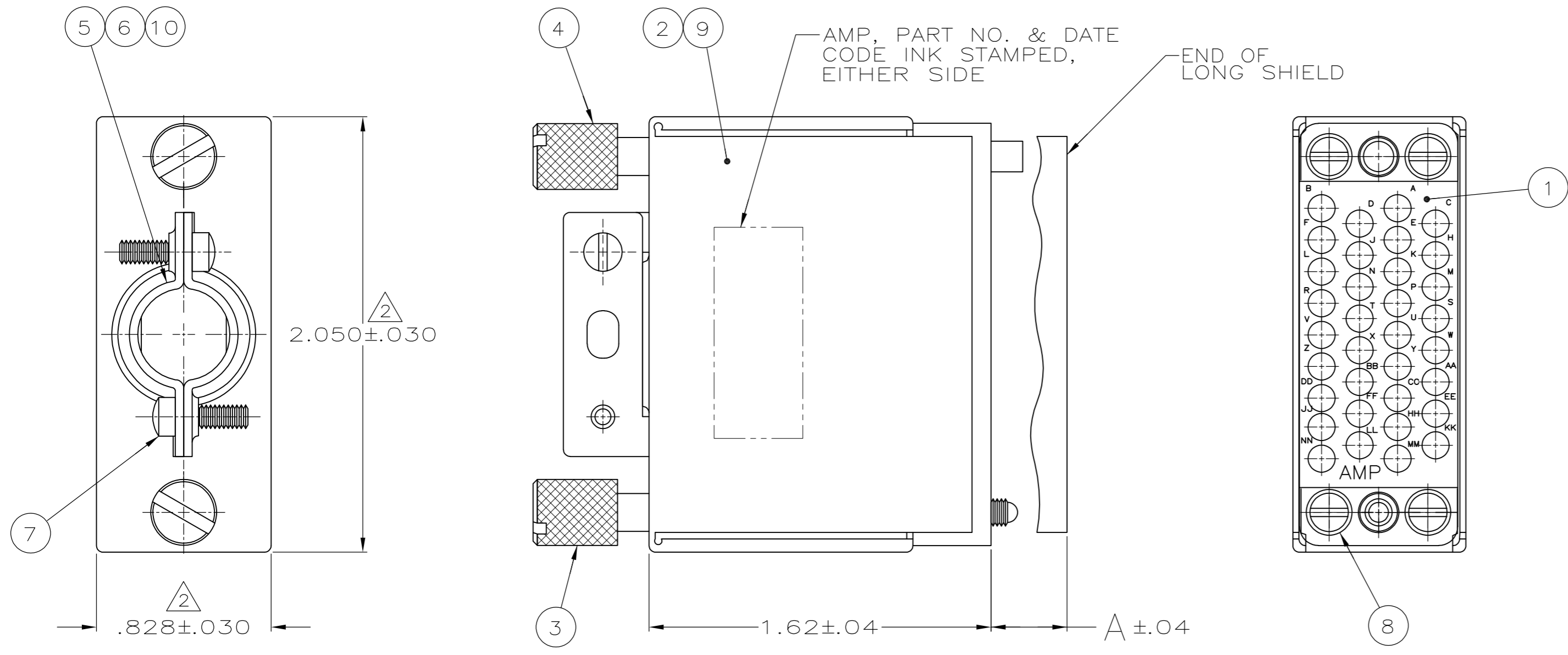


THIS DRAWING IS UNPUBLISHED. RELEASED FOR PUBLICATION
 © COPYRIGHT - By - ALL RIGHTS RESERVED.

LOC	DIST	REVISIONS					
BD	36	P	LTR	DESCRIPTION	DATE	DWN	APVD
		H2		REVISED PER ECO-13-008672	02SEP2013	KH	DR



- 1 PARTIALLY ASSEMBLED.
- 2 DIMENSION APPLIES AT BASE OF BEND.
- 3 ALL ITEMS BULK PACKAGED SEPARATELY WITHOUT INK MARKING. KITS TO BE ORDERED IN MULTIPLES OF 100 ONLY.
- 4 OBSOLETE PARTS: OBSOLETE CIS STREAMLINING PER D.RENAUD/D.SINISI

-	.1176-.1643	213300-8	OBSOLETE	4
-	.0314-.0707	213300-7		
-	.1491-.2336	213300-6	OBSOLETE	4
-	.1491-.2336	213300-5	OBSOLETE	4
.36	.1176-.1643	213300-4	OBSOLETE	4
.36	.1491-.2336	213300-3	OBSOLETE	
-	.1176-.1643	213300-2		
-	.1491-.2336	213300-1		
A	CABLE AREA SQ. IN.	PART NO.		

4 OBSOLETE
 3 OBSOLETE
 4 OBSOLETE
 4 OBSOLETE
 4 OBSOLETE

-	2	-	-	-	-	-	-	CABLE CLAMP	STEEL, PLATED ZINC	10
-	-	-	-	1	1	-	-	SHIELD, LONG	ALUMINUM, ANODIZED	9
4	4	4	4	4	4	4	4	SCREW, #4-40, .250 LG.	STEEL, PLATED ZINC	8
2	2	2	2	2	2	2	2	SCREW, #4-40, .375 LG.	STEEL, PLATED ZINC	7
2	-	-	-	2	-	2	-	CABLE CLAMP	STEEL, PLATED ZINC	6
-	-	2	2	-	2	-	2	CABLE CLAMP	STEEL, PLATED ZINC	5
1	1	1	1	1	1	1	1	JACKSCREW, FEMALE	STAINLESS STEEL	4
1	1	1	1	1	1	1	1	JACKSCREW, MALE	STAINLESS STEEL	3
1	1	1	1	-	-	1	1	SHIELD, SHORT	ALUMINUM, ANODIZED	2
-	1	1	-	1	1	1	1	BLOCK, PLUG HSG.	PHENOLIC, BLACK	1
-8	-7	-6	-5	-4	-3	-2	-1	DESCRIPTION	REMARKS	ITEM NO.

THIS DRAWING IS A CONTROLLED DOCUMENT.

DWN: D.ERDMAN 10-17-86
 CHK: L.LAWVER 10-17-86
 APVD: R.WALTER 10-21-86

TE Connectivity

KIT ASSEMBLY, PLUG, 34 POSITION, M SERIES

SCALE: 2:1 SHEET: 1 of 1 REV: H2