

Horizontal Test Jack Insulated Miniature



SPECIFICATIONS

Contact: Copper aluminum alloy*

Finish: Silver

Body: Nylon 6/6 per ASTM D4066

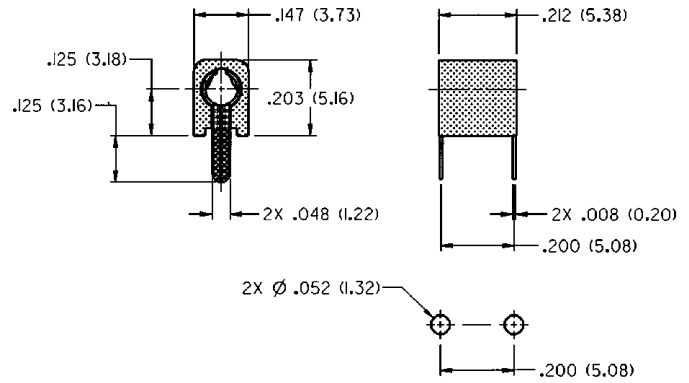
RATINGS

Current: 5 amps

Breakdown Voltage: 2100 Vrms minimum

Contact Resistance: 0.010 ohms maximum

Adjacent Jack C: 1 pF maximum at 1 MHz



SILVER PLATING	
PART NO.	COLOR
105-1103-001	Black

For Standard Tip Plug: .080 (2.00) Diameter

FEATURES:

- Contact protected from flux and solder
 - Probe access from both ends
 - Nylon UL approved for self extinguishing
- * A new material development that, for this application, meets or exceeds beryllium copper.

MOUNTING HOLE LAYOUT