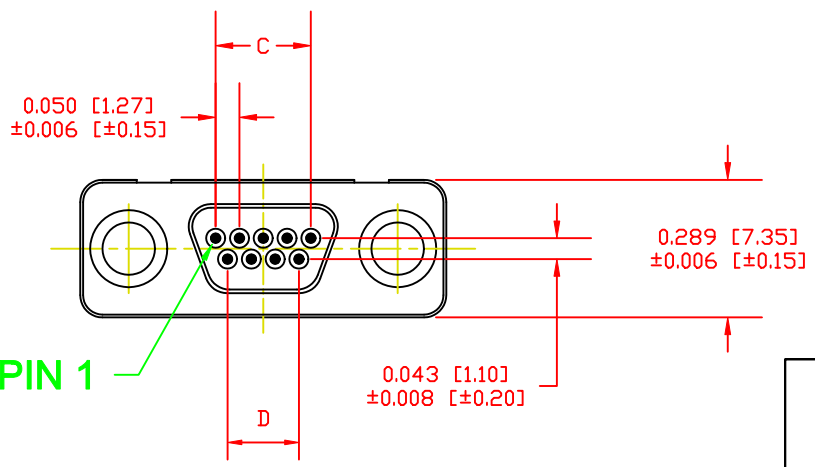
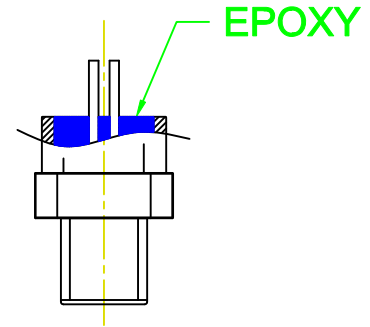
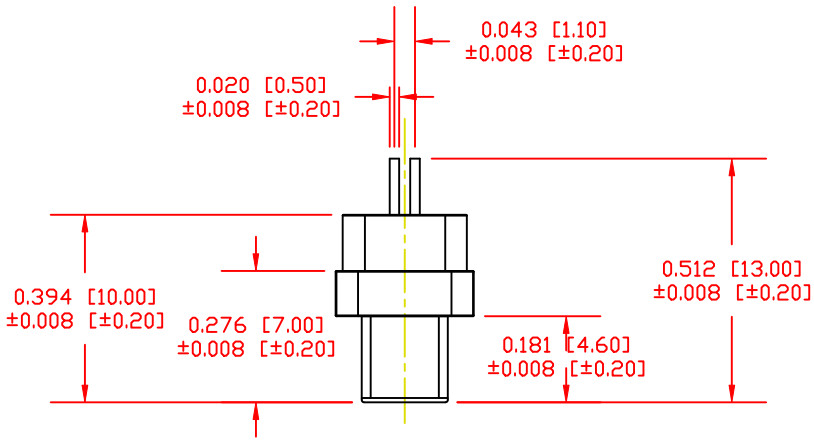
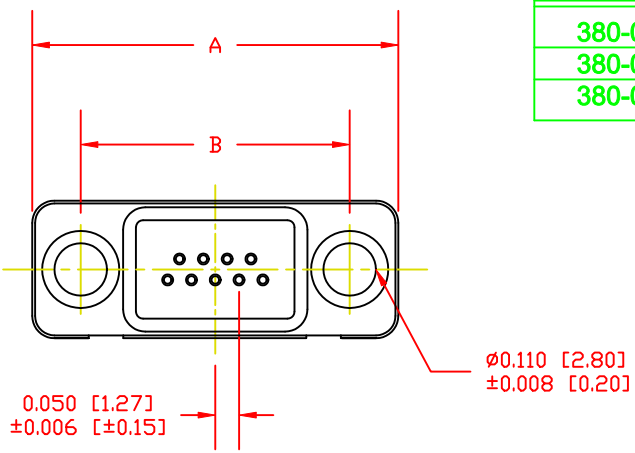


PART NUMBER	# OF PINS	A	B	C	D
380-009-113L001	9	0.770 [19.55]	0.565 [14.35]	0.200 [5.08]	0.150 [3.81]
380-015-113L001	15	0.919 [23.36]	0.717 [18.20]	0.350 [8.89]	0.300 [7.62]
380-025-113L001	25	1.169 [29.70]	0.967 [24.55]	0.600 [15.24]	0.550 [13.97]

TOLERANCE = ±0.006 [±0.15]

ELECTRICAL

- CONTACT CURRENT RATING: 1 AMP
- DIELECTRIC WITHSTANDING VOLTAGE: 500 VAC
- INSULATION RESISTANCE: 1000 MOhms MIN.
- CONTACT RESISTANCE: 45 MILLI Ohms MAX.
- OPERATING TEMPERATURE: -55°C TO +85°C



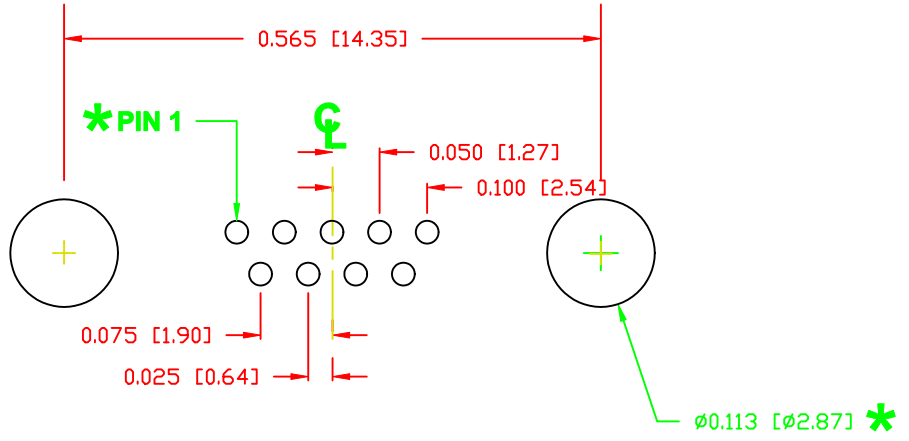
- MATERIAL:**
- HOUSING: PBT
 - SHELL: ZINC ALLOY
 - CONTACTS: BERYLLIUM COPPER
15 μ INCH GOLD MATING AREA
TIN PLATED ON SOLDER AREA

DO NOT SCALE FROM DRAWING

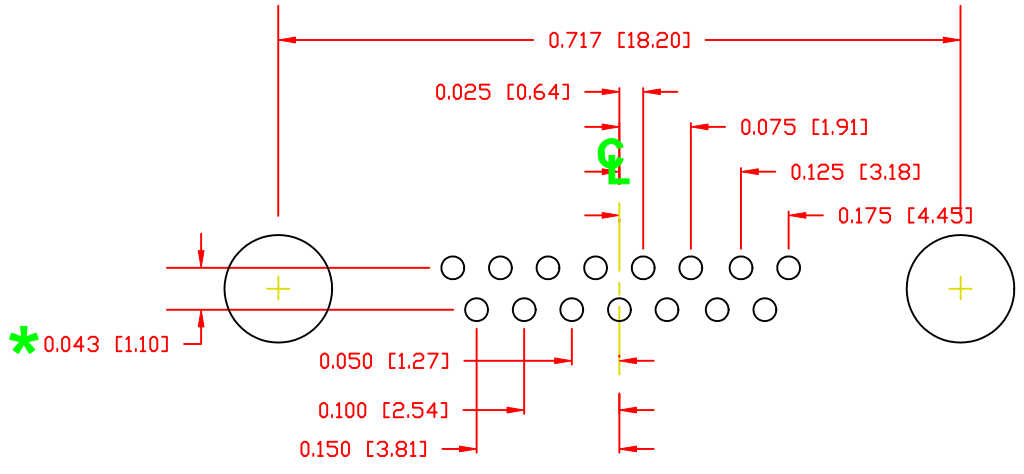
	THESE DRAWINGS AND SPECIFICATIONS ARE THE PROPERTY OF NorComp AND SHALL NOT BE REPRODUCED, COPIED OR USED AS THE BASIS FOR THE MANUFACTURE OF SALE OF APPARATUS WITHOUT WRITTEN PERMISSION.		DRAWN: M. SIGMON DATE: 08-18-11
			CHECKED: _____ DATE: _____
<h1>NorComp</h1>	SCALE: 2.5 : 1	SHEET 1 OF 2	REV 0
	DWG NO. 380-YYY-113L001		

RoHS COMPLIANT

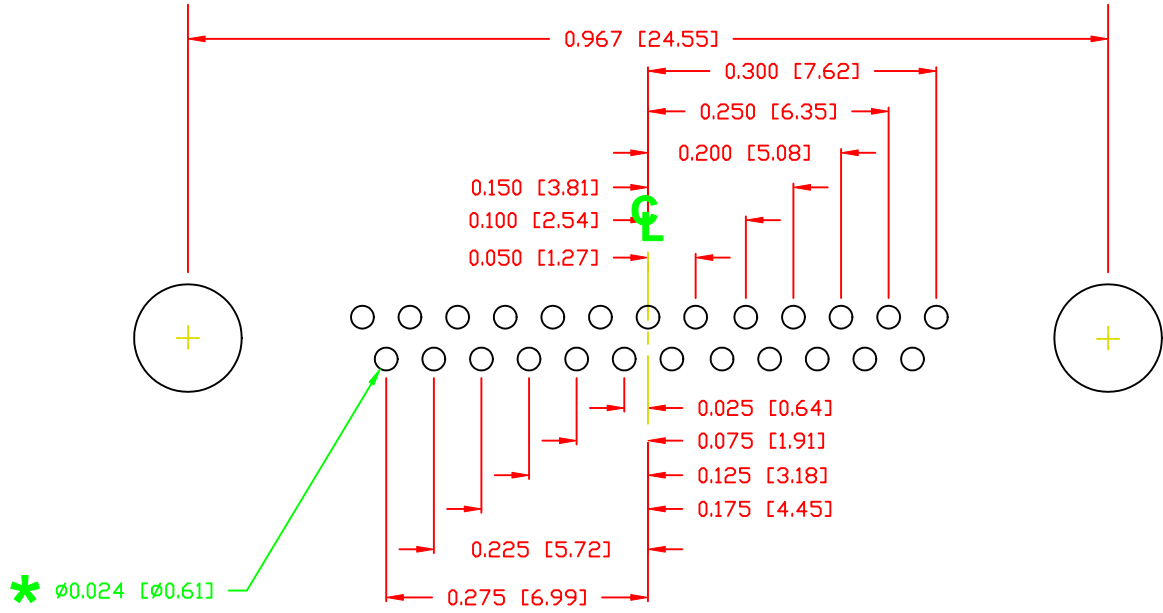
DESCRIPTION: MICRO D-SUB CONNECTOR - PCB LAYOUT



9 POSITION



15 POSITION




25 POSITION

*** TYP. ON ALL SIZES
TOLERANCE = ± 0.002 [± 0.05]**

DO NOT SCALE FROM DRAWING

RoHS COMPLIANT

	THESE DRAWINGS AND SPECIFICATIONS ARE THE PROPERTY OF NorComp AND SHALL NOT BE REPRODUCED, COPIED OR USED AS THE BASIS FOR THE MANUFACTURE OF SALE OF APPARATUS WITHOUT WRITTEN PERMISSION.		DRAWN: M. SIGMON	DATE: 08-18-11
			CHECKED:	DATE:
<h1>NorComp</h1>		SCALE: 5 : 1	SHEET 2 OF 2	REV 0
		DWG NO. 380-YYY-113L001		