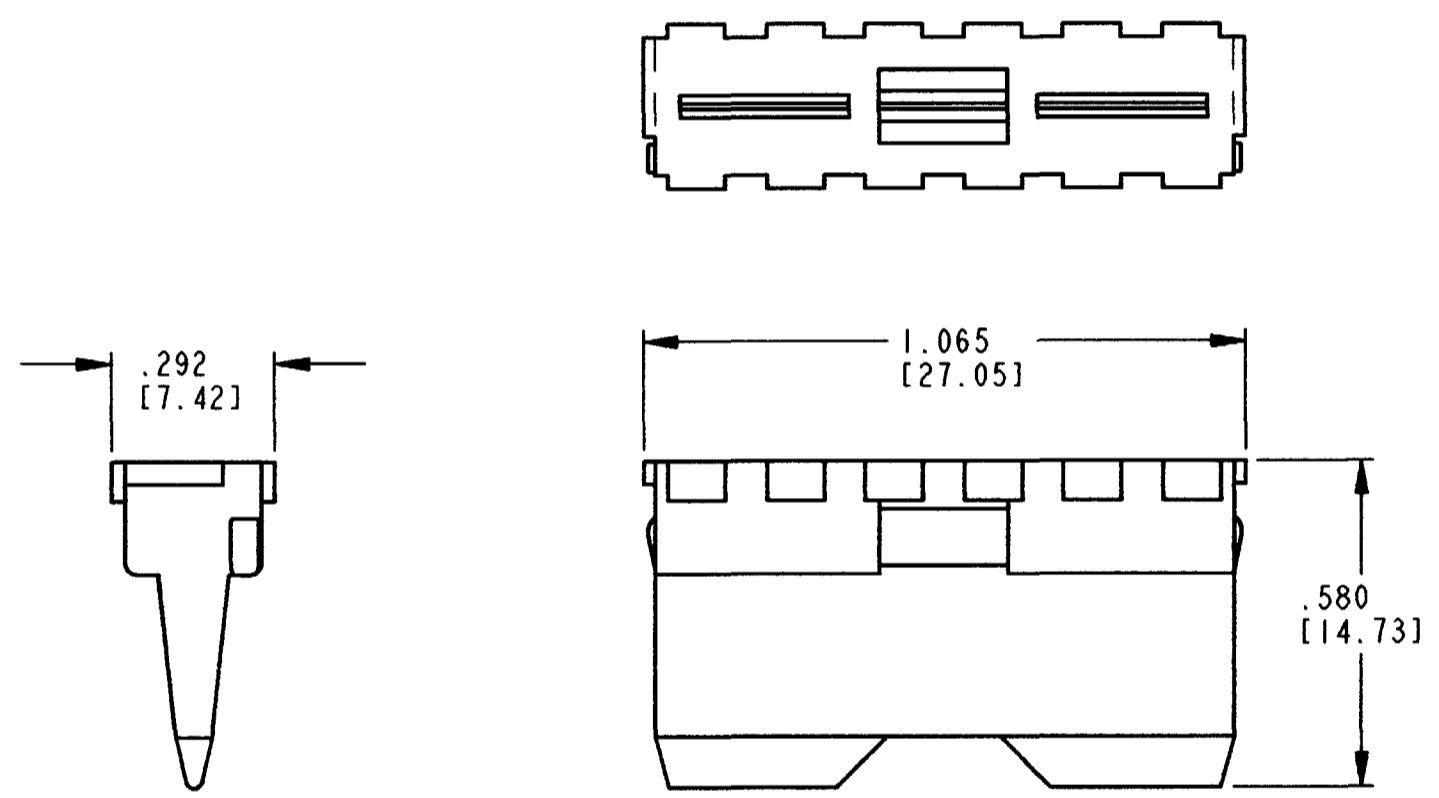


REV  
B      W12P

REVISIONS			
SYM	DESCRIPTION	DATE	APPROVED
NC	NEW RELEASE PER E.O. A09349	10/8/90	JA
A	REVISED PER E.O. P15887	2-15-99	RDR
B	REVISED PER E.O. P19120	12-16-05	RDR



- NOTES:
1. ALL DIMENSIONS ARE IN INCHES UNLESS OTHERWISE SPECIFIED.
  2. ALL DIMENSIONS +/- .025 [0.64] UNLESS OTHERWISE SPECIFIED.
  3. CONSULT FACTORY FOR APPLICATION.
  4. COLOR OF MATERIAL: GREEN.
  5. MATES WITH DT04-12P\*-\*\*\*\*.

SIGNATURE & DATE	
DR	C. WOODRUFF 04OCT90
CHK	<i>[Signature]</i> 12/16/05
PE	<i>[Signature]</i> 12/16/05
APPD	<i>[Signature]</i> 12-9-05
SCALE	NONE WT —

WEDGE LOCK  
FOR  
12 WAY RECEPTACLE  
D.T. SERIES

ENVELOPE

CP	MATL. CODE
<b>The Deutch Company</b> DEUTSCH I. P. D. 3850 INDUSTRIAL AVE. HEMET, CALIF. 92545	
<b>B</b>	<b>W12P</b>
DWG SIZE	CODE 11139 SHEET   OF