



## 5 Watt F-Series Adapter with Interchangeable AC Clips



### Features

- Folding Blades
- Constant Current for Battery Charging
- 15mm Thick with Blades Folded
- Limited Power Source (LPS)
- Interchangeable AC Clips
- Level VI Efficiency Compliant
- No Load Power Saving <75mW
- Halogen Free

### Applications

- Tablets
- Networking Equipment
- Personal Electronics
- Peripherals

### Safety Approvals

- cUL/UL
- CB
- CE

### Mechanical Characteristics

- Length: 60mm (2.36in)
- Width: 47mm (1.85in)
- Height: 15.0mm (0.59in)
- Weight: 38.5g (1.36oz)

### Output Specifications

Model	DC Output Voltage			Load	
	Min.	Typ.	Max.	Min.	Max.
PSA05F-050QAL6-H	4.90V	5V	5.25V	0A	1A
PSA05F-050QAL6D-H <sup>1</sup>	4.85V	5V	5.25V	0A	1A

Notes:

1. D model output to compensate for DC drops in the USB cable by 180mV at full load

Phihong is not responsible for any error and reserves the right to make changes without notice. Please visit our website at [www.phihong.com](http://www.phihong.com) for the most up-to-date specifications and contact information.

**INPUT:****AC Input Voltage Range**

85 to 264V AC

**AC Input Voltage Rating**

100 to 240V AC

**AC Input Frequency**

47 to 63Hz

**AC Input Current**

150mA RMS maximum at 120V

80mA RMS maximum at 230V

**Leakage Current**

80uA maximum at 240V

**Inrush Current**

25A at 230V

**OUTPUT:****Output Power**

5W Continuous

**Efficiency**

DOE Level VI

EU CoC Rev5 Tier 1

**Standby Power**

&lt;75mW at 230VAC/50Hz

**Ripple and Noise**

100mVp-p

**ENVIRONMENTAL:****Temperature**

Operating 0 to +45C

Non-operating -40 to +70C

Humidity 5 to 95%

**EMI**

Complies with FCC Class B

Complies with EN55032 Class B

**Immunity**

ESD: EN61000-4-2 Level 4

Radiated: EN61000-4-3 Level 2

EFT: EN61000-4-4 Level 2

Surge: EN61000-4-5 Level 3

C/T: EN61000-4-6 Level 2

PFMT: EN61000-4-8

VDT: EN61000-4-11

Harmonic: EN61000-3-2 Class A

Flicker: EN61000-3-3

**Dielectric Withstand (HI-POT) Test**

Primary to secondary: 3000V AC, 10mA, 60 seconds

**Insulation Resistance**

Primary to secondary: 500V &gt;7M OHM

**FEATURES:****Over Voltage Protection**

Auto-restart 6.5V maximum

**Short Circuit Protection**

Must withstand continuous short circuit

**Over Current Protection**

Auto restart

**DC Output**

USB A

**AC Input**

US Fixed Blade folding prong

**Interchangeable AC Clips (fit over US prongs) Sold Separately**

FPBAG: FPE, FPK

FPB: Brazil

FPE: Europe

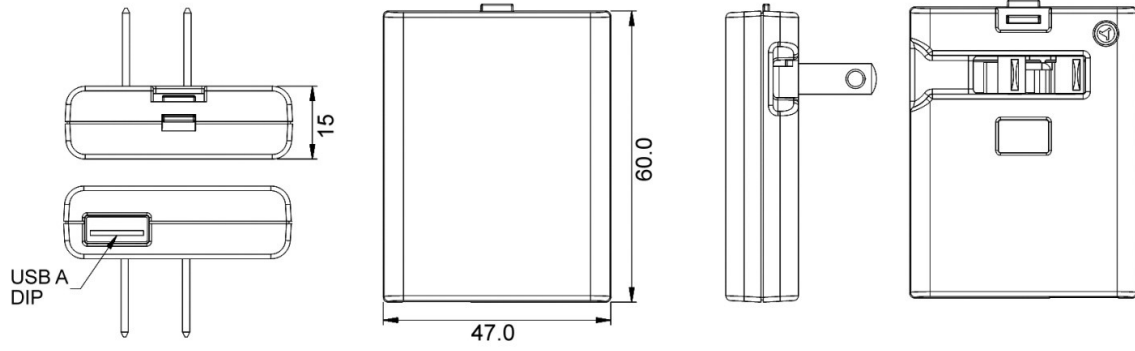
FPH: Korea

FPI: India

FPK: UK

FPN: Argentina

Dimension Diagram Unit: mm



[Type text]

**Supplier's Declaration of Conformity**  
**47 CFR § 2.1077 Compliance Information**

Phihong USA Corporation  
47800 Fremont Boulevard  
Fremont, CA 94538  
Telephone: (510) 445-0100  
[www.phihong.com](http://www.phihong.com)

NOTE: This model has/The models in this products series have been tested and found to comply with the limits for a Class B digital device, pursuant to part 15 of the FCC Rules. These limits are designed to provide reasonable protection against harmful interference in a residential installation. This equipment generates, uses and can radiate radio frequency energy and, if not installed and used in accordance with the instructions, may cause harmful interference to radio communications. However, there is no guarantee that interference will not occur in a particular installation. If this equipment does cause harmful interference to radio or television reception, which can be determined by turning the equipment off and on, the user is encouraged to try to correct the interference by one or more of the following measures:

- Reorient or relocate the receiving antenna.
- Increase the separation between the equipment and receiver.
- Connect the equipment into an outlet on a circuit different from that to which the receiver is connected.
- Consult the dealer or an experienced radio/TV technician for help.

Changes or modifications to equipment not expressly approved by PHIHONG could void the user's authority to operate the equipment.