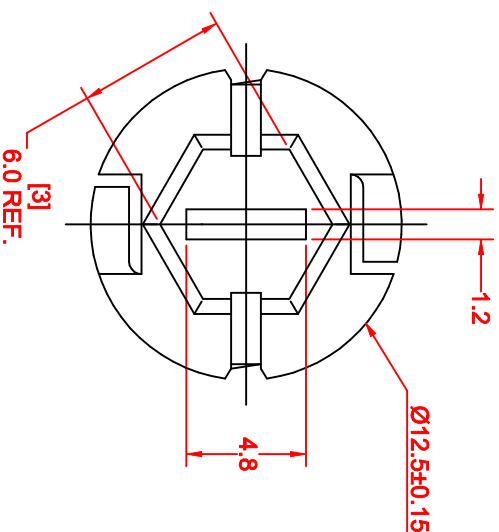
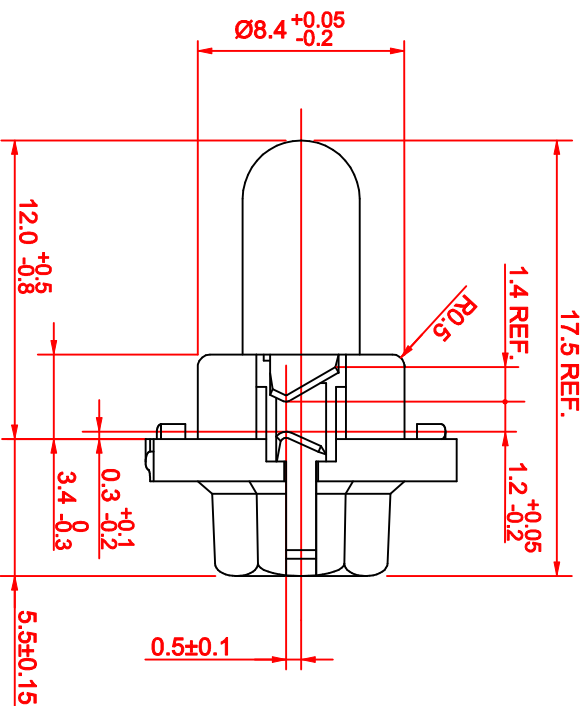
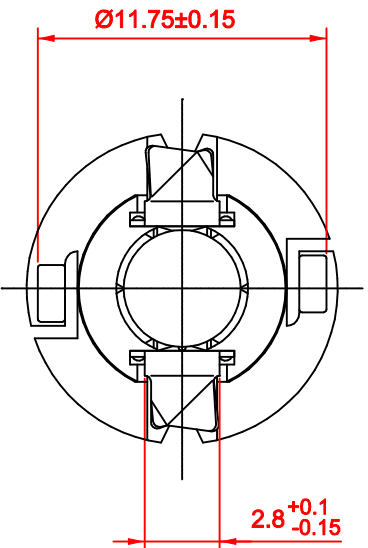
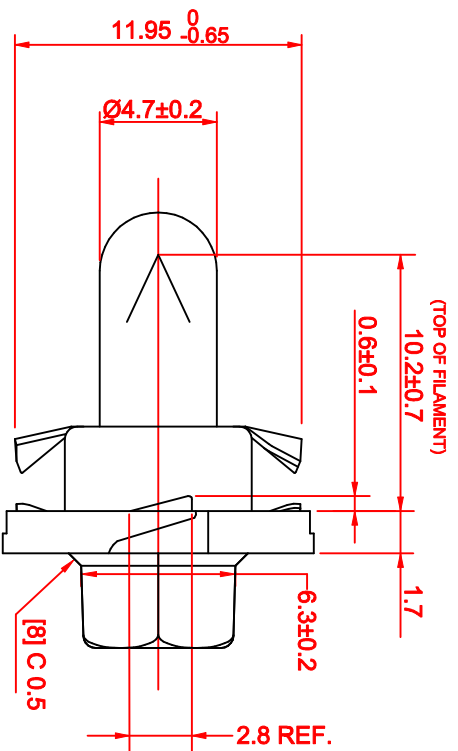
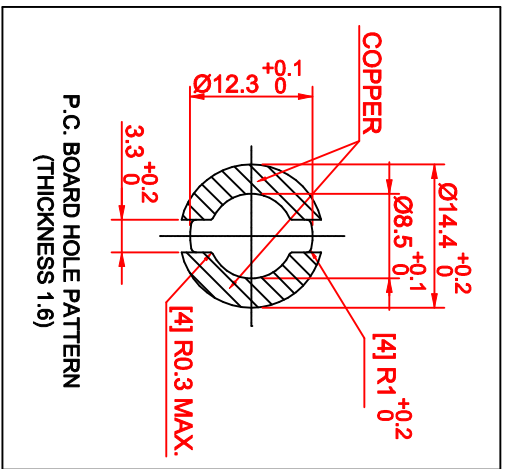


REV.	DESCRIPTION/ECO NO.	DATE
A	RELEASE & CANCEL P-0212-08 MECHANICAL CHANGE	2/11/03 2/20/03



JKL PART NO.: WWT2-EW34/BLA

LAMP NUMBER: EW34						
VOLTS RATED	AMPS $\pm 10\%$	WATTS	*MSCP $\pm 25\%$	*LUMENS $\pm 25\%$	AVERAGE LIFE HRS.	FILAMENT TYPE
14.0	.127	1.78	.700	8.79	7,000 DC	C-2V

*LAMP RATING ONLY WITHOUT BASE

BASE COLOR: BLACK

METRIC		DIMENSIONS ARE IN MILLIMETERS		TOLERANCE UNLESS OTHERWISE SPECIFIED	
THIRD ANGLE PROJECTION	ANGLE ± 0	1 PL ± 0.3	2 PL ± 0	DATE	DATE
DRAWN BY L. WENGSTROM	APP'D BY J. KAHL	2/20/03	2/20/03	SCALE	SCALE
- CAD DRAWING -		MANUAL REVISIONS NOT PERMITTED		TITLE	
JKL COMPONENTS CORPORATION		WIRE TERMINAL LAMP IN BASE		REV.	
FORM NO. 55335	DATE 2/11/03	RELEASED DATE 2/20/03	REVISION DATE 2/20/03	SHEET 1	OF 1