

1 2 3 4 5 6

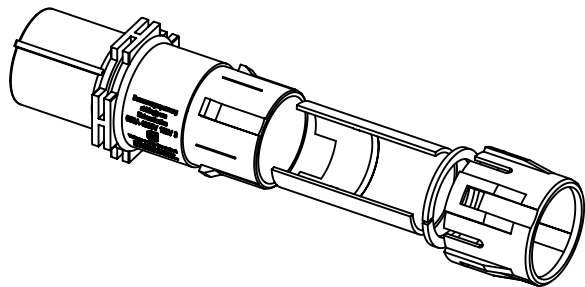
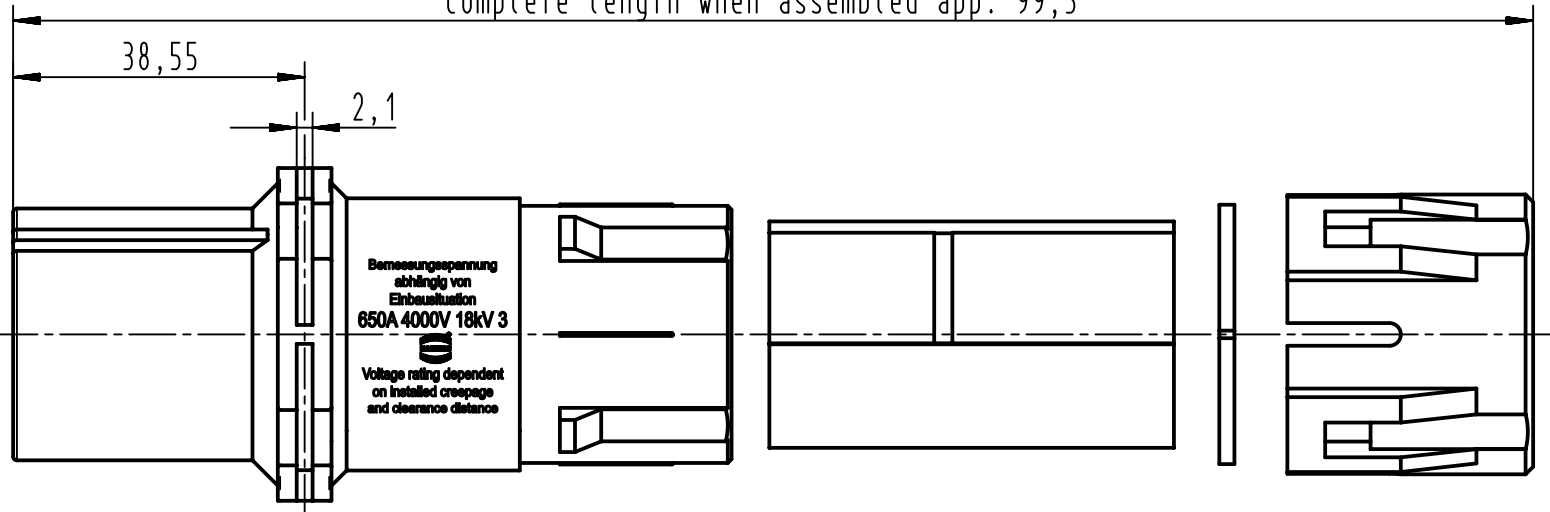
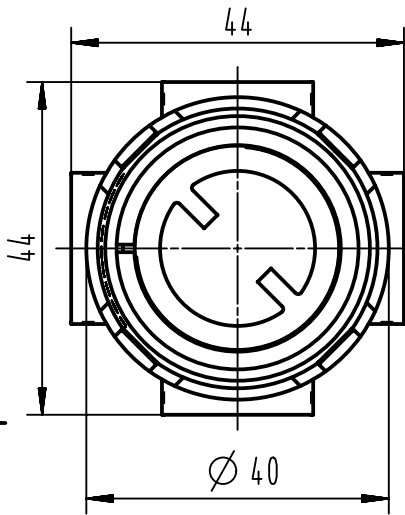
A

B

C

D

complete length when assembled app. 99,5



	All Dimensions in mm Original Size DIN A4	Scale 1:1		Free size tol.		Ref.	
						Sub.	
	All rights reserved Department EL PD - DE	Created by GRUBES	Inspected by BEISCHER	Standardisation SCHMIDTM	Date 2012-08-21	State Final Release	
		Title Han 1HC-F-TC650					Doc-Key / ECM-Nr. 100503265/UGD/002/A
HARTING Electric GmbH & Co. KG D-32339 Espelkamp		Type TB	Number 09 11 001 3112			Rev. A	Page 1/1

Mouser Electronics

Authorized Distributor

Click to View Pricing, Inventory, Delivery & Lifecycle Information:

[HARTING:](#)

[09 11 001 3112](#)