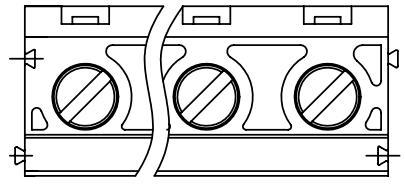


SIGN	DATE	DESCRIPTION	APPROVER
△	11/09'10	Add is " VDE "	Aaron
△			
△			

THIS IS CAD DRAWING, DO NOT REVISE MANUALLY!!!



DIMENSION		Poles	Tolerance
Dim A	N×7.5	4p-8p	±0.15
Dim B	(N-1)×7.5	9p-12p	±0.25
		13p-16p	±0.35

N=Number of contacts

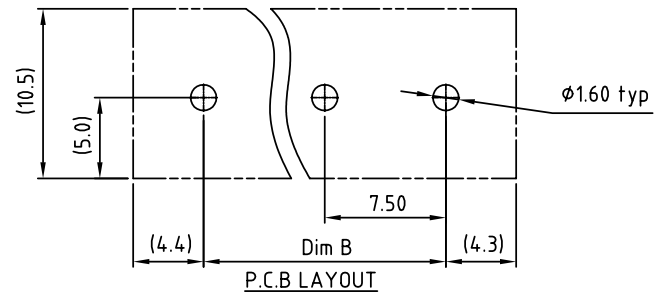
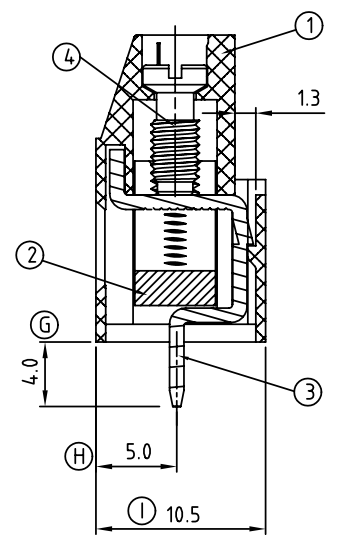
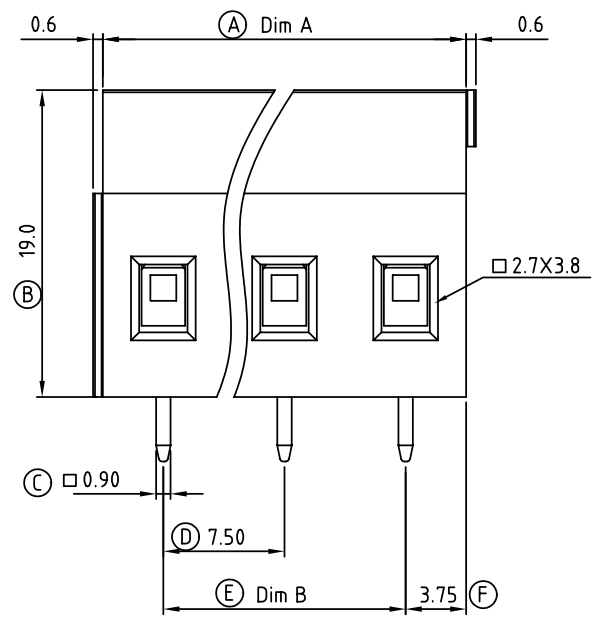
- Material:
- Item 1 Terminal housing:Thermoplastic (UL 94V-0)
 - Item 2 Clamp: Brass Ni plated
 - Item 3 Wire guard solder pin:Brass Tin plated
 - Item 4 Terminal screw: Steel Zinc plating"-slot type

- △ Electrical cULus VDE
- Voltage rating: 300VAC 750V
 - Current rating: 20A 24A
 - Wire range : 0.2-2.5mm²
 - Solid wire(AWG): 12-30
 - Stranded wire(AWG): 12-30
 - Torque(Lb-In): 3.5 0.5 N.m
 - Screw: M3
 - Wire strip length: 6-7mm
 - Withstanding Voltage: 1.6KV 3KV
 - Operating temperature: -40°C to +115°C
 - Soldering temperature: 250°C±10°C/5 Sec
 - Safety Approval:



VJ xx 41 x 5 xxxx G

- No. of poles 0 Black (RAL9005) 0000:"@ "Logo (Standard)
 04 4 CONTACTS 2 Red (RAL3001/D) 000A:"ANYTEK"Logo
 05 5 CONTACTS 3 Orange(RAL2011/P) Any special item by
 ... 4 Yellow(RAL1018/A) customer request,
 16 16 CONTACTS 5 Green(RAL6018/T) please contact sales
 6 Blue (RAL5015/A) department.
 8 Grey(RAL7035/D)



ANYTEK				CUSTOMER COPY			
ALL RIGHTS RESERVED. REPRODUCTION OR ISSUE TO THIRD PARTIES IN ANY FORM WHATSOEVER IS NOT PERMITTED WITHOUT WRITTEN AUTHORITY FROM THE PROPRIETOR. PROPERTY OF ANYTEK TECHNOLOGY CO., LTD							
TITLE VJ-7.5 Series 4P-16P Horizontal Solid block (180D wire inlet)-----Without cover							
PART NO. VJxx41x5xxxxG		DWG NO. 8VJ0208		CUST NO.		Tolerance	
APPROVED	CHECKED	DESIGNED	DRAWN			X.	±0.50
		Aaron	Aaron			X.X	±0.30
		2010.11.09	2009.10.19			X.XX	±0.10
				SHEET: 01/01		X*	±1*
				UNIT: mm			
				SCALE: NONE			
				REV.: C			