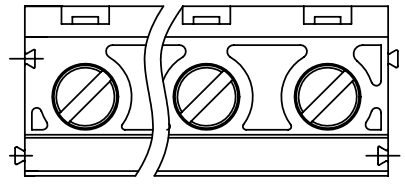


SIGN	DATE	DESCRIPTION	APPROVER
△	11/09'10	Add is " VDE "	Aaron
△			
△			

THIS IS CAD DRAWING, DO NOT REVISE MANUALLY!!!



DIMENSION		Poles	Tolerance
Dim A	N×7.5	4p-8p	±0.15
Dim B	(N-1)×7.5	9p-12p	±0.25
		13p-16p	±0.35

N=Number of contacts

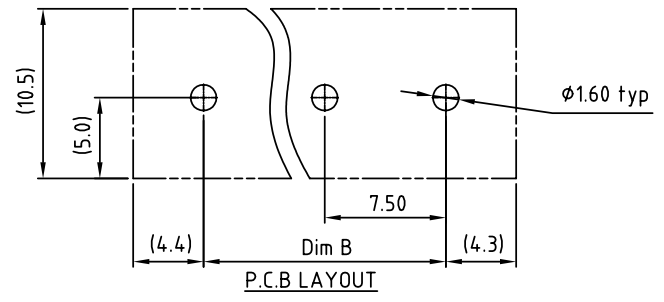
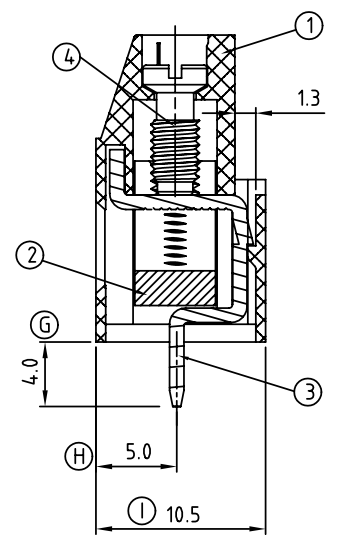
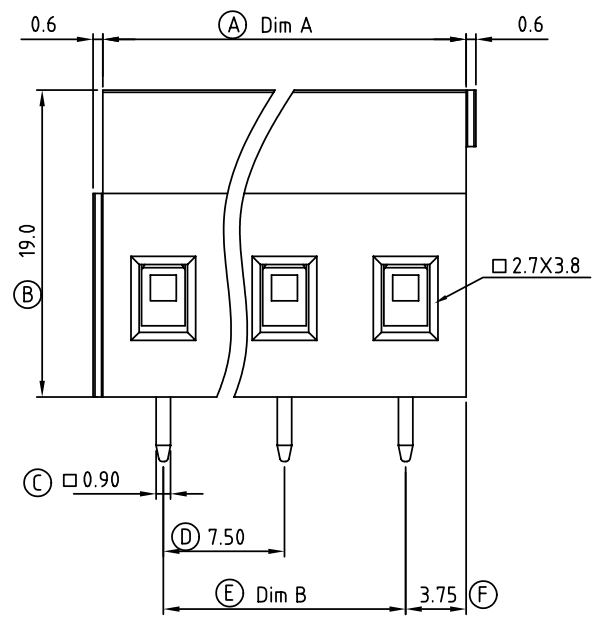
- Material:
- Item 1 Terminal housing:Thermoplastic (UL 94V-0)
 - Item 2 Clamp: Brass Ni plated
 - Item 3 Wire guard solder pin:Brass Tin plated
 - Item 4 Terminal screw: Steel Zinc plating"- "slot type

- △ Electrical cULus VDE
- Voltage rating: 300VAC 750V
 - Current rating: 20A 24A
 - Wire range : 0.2-2.5mm²
 - Solid wire(AWG): 12-30
 - Stranded wire(AWG): 12-30
 - Torque(Lb-In): 3.5 0.5 N.m
 - Screw: M3
 - Wire strip length: 6-7mm
 - Withstanding Voltage: 1.6KV 3KV
 - Operating temperature: -40°C to +115°C
 - Soldering temperature: 250°C±10°C/5 Sec
 - Safety Approval:



VJ xx 41 x 5 xxxx G

- No. of poles
- | | | |
|----------------|---------------------|---------------------------------------|
| 04 4 CONTACTS | 0 Black (RAL9005) | 0000:"@ "Logo (Standard) |
| 05 5 CONTACTS | 2 Red (RAL3001/D) | 000A:"ANYTEK"Logo |
| ... | 3 Orange(RAL2011/P) | Any special item by customer request, |
| 16 16 CONTACTS | 4 Yellow(RAL1018/A) | please contact sales department. |
| | 5 Green(RAL6018/T) | |
| | 6 Blue (RAL5015/A) | |
| | 8 Grey(RAL7035/D) | |
- RoHS Pb<40,000ppm



ANYTEK		CUSTOMER COPY	
ALL RIGHTS RESERVED. REPRODUCTION OR ISSUE TO THIRD PARTIES IN ANY FORM WHATSOEVER IS NOT PERMITTED WITHOUT WRITTEN AUTHORITY FROM THE PROPRIETOR. PROPERTY OF ANYTEK TECHNOLOGY CO., LTD			
TITLE	VJ-7.5 Series 4P-16P Horizontal Solid block (180D wire inlet)-----Without cover		
PART NO.	VJxx41x5xxxxG	DWG NO.	8VJ0208
APPROVED	CHECKED	DESIGNED	DRAWN
		Aaron 2010.11.09	Aaron 2009.10.19
		UNIT: mm SCALE: NONE SHEET: 01/01 REV.: C	
		Tolerance X. ±0.50 X.X ±0.30 X.XX ±0.10 X* ±1*	