

© 1963 BY AMP INCORPORATED. ALL RIGHTS RESERVED. AMP PRODUCTS COVERED BY PATENTS AND/OR PATENTS PENDING. APPROVED PER GOVT CONTRACT NO.

REVISIONS				
ZONE	LTR	DESCRIPTION	DATE	APPROVED
N	REV PER	ECO-08-006296	PY	07-08 BW

SERIES "G" CONNECTORS AND SHIELD SHOWN FOR REFERENCE ONLY

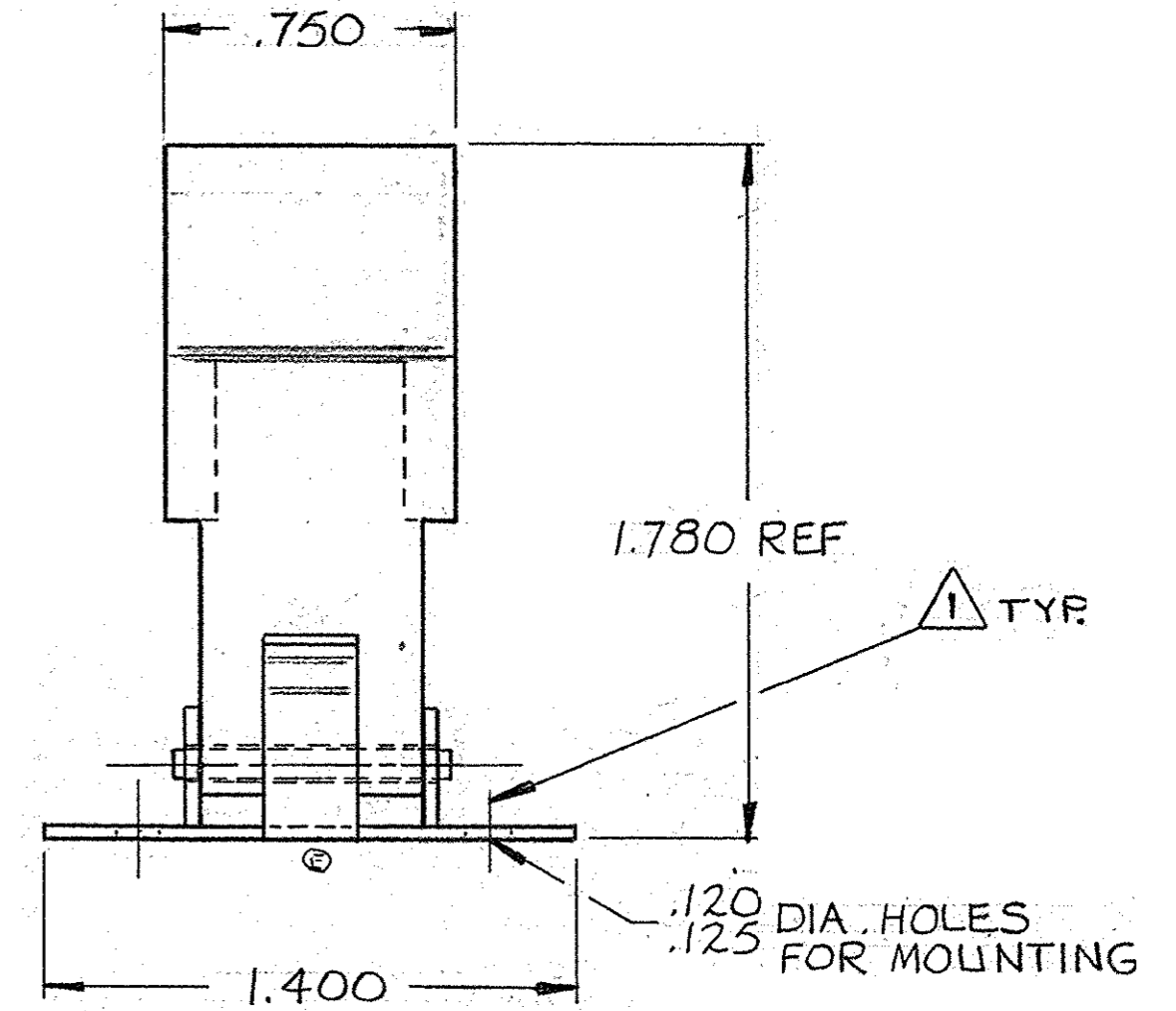
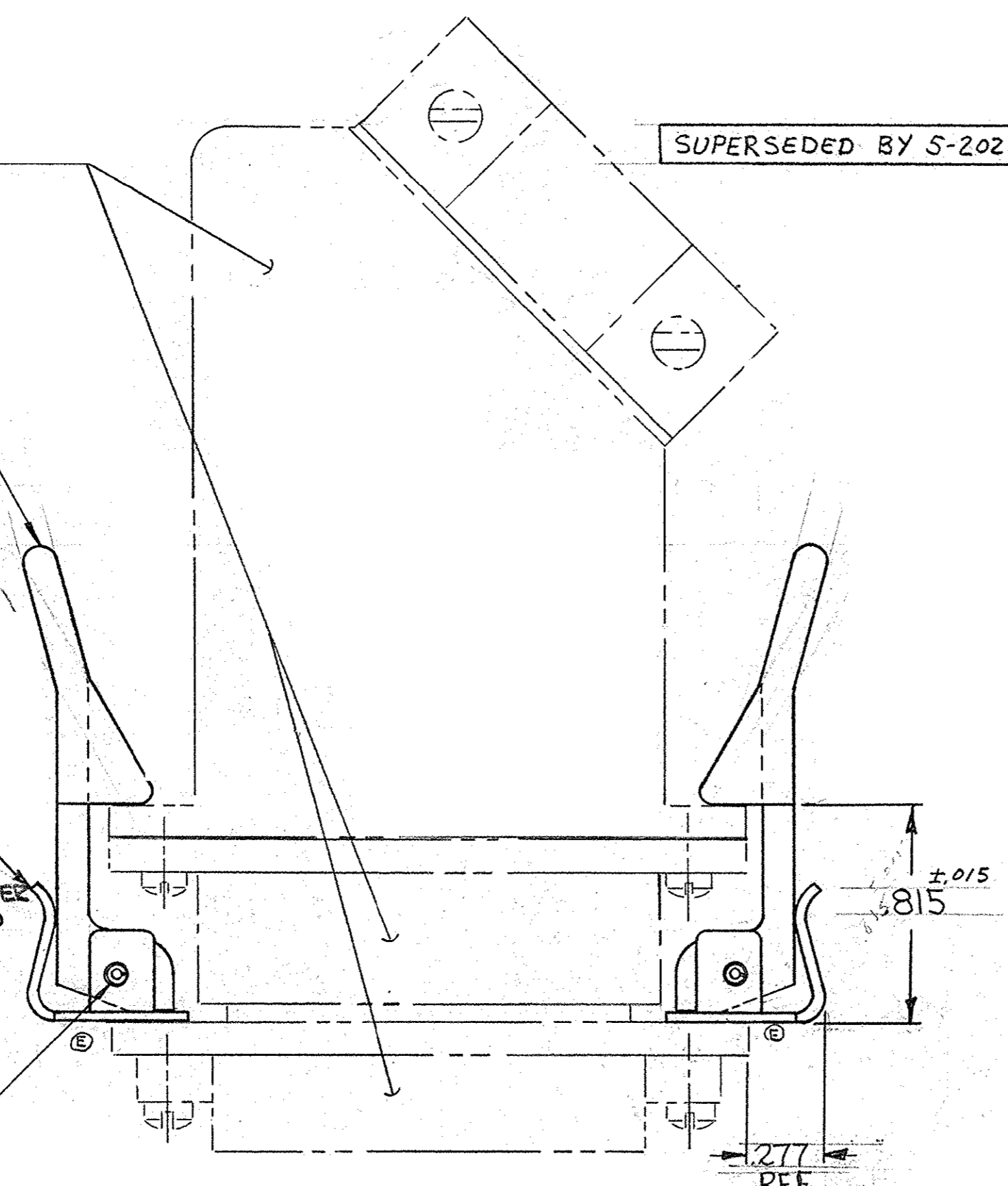
SUPERSEDED BY 5-202832-2

- 202832 -1 1. AS SHOWN
2. WITHOUT MOUNTING HARDWARE
- 202832 -2 1. SAME AS -1 EXCEPT
2. WITH MOUNTING HARDWARE \triangle
- 202832 -3 1. SAME AS -1 EXCEPT:
2. CONSIST OF ONE LOCKING LATCH ASSY WITHOUT MOUNTING HARDWARE.
- 5-202832-1 1. SAME AS -1 EXCEPT-
ROHS COMPLIANT RC
- 5-202832-2 1. SAME AS -1 EXCEPT-
WITH MOUNTING HARDWARE \triangle

LOCKING LATCH
MAT'L: ZINC DIE CAST
PER QQ-E-363

SPRING CATCH PLATE
MAT'L: CARBON STEEL PER
QQ-S-700
FINISH: PLATED NICKEL PER
QQ-N-290 OVER COPPER
FLASH PER MIL-C-14550

ROLL PIN (.094 DIA.)
MAT'L: CARBON STEEL
FINISH: PLATED ZINC



- \triangle MOUNTING HARDWARE: WASHER (PASSIVATED STAINLESS STEEL) #4-40 HEX NUT (ZINC PLATED CARBON STEEL) #4-40 FILLISTER HD SCREW (ZINC PLATED CARBON STEEL W/ SUPPLEMENTARY CHROMATE FINISH)
- 2. TWO LOCKING LATCH ASSEMBLIES ARE INCLUDED WITH -1, -2 & 5-2.
- 3. ALL LOCKING LATCHES MUST BE USED IN CONJUNCTION WITH A SHIELD AS SHOWN.
- 4. NOT TO BE USED WITH FLOATING BUSHINGS.
- \triangle MOUNTING HARDWARE: #4-40 FILLISTER SCREW, WASHER AND #4-40 HEX NUT- STAINLESS STEEL; PASSIVATED

AMP INFO		QTY REQD	NOMENCLATURE OR DESCRIPTION	PART OR IDENTIFYING NO.
LOC	PRINT DIST			
R39				
LIST OF MATERIALS OR PARTS LIST				
UNLESS OTHERWISE SPECIFIED		CONTRACT NO.		
DIMENSIONS ARE IN INCHES		DR <i>K. Jones</i> DATE 7/30/65		
TOLERANCES ON		CHK <i>R.S. Heide</i> DATE 9/10/65		
FRACTIONS	DECIMALS	ANGLES	DSGN ENGR <i>J. Hilligane</i> DATE 9-13-65	
\pm	$\pm .005$	\pm	APPD <i>F.B. Miller, Jr.</i> DATE 9-13-65	
MATERIAL		DSGN APPD		
\triangle SEE CALLOUTS		OTHER APPD		
HEAT TREAT		SIZE		
FINISH		CODE IDENT NO		
\triangle SEE CALLOUTS		C 00779		
		NUMBER		
		202832		
		REV		
		N		
SCALE 2-1		WT	CALC	ACTUAL
				SHEET

NUMBER 202832