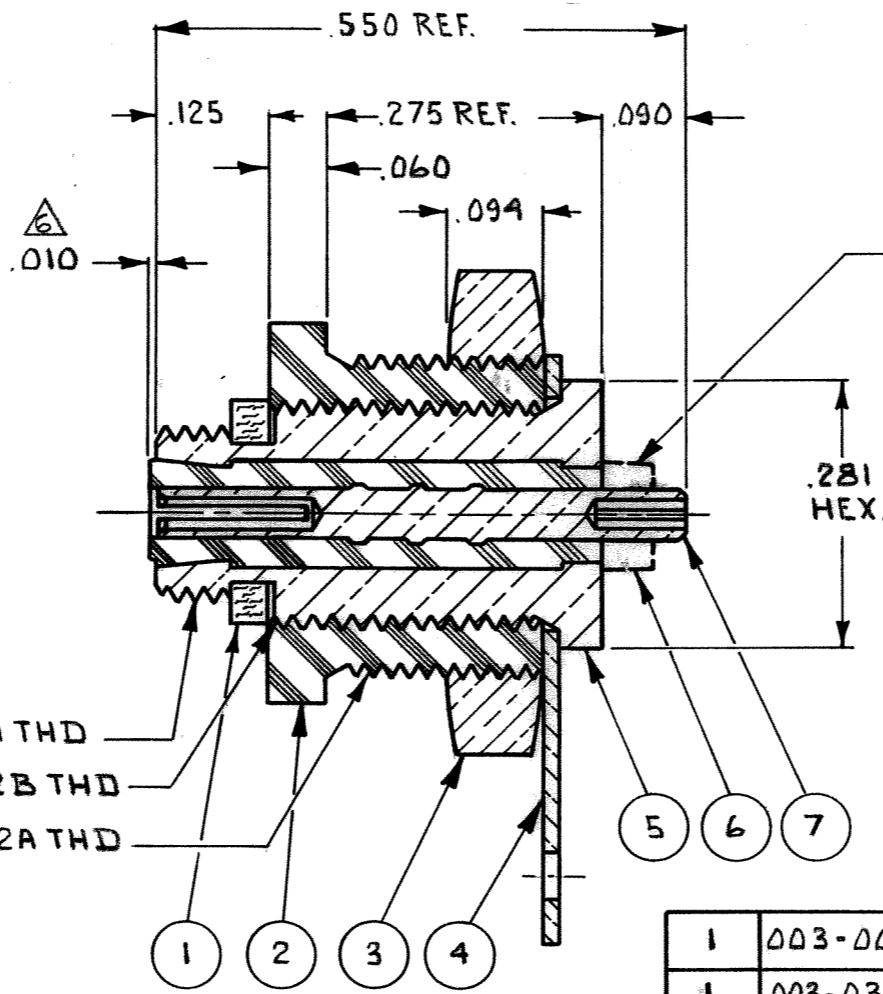
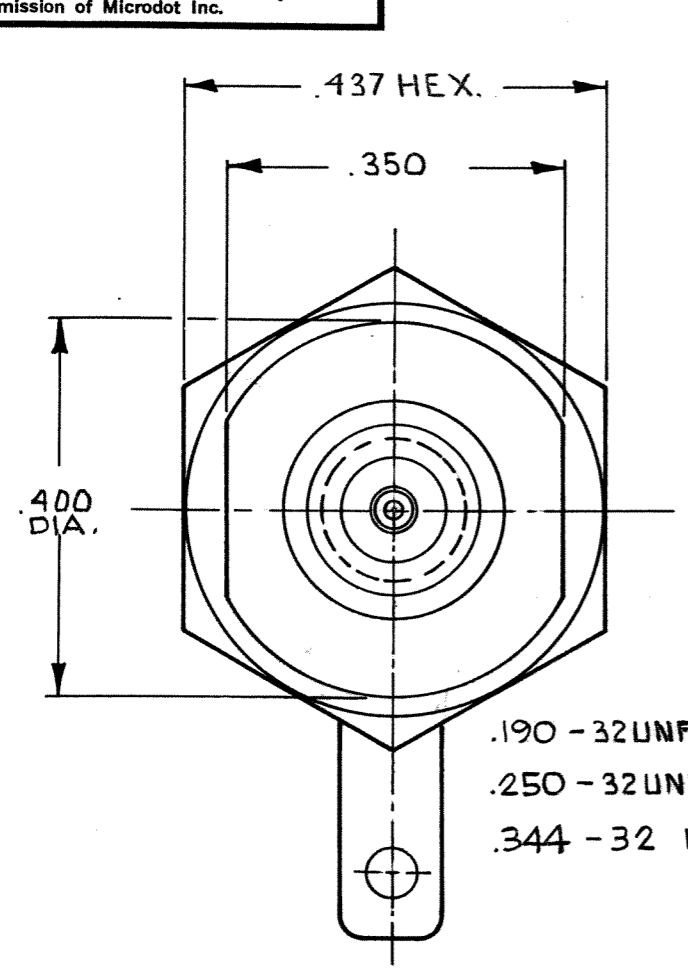


These drawings and specifications are the property of Microdot Inc., are issued in strict confidence and shall not be divulged, be reproduced or copied, or used as the basis for the manufacture or sale of any article without written permission of Microdot Inc.



.190 - 32 UNF - 2A THD  
 .250 - 32 UNEF - 2B THD  
 .344 - 32 NS - 2A THD

TRIM INSULATOR .000 TO +.015

Tyco Dwg 1467939  
 Micro P/N 031-0024-0001

REQD	PART NO	NOMENCLATURE	MAT'L & SPEC.	FINISH	ITEM
1	003-0067-0002	SOCKET CONTACT	BeCu, QQ-C-530	3	7
1	003-0374-0001	INSULATOR	TEFLON PER L-P-403		6
1	003-0037-0001	HOUSING	BRASS PER QQ-B-626	2	5
1	003-0200-0001	LUG	BRASS PER QQ-B-613	2	4
1	003-0206-0001	NUT, HEX	BRASS PER QQ-B-626	2	3
1	003-0202-0001	INSULATOR	NYLON		2
1	003-0268-0001	GASKET	SILICONE, ZZ-R-76W		1

△ POSSIBLE SQUEEZE OUT OF TEFLON CAN CHANGE OVERALL DIM.  
 5 INSULATION RESISTANCE -  $5.0 \times 10^9$  OHMS MIN.  
 4 WORKING VOLTAGE - 750 V.R.M.S.  
 △ GOLD PLATE PER MIL-G-45204, TYPE II, CL. I, GRD. C  
 △ SILVER PLATE .0002 MIN. PER QQ-S-365, TYPE II, GRADE A.  
 1 THIS CONNECTOR MATES WITH ALL PLUGS IN SERIES S-50 AS LISTED IN MALCO CATALOG.  
 NOTES: UNLESS OTHERWISE SPECIFIED

ASSEMBLY	NO REQ'D	LET	ECO	REVISION DESCRIPTION	BY	DATE	APP
		P		UPDATE REV. LETTER. 39532	FL	10/28/68	PS
		N	28052	UPDATE, SEE ECN	LM	5/17/69	MS
		M	9256	TRIM INSULATOR .000 TO +.015 WAS TRIM INSULATOR FLUSH	P.P.	11/19/69	UM
		L	7065	REV. & REOR.	G.K.	2/13/70	SL
					BY CK	DATE	APP

STANDARD TOLERANCES UNLESS OTHERWISE SPECIFIED  
 DEC. ± .010  
 FRAC. ±  
 ANGLES ±  
 ECCENTRICITY  
 MAX. T.I.R. \_\_\_\_\_  
 HOLE DIA. ± \_\_\_\_\_  
 SURFACE ROUGHNESS \_\_\_\_\_ MICRO INCHES  
 ✓ \_\_\_\_\_ MICRO INCHES  
 THREADS TO MIL-S-7742  
 COMMERCIAL TOLERANCES APPLY TO STOCK DIMENSIONS

**MALCO**  
 A MICRODOT COMPANY, INC.  
 220 PASADENA AVE., SO. PASADENA, CAL

SURFACE TREATMENT NOTED  
 MATERIAL NOTED  
 PROD. CODE 931  
 APP [Signature]  
 CHECKED BY [Signature]  
 DRAWN BY [Signature]  
 SCALE 5x  
 WT  
 DATE 7-1-35  
 BULKHEAD RECEPTACLE INSULATED  
 CODE CDM  
 DRAWING NUMBER 031-0024-0001 P