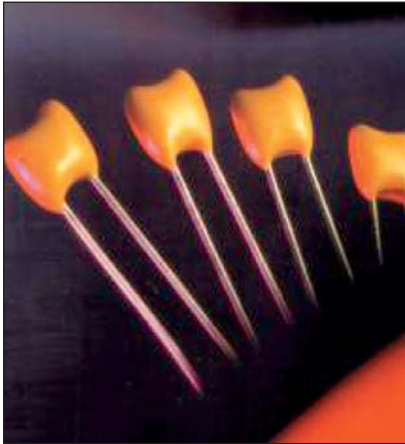


# Radial Ledged High Temperature Automotive **AVX**

## 150°C Rated Radial Ledged TransGuard®



### GENERAL DESCRIPTION

AVX High Temperature Multi-Layer Varistors are designed for underhood applications. Products have been tested, qualified, and specified to 150°C. The Radial Ledged TransGuard is built for durability in harsh environments. The MLV advantage is EMI/RFI attenuation in the off state. This allows designers to combine the circuit protection and EMI/RFI attenuation function into a single highly reliable device.

### FEATURES

- Rated at 150°C
- AEC Q200 qualified
- ESD rated to 25kV (HBM ESD Level 6)
- EMI/RFI attenuation in off state
- Excellent current and energy handling

### APPLICATIONS

- Under hood
- Down Hole Drilling
- Any high temperature application

### HOW TO ORDER

<b>VR15</b> AVX Style	<b>AT</b> Series AT = 150°C Automotive	<b>18</b> Voltage 18 = 18V	<b>A</b> Energy A = 0.1J	<b>650</b> Clamping Voltage 650 = 67V	<b>R</b> Leads R = RoHS Compliant	<b>TR2</b> Packaging TR2 - T&R Standard 2
--------------------------	---	----------------------------------	--------------------------------	--	--	--

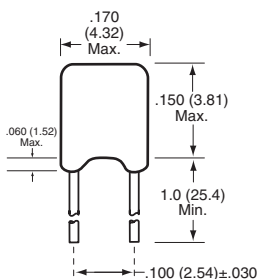


AVX Part Number	V <sub>w</sub> (DC)	V <sub>w</sub> (AC)	V <sub>B</sub>	V <sub>C</sub>	E <sub>T</sub>	I <sub>P</sub>	I <sub>L</sub>	Jump Start	Cap
VR15AT18A650R	18	13	41 ± 10%	67	0.1	30	10	29	90

V<sub>w</sub>(DC) DC Working Voltage [V]  
 V<sub>w</sub>(AC) AC Working Voltage [V]  
 V<sub>B</sub> Breakdown Voltage [V @ 1mA<sub>DC</sub>]  
 V<sub>C</sub> Clamping Voltage [V @ 1A]

I<sub>L</sub> Maximum leakage current at the working voltage [µA]  
 E<sub>T</sub> Transient Energy Rating [J, 10x1000µS]  
 I<sub>P</sub> Peak Current Rating [A, 8x20µS]  
 Cap Capacitance [pF] @ 1KHz specified and 0.5V<sub>RMS</sub>  
 Jump Start Max V

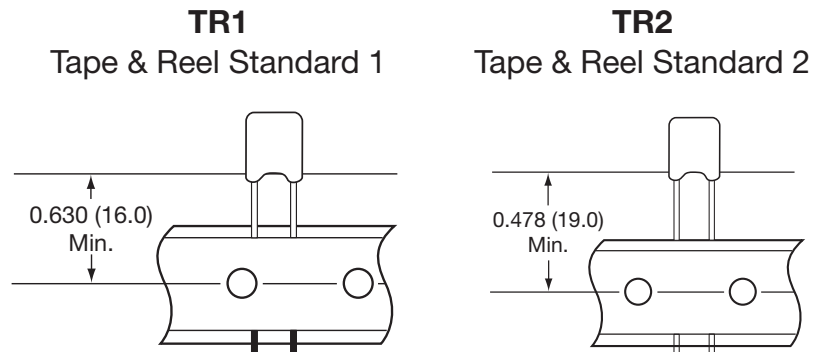
### PHYSICAL DIMENSIONS



mm (inches)

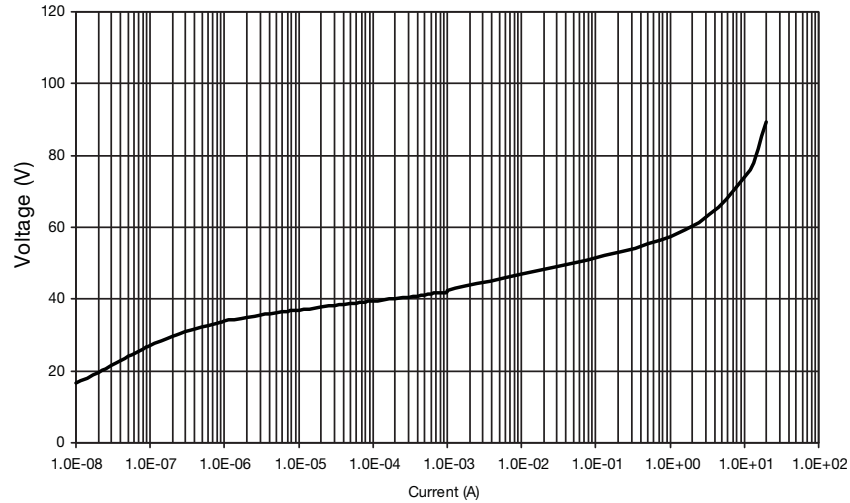
Width	Height	Thickness	Lead Spacing	Lead Diameter
4.32 Max. (0.170)	3.81 (0.150)	2.54 (0.100)	2.54 (0.100)	0.508 (0.020)

### TAPE & REEL PACKAGING OPTIONS

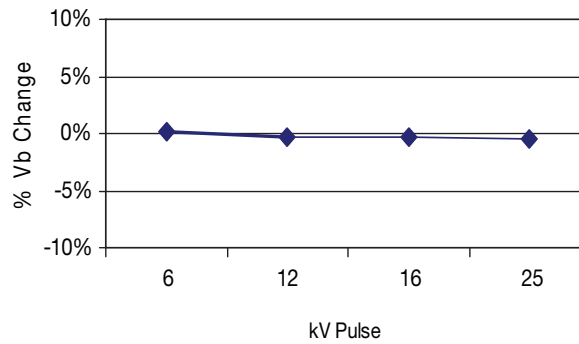


### TYPICAL PERFORMANCE CURVES

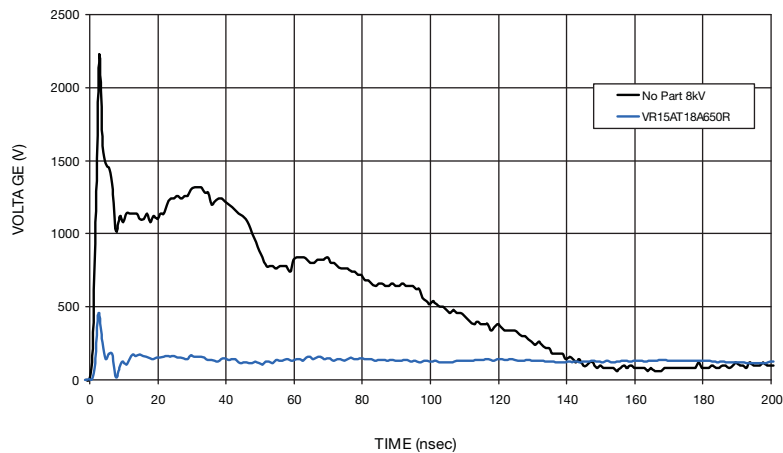
#### Voltage/Current Characteristics



#### AEC-Q200-002 ESD Characteristics



#### ESD Wave Absorption Characteristics



8 kV ESD Vc  
(150pF/330ohm IEC Network)