

4

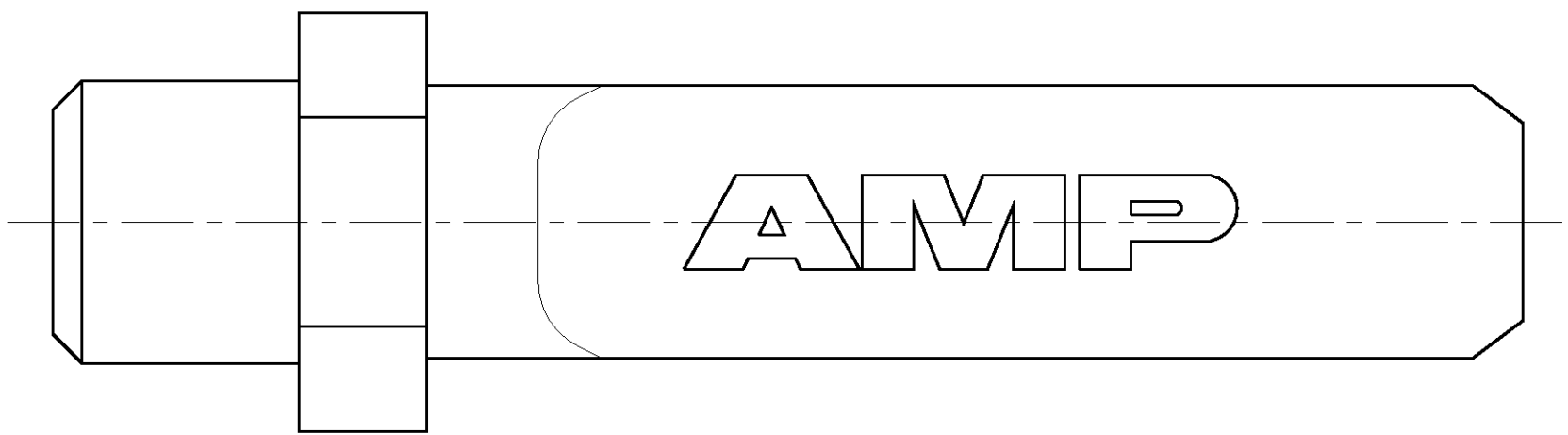
3

2

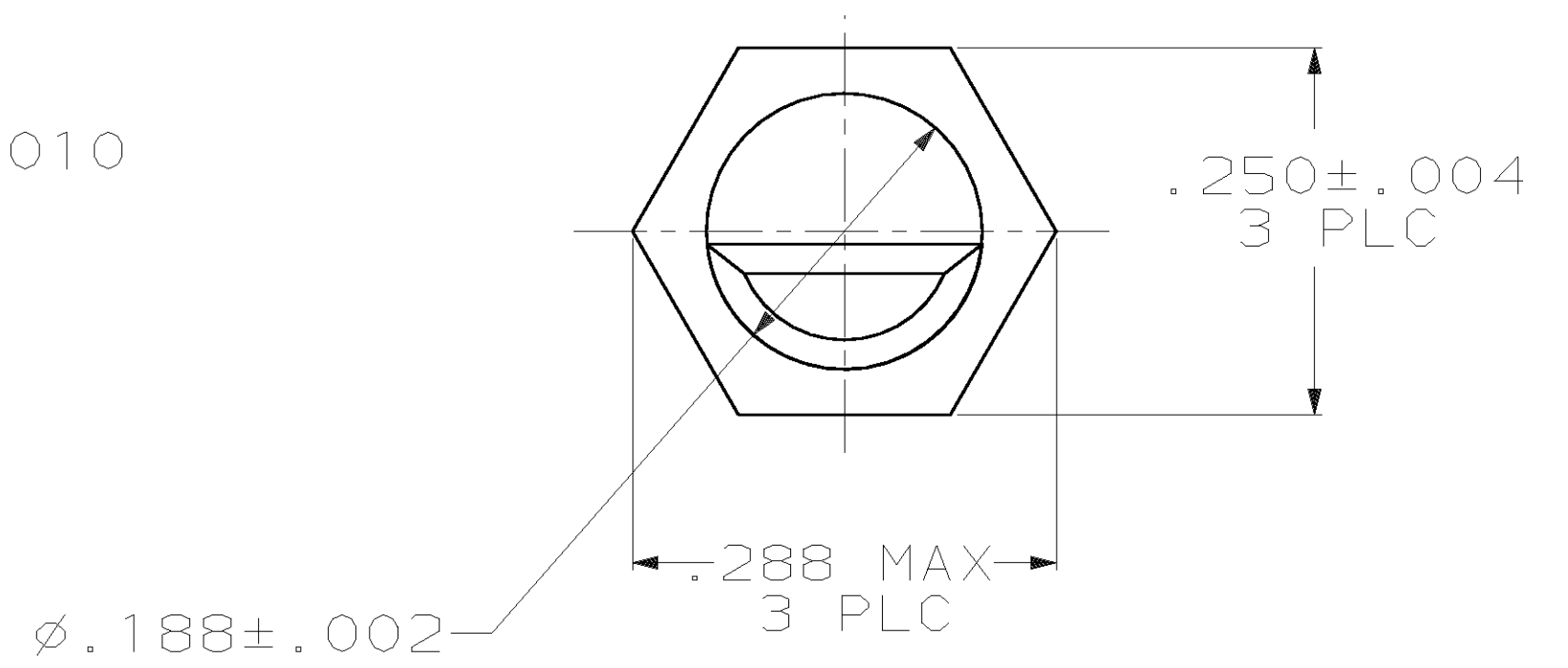
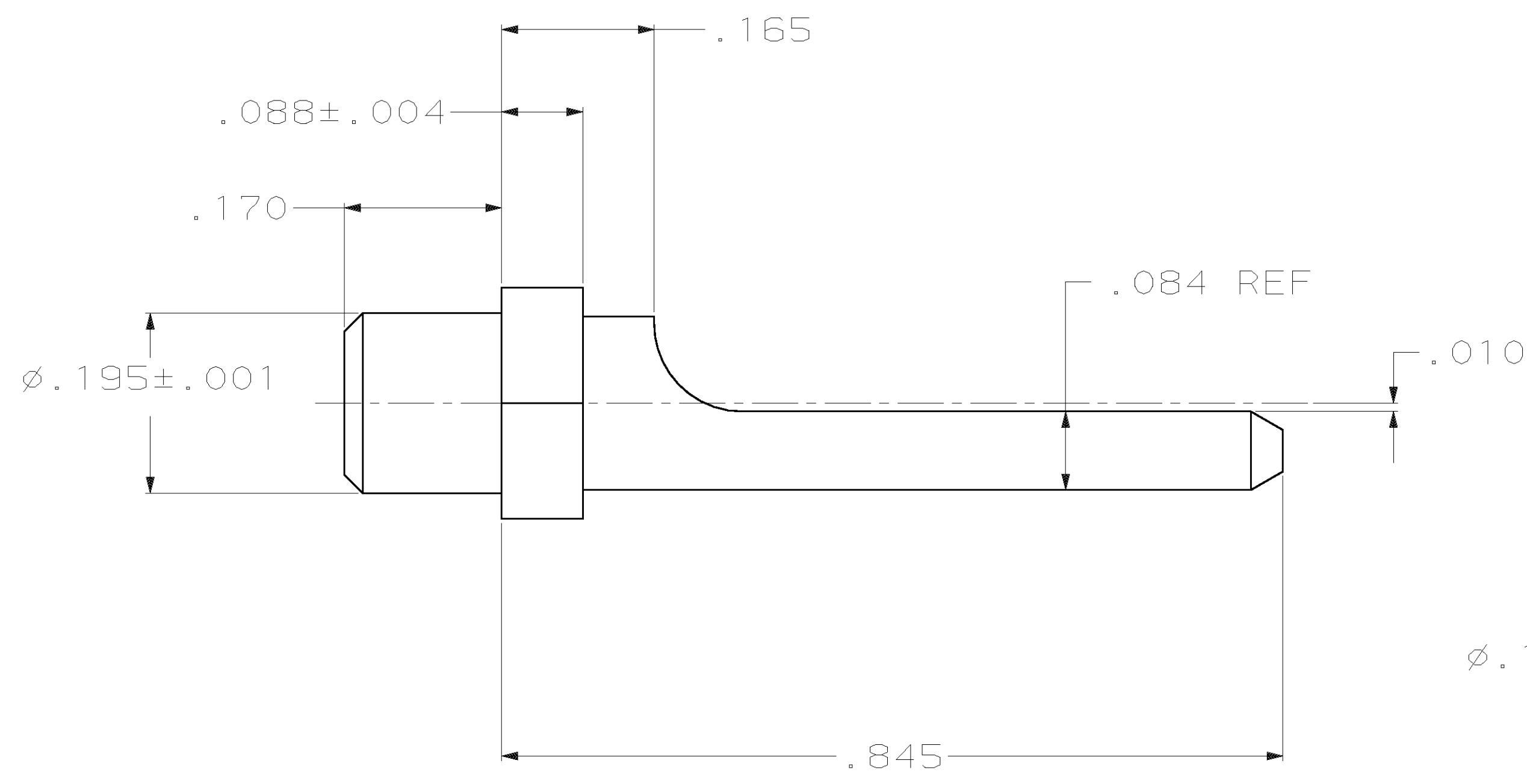
1

THIS DRAWING IS UNPUBLISHED. RELEASED FOR PUBLICATION
 (C) COPYRIGHT 19 BY AMP INCORPORATED. ALL RIGHTS RESERVED.

LOC		DIST		REVISIONS			
P	LTR	DESCRIPTION	DATE	DWN	APVD		
0		RELEASED	3-02	CT	5G		



- 1 MATERIAL: ZINC ALLOY PER ASTM-B-86.
- 2 FINISH: ELECTROLESS NICKEL .000500 MIN THICK PER MIL-C-26074.



1218693-2
 PART NO.

THIS DRAWING IS A CONTROLLED DOCUMENT.		DWN	C.C. THOMAS	3-5-02	 TYCO Electronics Harrisburg, PA 17105-3608
DIMENSIONS:		CHK	S. GLATFELTER	3-5-02	
INCHES		APVD	S. GLATFELTER	3-5-02	
		PRODUCT SPEC	NAME		
TOLERANCES UNLESS OTHERWISE SPECIFIED: 0 PLC ± 1 PLC ± 2 PLC ± 3 PLC ±.005 4 PLC ± ANGLES ±2°		APPLICATION SPEC	POLARIZING POST		RESTRICTED TO
MATERIAL		WEIGHT	ARINC 600		
FINISH		CUSTOMER DRAWING	SCALE	8:1	SHEET
			A2	00779	DRAWING NO.
				C=	1218693
					REV
					0