

PLEASE CHECK WWW.MOLEX.COM FOR LATEST PART INFORMATION

Part Number: [1200705138](#)
Status: **Active**
Overview: [Brad® Micro-Change® \(M12\) Connectors](#)
Description: [Micro-Change® \(M12\) Male Receptacle with Flange, 8 Poles Solder Cups](#)

Documents:

[Drawing \(PDF\)](#) [RoHS Certificate of Compliance \(PDF\)](#)

General

Product Family	Industrial Receptacles
Series	120070
IP Rating	IP67
NEMA Rating	NEMA 6
Overview	Brad® Micro-Change® (M12) Connectors
Product Name	Micro-Change® (M12)
Type	PCB Mount
UPC	883906773519

Physical

Coupling Type	External Thread
Gender	Male
Keyway	Single
Length	N/A
Material - Component	Nickel-plated Brass
Mounting Thread Size	N/A
Orientation	Straight
Panel Mount	With Flange
Poles	8
Temperature Range - Operating	-40°C to +125°C
Wire Size AWG	N/A
Wire/Cable Type	N/A

Electrical

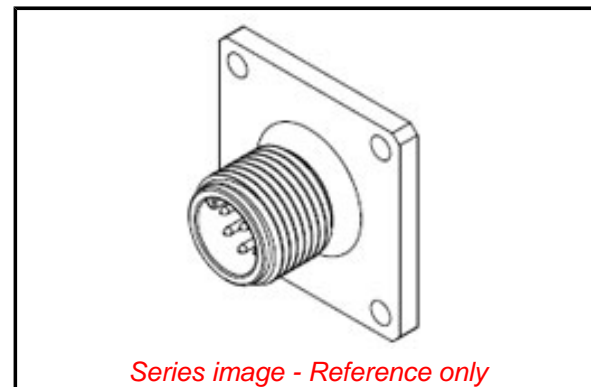
Current - Maximum per Contact	3.0A
Voltage - Maximum	30V AC / 36V DC

Material Info

Old Part Number	0912 083GM 04000
-----------------	------------------

Reference - Drawing Numbers

Sales Drawing	SD-120070-003
---------------	---------------



EU ELV

Not Relevant

EU RoHS

Not Compliant

REACH SVHC

Not Contained Per -
ED/108/2014 (17 Dec
2014)

Halogen-Free

Status

Low-Halogen

**Need more information on product
environmental compliance?**

Email productcompliance@molex.com
Please visit the [Contact Us](#) section for any
non-product compliance questions.

China ROHS

50 Image

ELV

Not Relevant

Search Parts in this Series

[120070](#) Series