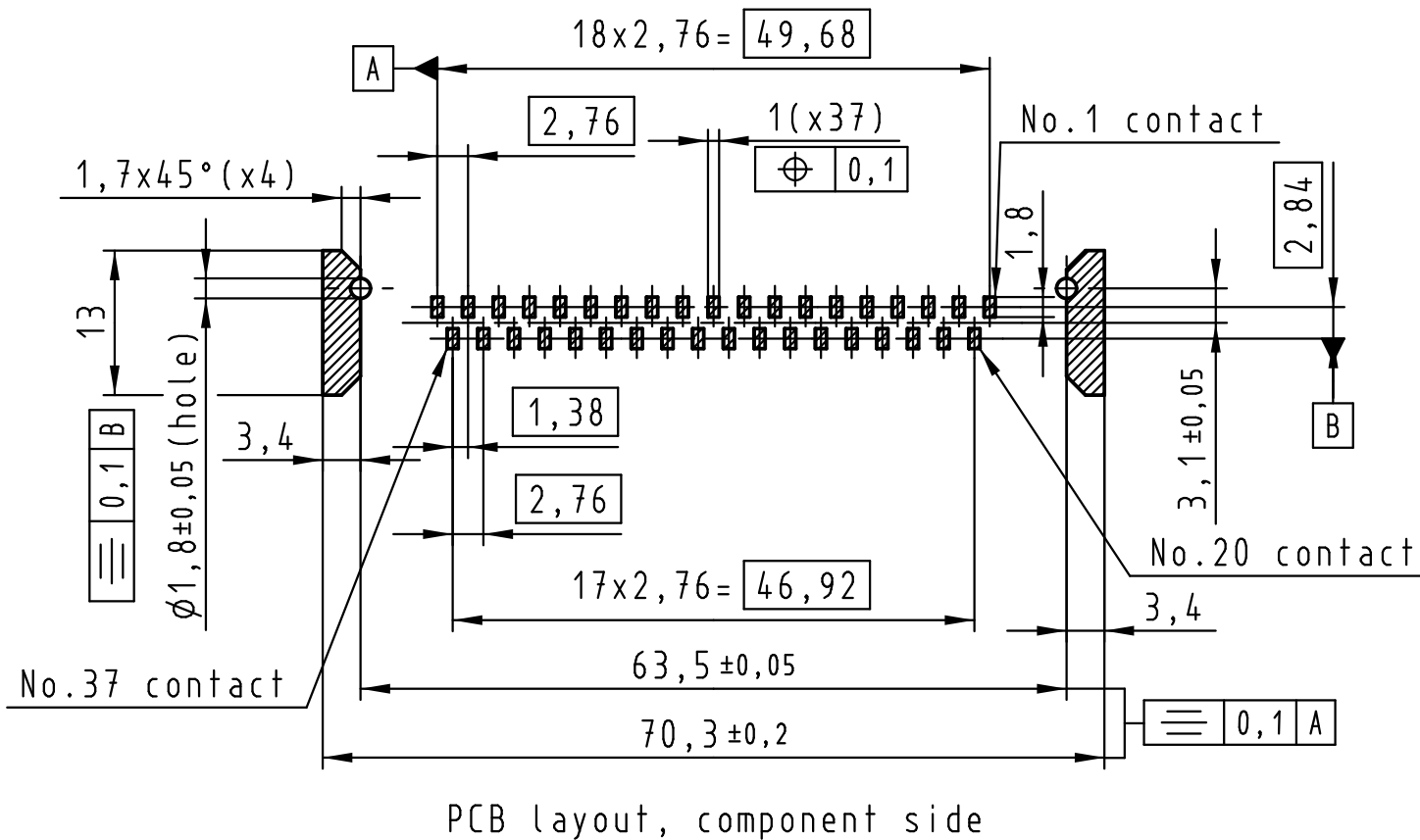
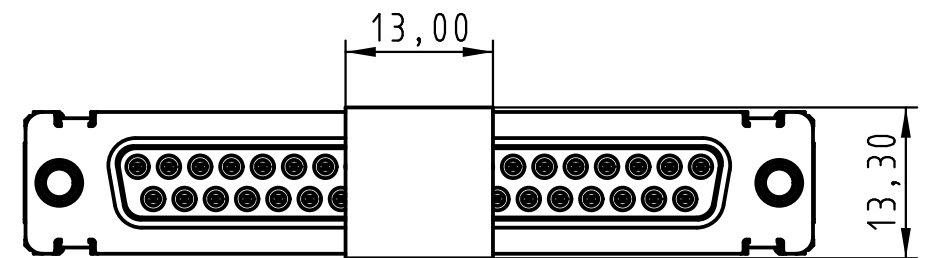
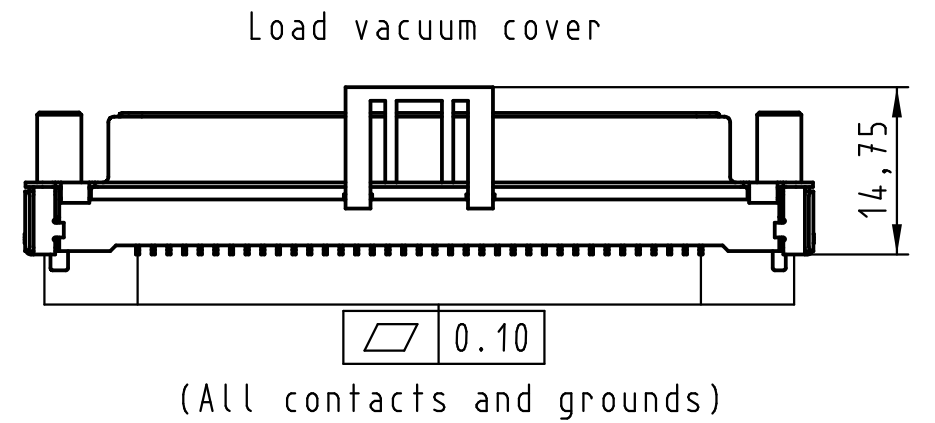
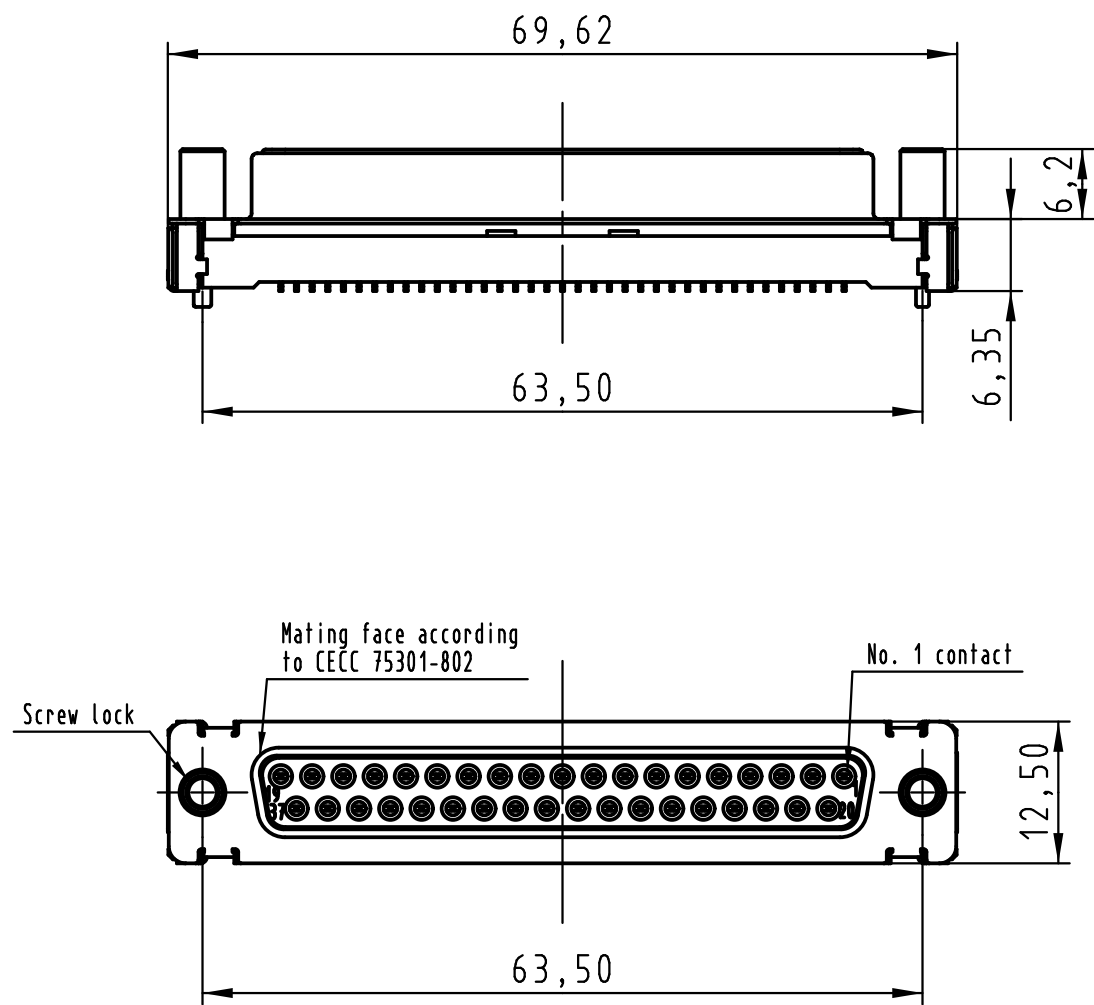


All rights reserved

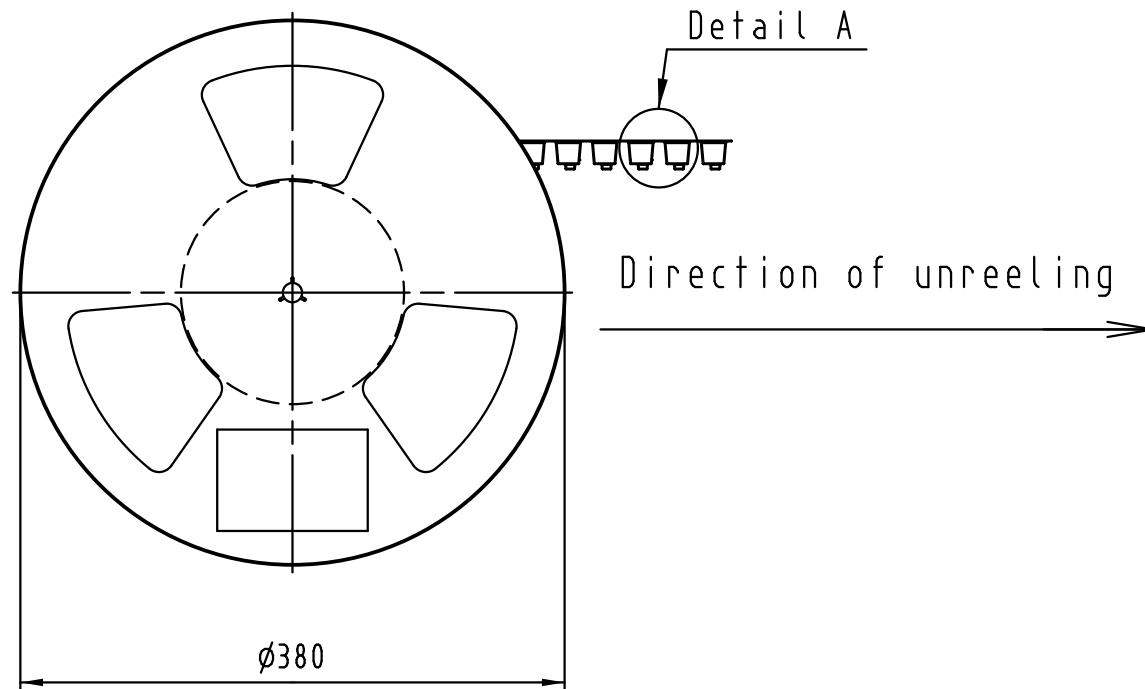
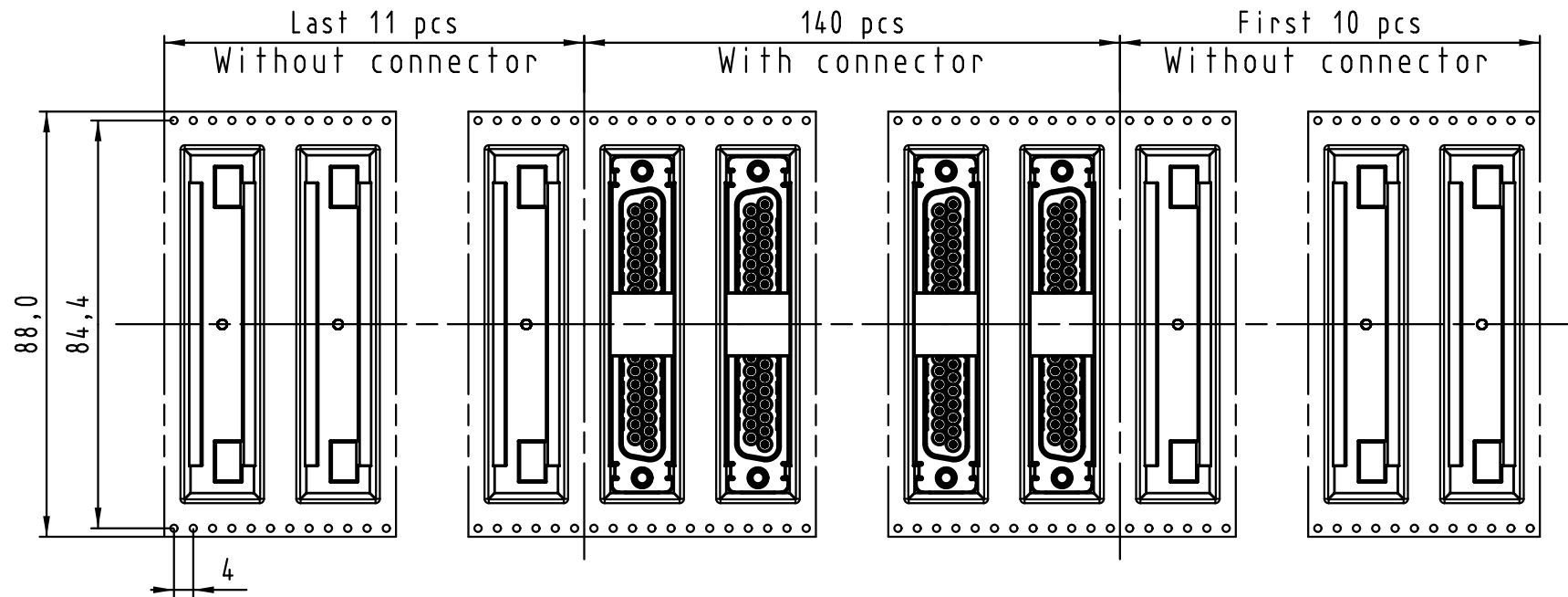


Max. Temperature: 260° during 10 seconds.

0955 415 3621 741	1	M3	Black insulator	Reel Packaging: 140 connectors (See details on page 2/2)
0955 415 3622 741	1	4-40 UNC		
0955 415 6621 741	2	M3		
0955 415 6622 741	2	4-40 UNC		
0955 415 7621 741	3	M3		
0955 415 7622 741	3	4-40 UNC		
Part number		PL	Screw lock	
Index designation				
All Dimensions in mm Original Size DIN A 3		Techn. Character.		Free size tolerances
		Dat.	Name	Scale
		Detail.	25-Oct-11 Johnson.S	1.5:1
		Insp.	17-Nov-11 Steven.W	
		Stand.	17-Nov-11 Steven.W	
EC04070		17-Nov-11	Johnson.S	Zhuhai HARTING Limited
Mod.	Dat.	Name		HARTING
D-Sub SMT, 37 poles Female, Straight with screw locks and ground pads				TB 09 55 415 x62x
Sub.				Page 1/2



Detail A



See TB 09 55 415 x62x folio 1/2 for connector dimensions and PCB layout

Packaging in accordance with EIA 481-2.

0955 415 3621 741	1	M3	Black insulator	Reel Packaging: 140 connectors
0955 415 3622 741	1	4-40 UNC		
0955 415 6621 741	2	M3		
0955 415 6622 741	2	4-40 UNC		
0955 415 7621 741	3	M3		
0955 415 7622 741	3	4-40 UNC		
Part number	PL	Screw lock	Index designation	

All Dimensions in mm Original Size DIN A 3			Techn. Character.			Free size tolerances			
				Dat.	Name	Scale			
			Detail.	25-Oct-11	Johnson.S	D-Sub SMT, 37 poles Female, Straight with screw locks and ground pads			
			Insp.	17-Nov-11	Steven.W				
			Stand.	17-Nov-11	Steven.W				
EC04070	17-Nov-11	Johnson.S	Zhuhai HARTING Limited					TB 09 55 415 x62x	Page 2/2
Mod.	Dat.	Name				Sub.			

All rights reserved