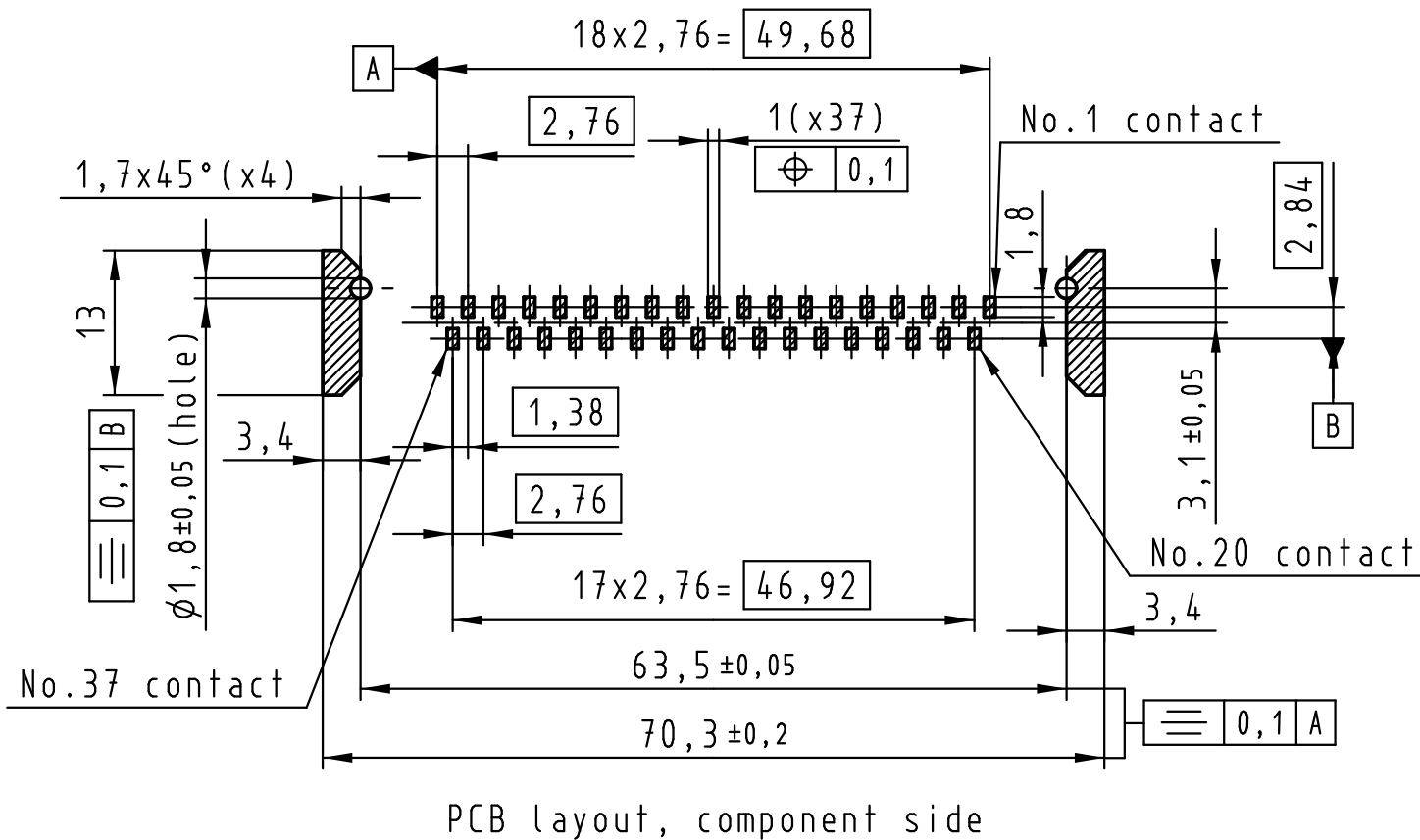
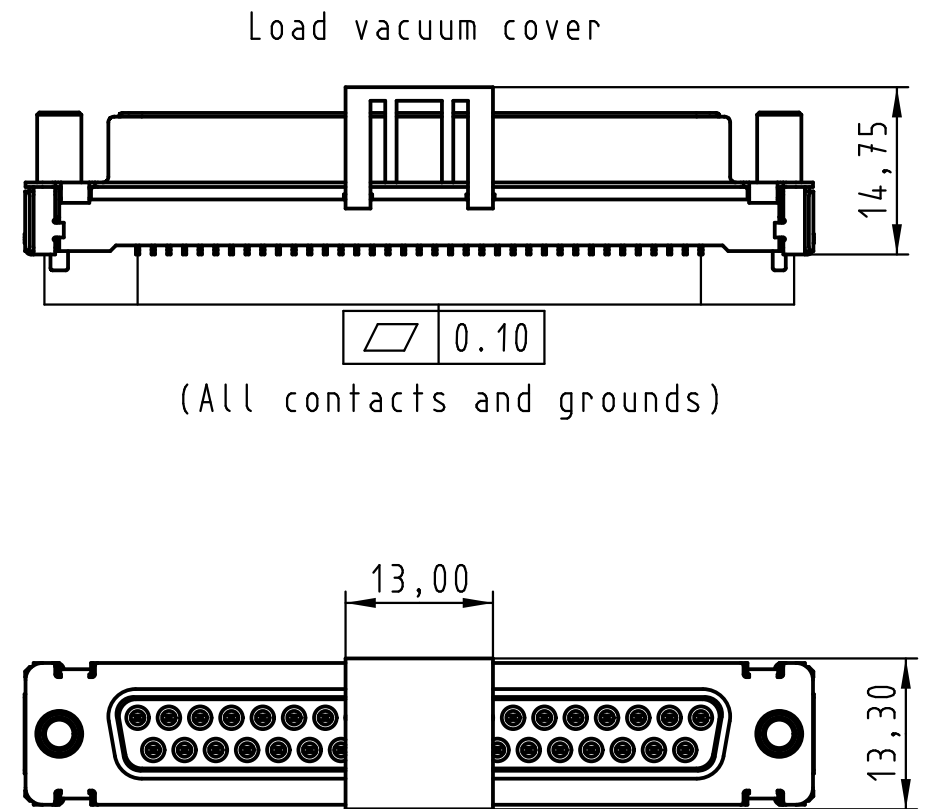
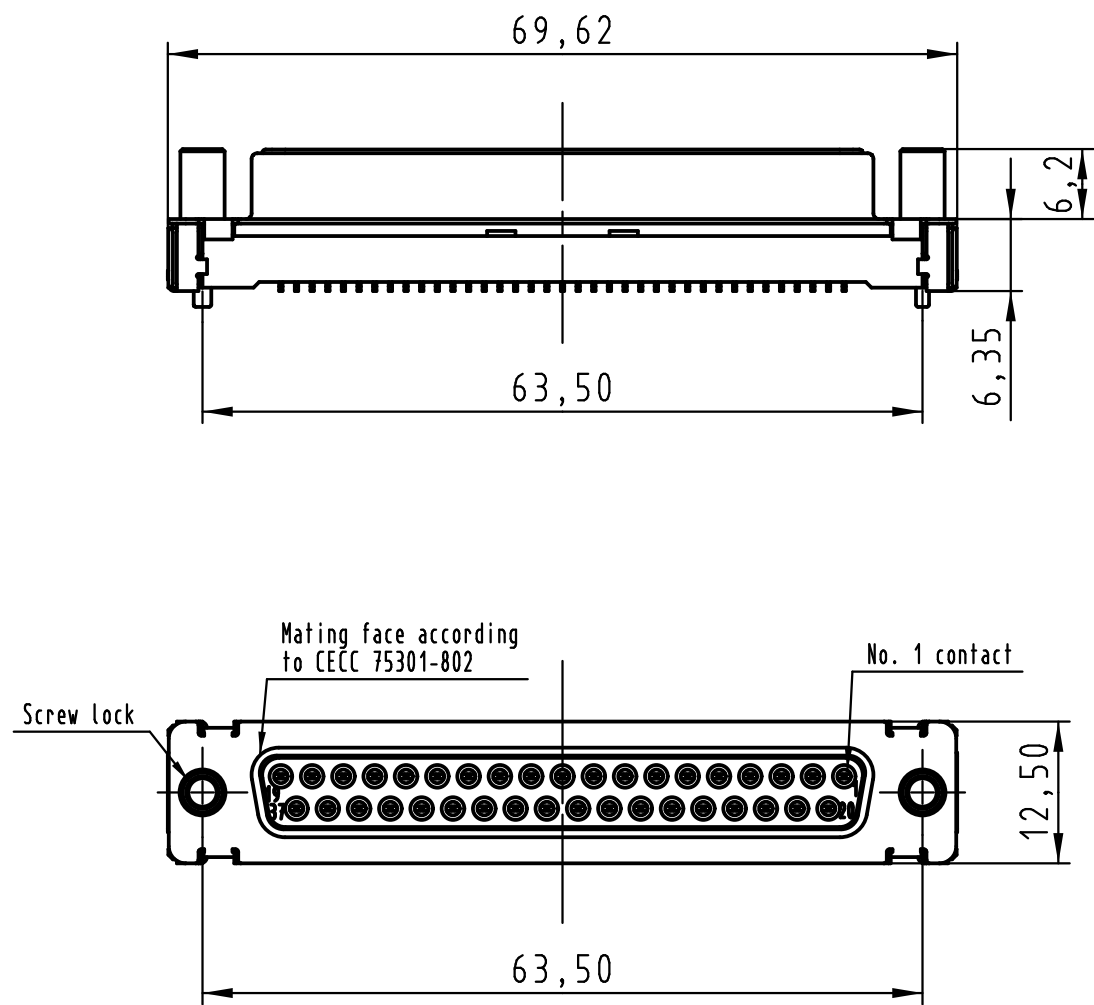
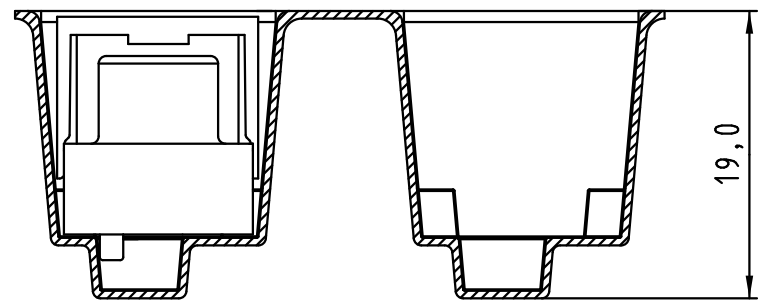


All rights reserved

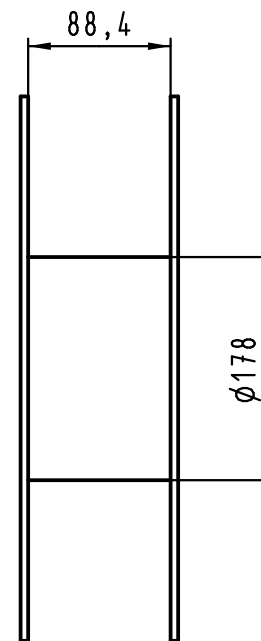
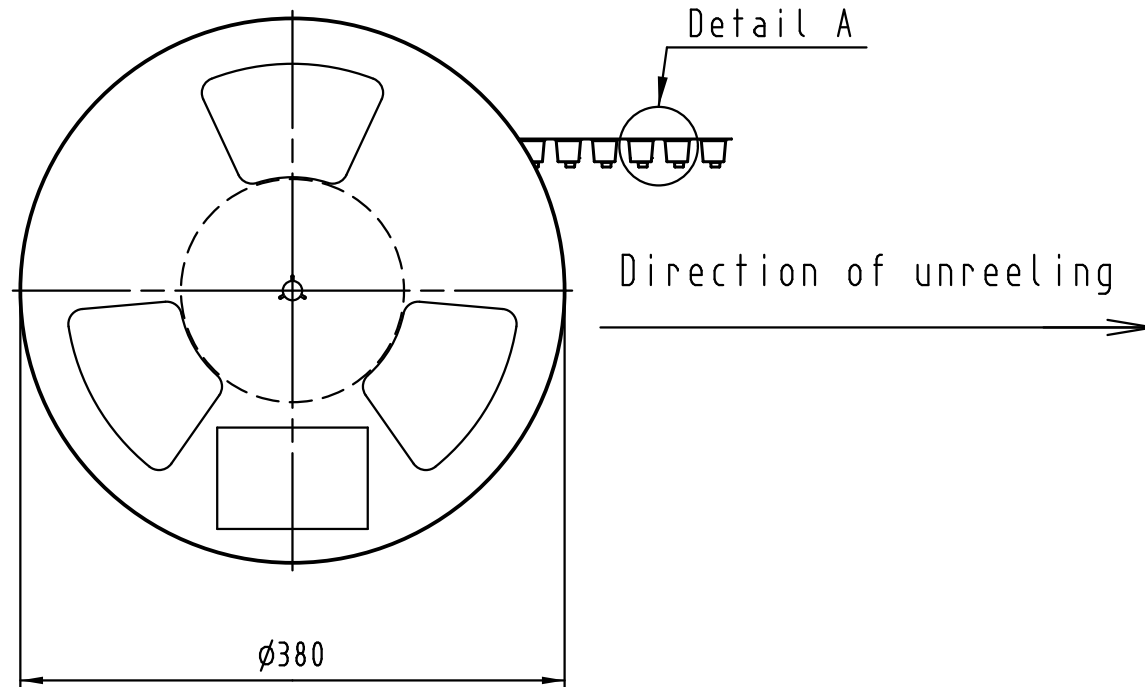
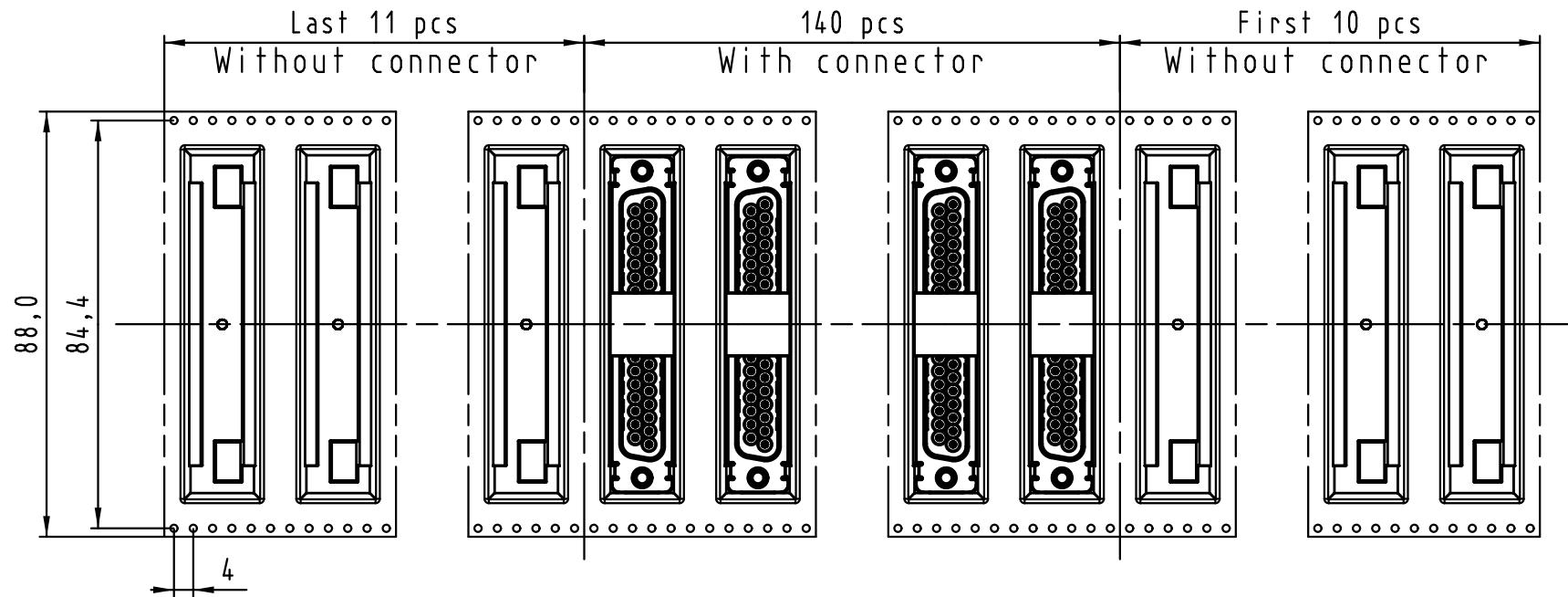


Max. Temperature: 260° during 10 seconds.

| | | | | |
|-------------------|------|-------------------|---|--|
| 0955 415 3621 741 | 1 | M3 | Black insulator | Reel Packaging: 140 connectors (See details on page 2/2) |
| 0955 415 3622 741 | 1 | 4-40 UNC | | |
| 0955 415 6621 741 | 2 | M3 | | |
| 0955 415 6622 741 | 2 | 4-40 UNC | | |
| 0955 415 7621 741 | 3 | M3 | | |
| 0955 415 7622 741 | 3 | 4-40 UNC | | |
| Part number | | PL | Screw lock | |
| Index designation | | | | |
| | | Techn. Character. | | Free size tolerances |
| | | Dat. | Name | Scale |
| | | Detail. | 25-Oct-11 Johnson.S | 1.5:1 |
| | | Insp. | 17-Nov-11 Steven.W | |
| | | Stand. | 17-Nov-11 Steven.W | |
| EC04070 | | 17-Nov-11 | Johnson.S | Zhuhai HARTING Limited |
| Mod. | Dat. | Name | D-Sub SMT, 37 poles Female, Straight with screw locks and ground pads TB 09 55 415 x62x | |
| | | | | Page 1/2 |
| | | | | Sub. |



Detail A



See TB 09 55 415 x62x folio 1/2 for connector dimensions and PCB layout

Packaging in accordance with EIA 481-2.

| | | | | |
|-------------------|----|------------|-------------------|-----------------------------------|
| 0955 415 3621 741 | 1 | M3 | Black insulator | Reel Packaging: 140 connectors |
| 0955 415 3622 741 | 1 | 4-40 UNC | | |
| 0955 415 6621 741 | 2 | M3 | | |
| 0955 415 6622 741 | 2 | 4-40 UNC | | |
| 0955 415 7621 741 | 3 | M3 | | |
| 0955 415 7622 741 | 3 | 4-40 UNC | | |
| Part number | PL | Screw lock | Index designation | |

| | | | | | | | |
|---|-----------|-----------|------------------------|-----------|-----------|----------------------|---|
| All Dimensions in mm Original Size DIN A 3 | | | Techn. Character. | | | Free size tolerances | |
| | | | | Dat. | Name | Scale | D-Sub SMT, 37 poles Female, Straight with screw locks and ground pads |
| | | | Detail. | 25-Oct-11 | Johnson.S | | |
| | | | Insp. | 17-Nov-11 | Steven.W | | |
| | | | Stand. | 17-Nov-11 | Steven.W | | |
| EC04070 | 17-Nov-11 | Johnson.S | Zhuhai HARTING Limited | | | TB 09 55 415 x62x | Page 2/2 |
| Mod. | Dat. | Name | | | | Sub. | |

All rights reserved