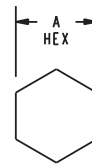
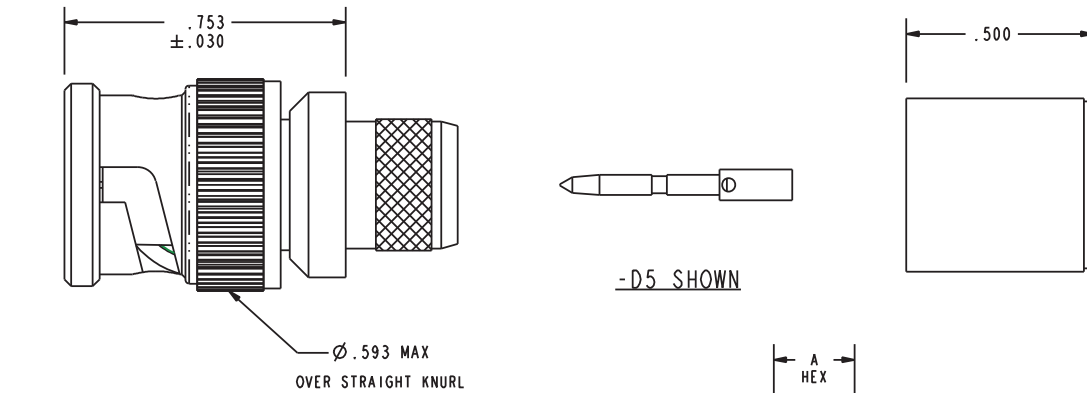
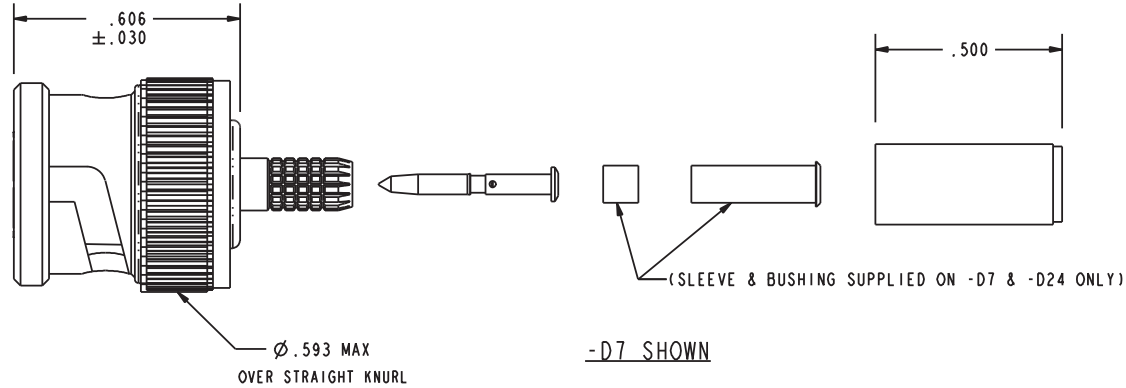


REVISIONS			
REV	DESCRIPTIONS	DATE	APPROVED
S	ECO 53205	5/17/11	Tko

DASH NO	CABLE ACCOMMODATED	A HEX	ASSEMBLE PER
-D1	COMM/SCOPE 7538	.178	TAI-247
-D2	BELDEN 1505A GEPKO VPM2000	.255	
-D3	RG-59		
-D4	BELDEN 1694A GEPKO VSD2001	.290	
-D5	BELDEN 7731A COMM/SCOPE 5906	.403	
-D6	BELDEN 1695A	.290	
-D7	BELDEN 9221 RG-179	.178	
-D8	BELDEN 1506A GEPKO VPM2000TK	.255	
-D9	BELDEN 9209		
-D10	BELDEN 8281	.324	
-D11	WESTPENN 25815	.255	
-D12	NOKIA 0.6/2.8	.213	
-D13	COMM/SCOPE 7530	.344	
-D14	BELDEN 8279 GEPKO VPM618 CANARE L-3CFB	.255	
-D15	COMM/SCOPE F59	.290	
-D16	BELDEN 7732A COMM/SCOPE 2285	.403	
-D17	NK NETWORKS 0.6/3.7	.290	
-D18	COMM/SCOPE S59 HEC		
-D19	BELDEN 1855A	.213	
-D20	BELDEN 1505F	.255	
-D21	VDM230	.213	
-D23	M17/2 (RG 6)	.344	
-D24	BELDEN 179DT	.178	
-D25	BELDEN 1694F	.324	



RECOMMENDED  
HEX CRIMP

3. EXAMPLE OF A COMPLETE MODEL NO:

UPL2000 - D1  
 BASIC P/N      DASH NO.  
                                 PER TABLE

2. RF COAXIAL 75Ω BNC FULL CRIMP CABLE PLUG FOR DIGITAL APPLICATION

1. FINISH: BODY: TFS-1A (NICKEL)  
 OUTER CONTACT: TFS-1Z (GOLD FLASH Pd Ni)  
 PIN: TFS-1B (GOLD)  
 BAYONET SLEEVE: BLACK ELECTROLESS NICKEL

NOTES: UNLESS OTHERWISE SPECIFIED.

INTERPRET DRAWING PER MIL-STD-100 DIMENSIONS ARE IN INCHES AND INCLUDE FINISH THICKNESS UNLESS OTHERWISE SPECIFIED.		TO: UNLESS SPECIFIED: .XX ± .02 .XXX ± .010 .XXXX ± 1° 00' CRITICAL		<b>EMERSON</b> Network Power Connectivity Solutions 299 Johnson Ave, Ste. 100 Waseca, MN 56093 1-800-247-8256
DRN    BPK    5/17/11 CHK    Tko    5/19/11		MATERIAL:		
QUALITY DRAWN APPROVED		FINISH:		
N/A BLANK LENGTH (REF. ONLY) N/A SURFACE AREA		TITLE:  UPL2000		SIZE    CAGE CODE    DRAWING NO.    REV. B    14949    1-0569    S
DO NOT SCALE DWG		SCALE    DATE    SHEET 2/1    4/23/01    1 OF 2		