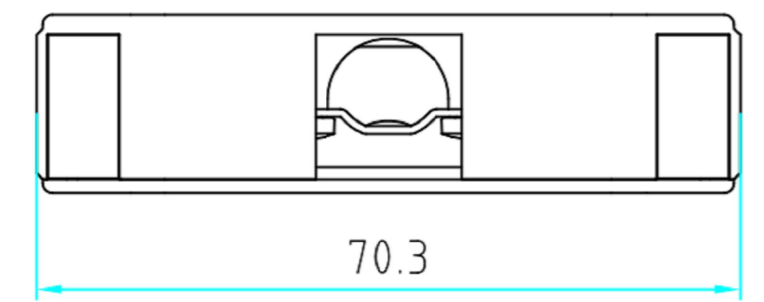
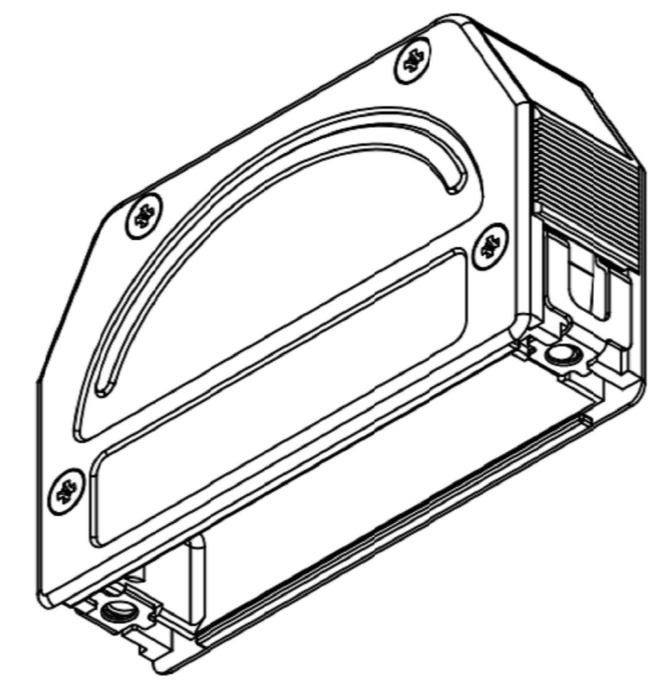
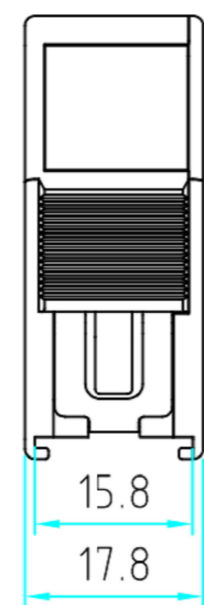
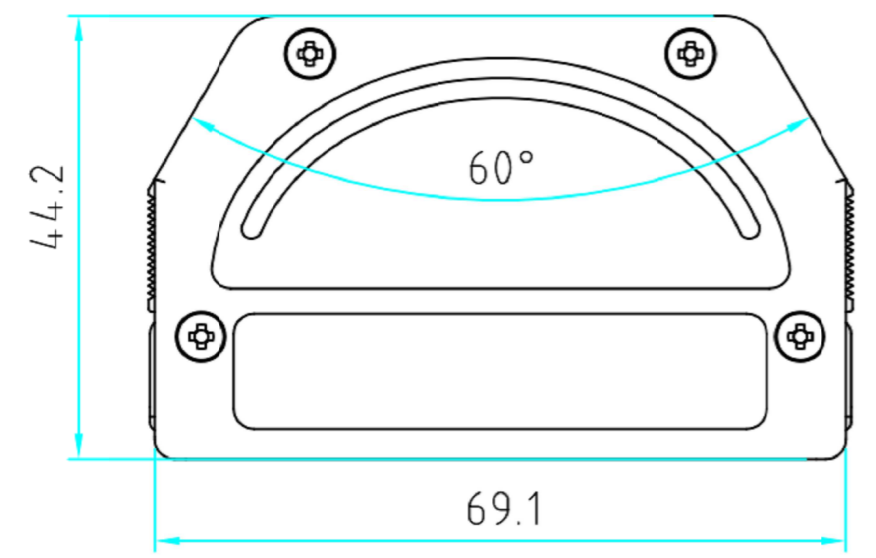
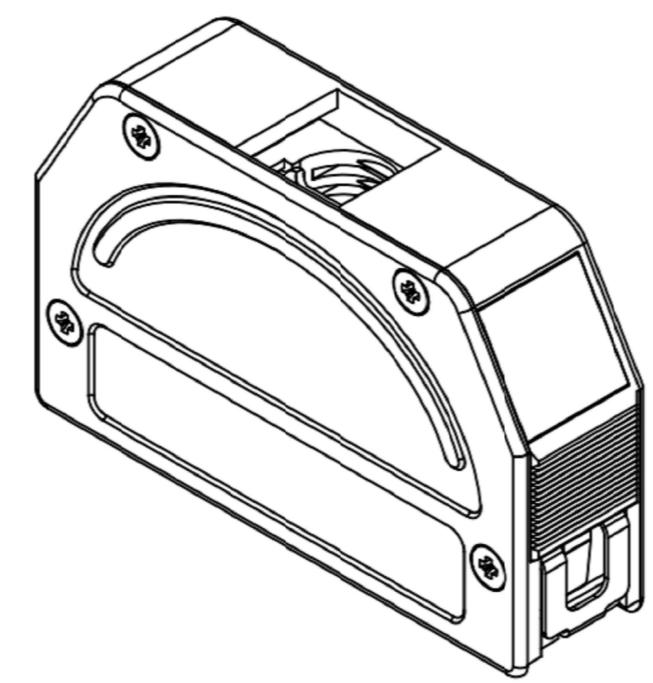
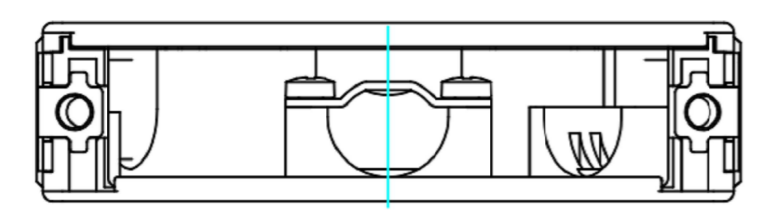
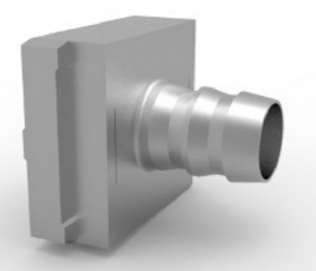


THIS DRAWING IS UNPUBLISHED.		RELEASED FOR PUBLICATION	
© COPYRIGHT - By -		ALL RIGHTS RESERVED.	
PROJECT	PRJ-16-000909157		
PART NO.	X-2308338-X		
DESCRIPTION	QL-FULL METAL HOODS SIZE 5		
CUSTOMER	GENERAL MARKET		

REVISIONS					
P	LTR	DESCRIPTION	DATE	DWN	APVD
	A2	REVISED PER ECR-16-014891	20OCT2016	KK	GG



CABLE CLAMP



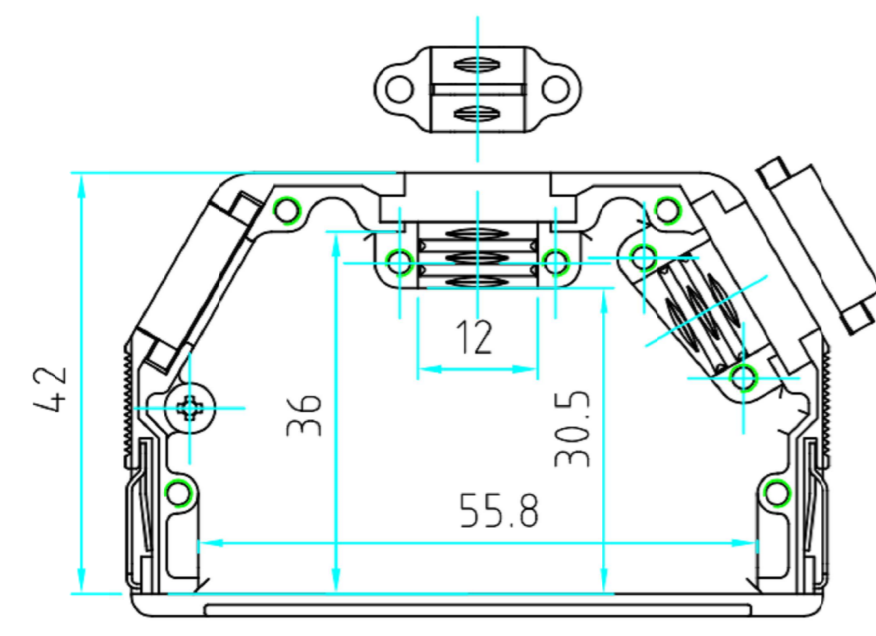
CRIMP FLANGE



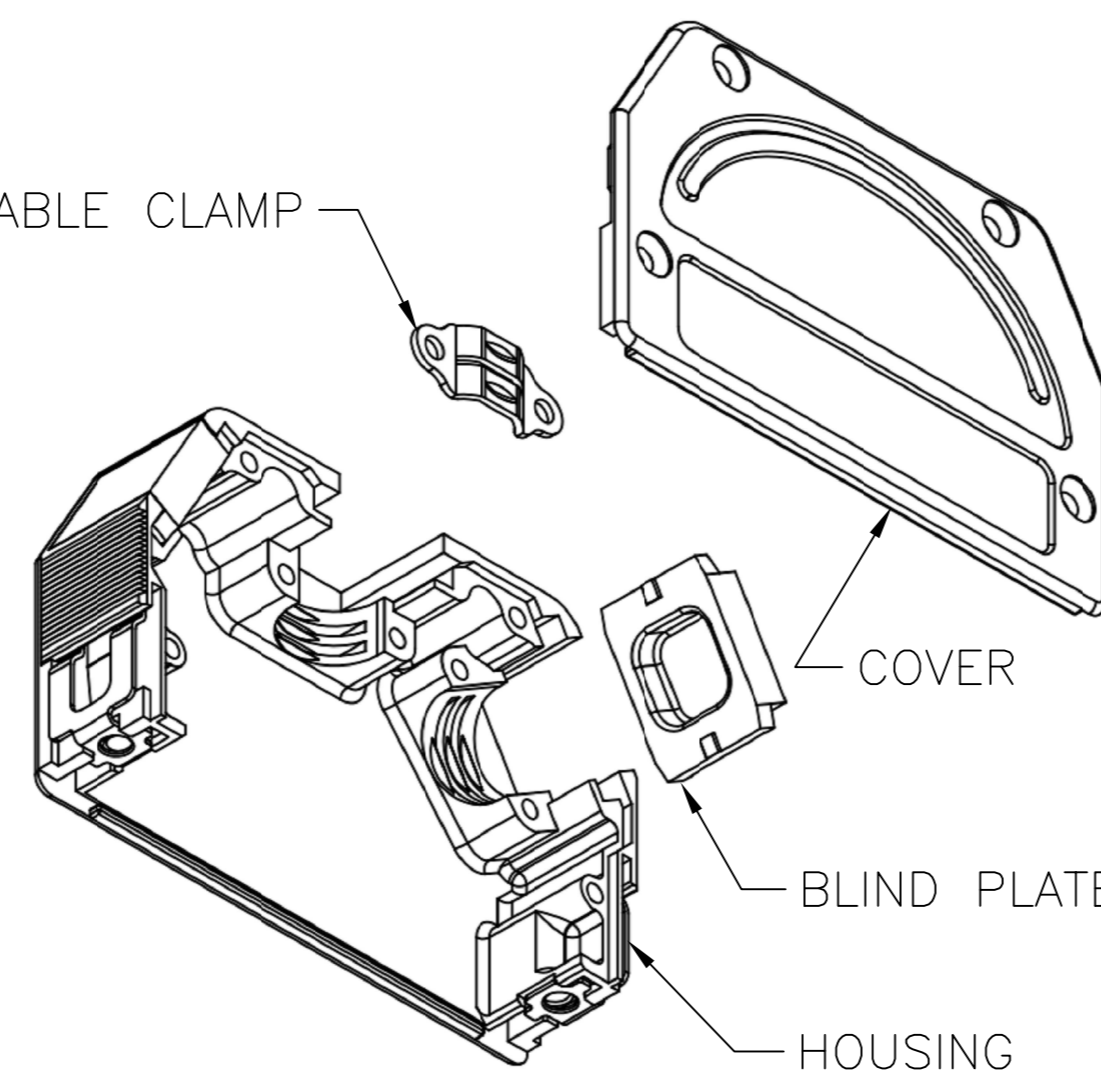
CRIMP BARREL



CABLE CLAMP



HOUSING OPEN



COVER

BLIND PLATE

HOUSING

NOTES:

- 1-2308338-1 = WITH 1 CABLE CLAMP.
1-2308338-2 = WITH 2 CABLE CLAMP.
- TEMPERATURE: -40°C TO 90°C.
- CABLE DIAMETER: Dk=6-13 mm (FOR Dk=6-9 mm TURN CABLE CLAMP).
- WEIGHT: 105 g.

- * CRIMP FLANGE PN *-2308348-* TO BE ORDERED SEPARATELY.
- * CRIMP BARREL TO BE USED IN COMBINATION WITH THE FLANGE PN *-2308350-* TO BE ORDERED SEPARATELY.
- * CABLE CLAMP SCREW VERSION PN *-2308272-* TO BE ORDERED SEPARATELY.

QTY	QTY	DESCRIPTION (MATERIAL, FINISH)
1	1	SCREW M2.5x5 (CASE HARDENING STEEL, ZINC-PLATED)
4	4	SCREW M2.5x6.5 (CASE HARDENING STEEL, ZINC-PLATED)
2	4	SCREW M2.5x6 (CASE HARDENING STEEL, ZINC-PLATED)
1	2	CABLE CLAMP (BAND STEEL, ZINC-PLATED)
2	2	CATCH SPRING (STAINLESS STEEL, RAW)
2	1	BLIND PLATE (ZINC ALLOY, RAW)
1	1	COVER (ZINC ALLOY, RAW)
1	1	HOUSING (ZINC ALLOY, RAW)
X=1 (1-2308338-1)	X=2 (1-2308338-2)	

THIS DRAWING IS A CONTROLLED DOCUMENT.

DWN	KIRAN K	02AUG2016
CHK	GUNASEKHAR G	02AUG2016
APVD	GUNASEKHAR G	02AUG2016

TE Connectivity

NAME: QL-FULL METAL HOODS SIZE 5

SIZE: A2 | CAGE CODE: 00779 | DRAWING NO: 2308338 | RESTRICTED TO: -

CUSTOMER DRAWING | SCALE: NTS | SHEET: 1 of 1 | REV: A2