

PLEASE CHECK WWW.MOLEX.COM FOR LATEST PART INFORMATION

Part Number: [51115-1601](#)
Status: **Active**
Description: 4.00mm Pitch OBDII Wire-to-Wire Receptacle Housing Panel Mount

Documents:

[3D Model](#) [Application Specification AS-51115-001 \(PDF\)](#)
[Drawing \(PDF\)](#) [RoHS Certificate of Compliance \(PDF\)](#)
[Product Specification PS-51115-001 \(PDF\)](#)

General

Product Family	Crimp Housings
Series	51115
Application	Power, Wire-to-Wire
Product Name	OBD-II

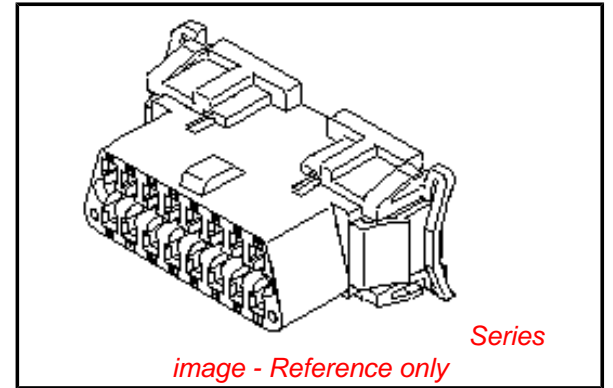
Physical

Circuits (maximum)	16
Color - Resin	Black
Gender	Receptacle
Glow-Wire Compliant	No
Material - Resin	Polyester
Number of Rows	2
Packaging Type	Tray
Panel Mount	Yes
Pitch - Mating Interface	4.00mm
Stackable	No
Temperature Range - Operating	-40°C to +85°C

Material Info

Reference - Drawing Numbers

Application Specification	AS-51115-001
Product Specification	PS-51115-001
Sales Drawing	SD-51115-**0*



EU RoHS

**ELV and RoHS
Compliant**
**REACH SVHC
Contains SVHC: No
Low-Halogen Status
Not Low-Halogen**

China RoHS



**Need more information on product
environmental compliance?**

Email productcompliance@molex.com
For a multiple part number RoHS Certificate of Compliance, [click here](#)

Please visit the [Contact Us](#) section for any non-product compliance questions.

Search Parts in this Series

51115Series

Use With

50420 Terminal . 51117 Retainer