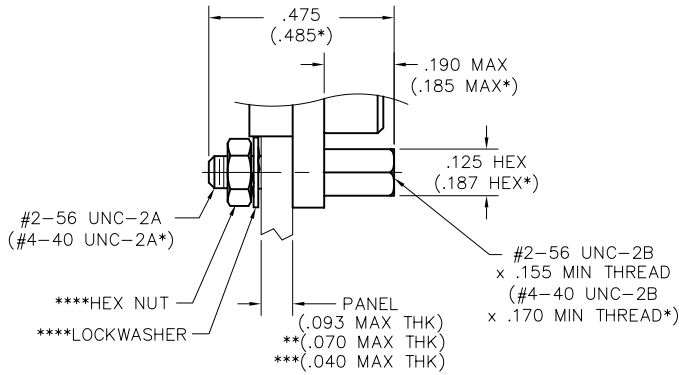


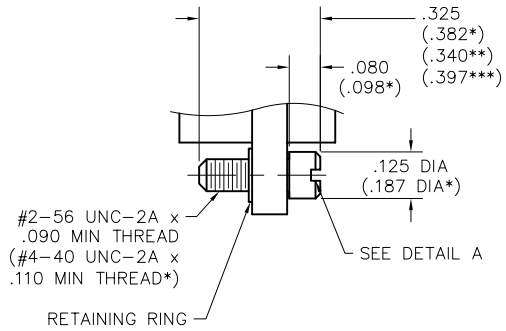
# Hardware

## MM - MN - MQ - MP - MMHT - MQHT Jacking Hardware



### JACKPOST ASSEMBLY

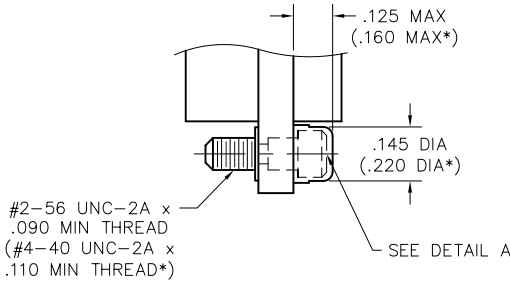
|   |                         |
|---|-------------------------|
| #2-56 JACKPOST                                | 00-000-000-000-2200     |
| #4-40 JACKPOST                                | 00-000-000-000-6200     |
| <u>FOR RECEPTACLES WITH GROUNDING FINGERS</u> |                         |
| #2-56 JACKPOST                                | 00-000-000-000-2200-0G7 |
| #4-40 JACKPOST                                | 00-000-000-000-6200-0G7 |



### SHORT TURNING

### JACKSCREW ASSEMBLY

|   |                         |
|---|-------------------------|
| #2-56 JACKSCREW, ALLEN HEAD                   | 00-000-000-000-4100     |
| #2-56 JACKSCREW, SLOT HEAD                    | 00-000-000-000-4300     |
| #4-40 JACKSCREW, ALLEN HEAD                   | 00-000-000-000-8100     |
| #4-40 JACKSCREW, SLOT HEAD                    | 00-000-000-000-8300     |
| <u>FOR RECEPTACLES WITH GROUNDING FINGERS</u> |                         |
| #2-56 JACKSCREW, ALLEN HEAD                   | 00-000-000-000-4100-0G7 |
| #2-56 JACKSCREW, SLOT HEAD                    | 00-000-000-000-4300-0G7 |
| #4-40 JACKSCREW, ALLEN HEAD                   | 00-000-000-000-8100-0G7 |
| #4-40 JACKSCREW, SLOT HEAD                    | 00-000-000-000-8300-0G7 |



### SHORT CAPTIVE JACKSCREW ASSEMBLY

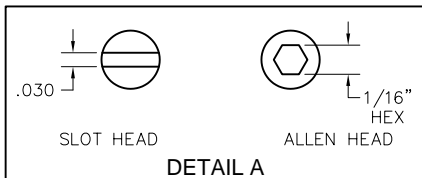
JACKSCREW, ALLEN HEAD  
FACTORY INSTALLED ONLY



### LONG TURNING

### JACKSCREW ASSEMBLY

|   |                         |
|---|-------------------------|
| #2-56 JACKSCREW, ALLEN HEAD                   | 00-000-000-000-4200     |
| #2-56 JACKSCREW, SLOT HEAD                    | 00-000-000-000-4400     |
| #4-40 JACKSCREW, ALLEN HEAD                   | 00-000-000-000-8200     |
| #4-40 JACKSCREW, SLOT HEAD                    | 00-000-000-000-8400     |
| <u>FOR RECEPTACLES WITH GROUNDING FINGERS</u> |                         |
| #2-56 JACKSCREW, ALLEN HEAD                   | 00-000-000-000-4200-0G7 |
| #2-56 JACKSCREW, SLOT HEAD                    | 00-000-000-000-4400-0G7 |
| #4-40 JACKSCREW, ALLEN HEAD                   | 00-000-000-000-8200-0G7 |
| #4-40 JACKSCREW, SLOT HEAD                    | 00-000-000-000-8400-0G7 |



- \* = Dimensions for 100 position connectors
- \*\* = Applies to #2-56 hardware for receptacles with grounding fingers
- \*\*\* = Applies to #4-40 hardware for receptacles with grounding fingers
- \*\*\*\* = Hardware for Receptacles with Grounding Fingers will come with a flat washers, lockwashers, and spanner nuts