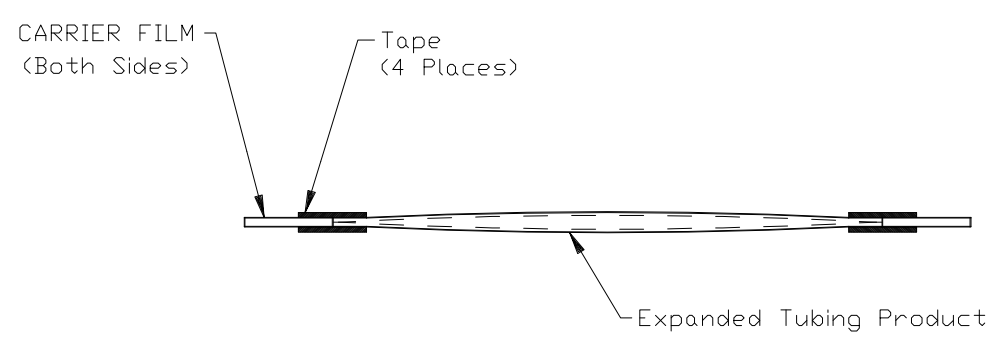
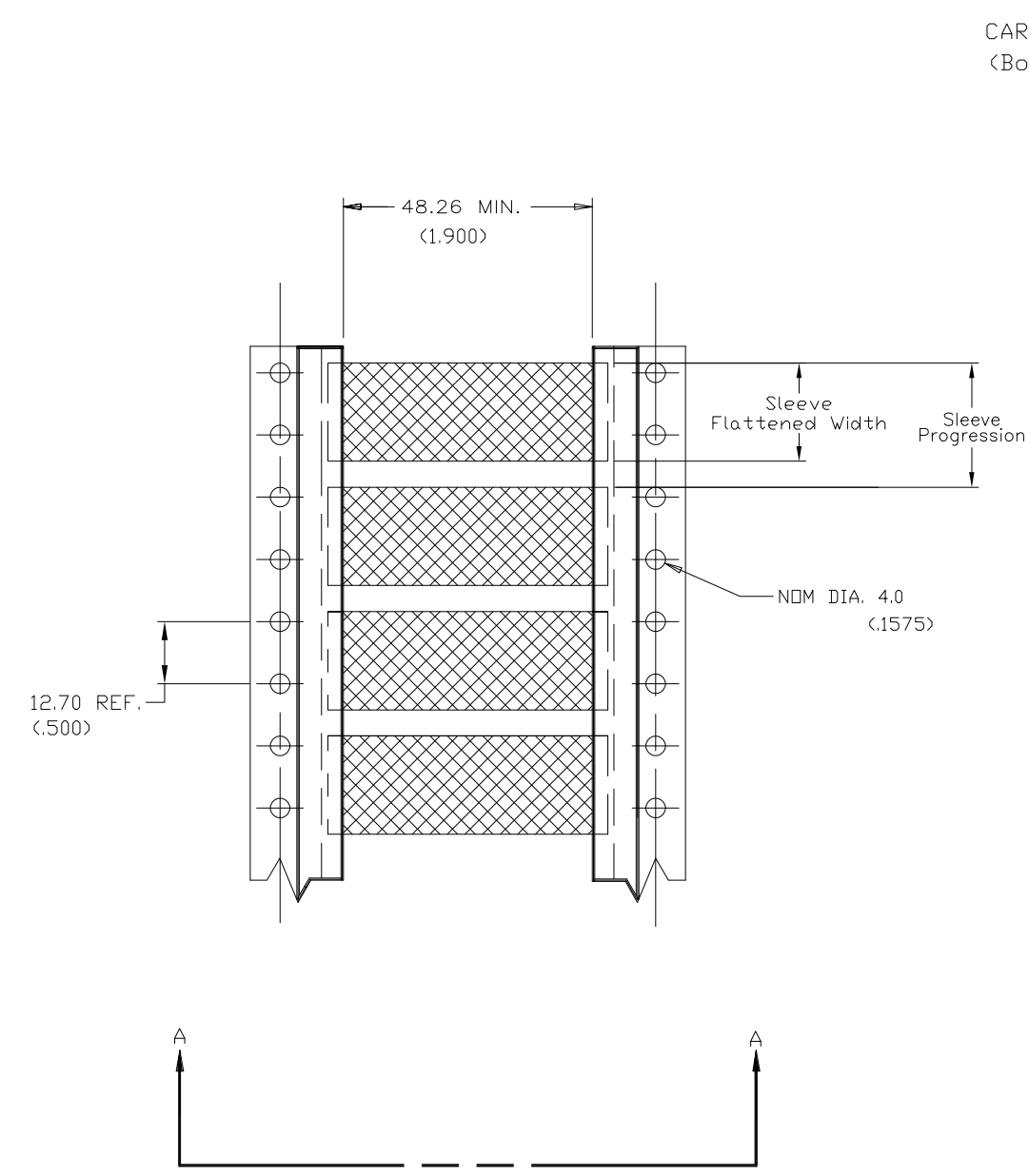


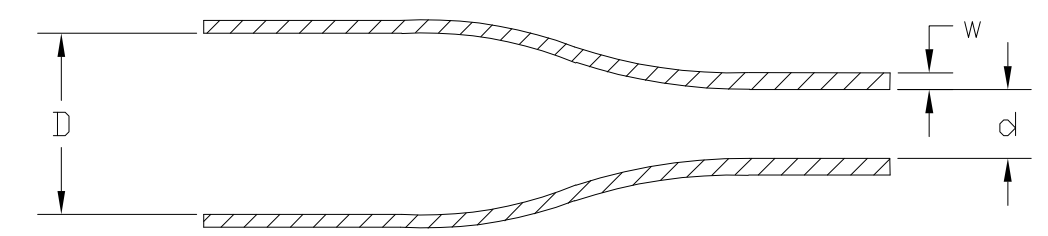
THIS DRAWING IS UNPUBLISHED. RELEASED FOR PUBLICATION
 © COPYRIGHT - By - ALL RIGHTS RESERVED.

| LOC | DIST | REVISIONS | | | |
|-----|------|---------------------------|-----------|-----|------|
| P | LTR | DESCRIPTION | DATE | DWN | APVD |
| | F | UPDATE REF. ECR-14-013419 | 16FEB2015 | AFK | SR |



| Product Size | 3/32 | 1/8 | 3/16 | 1/4 | 3/8 | 1/2 | 3/4 | 1 | 1-1/2 | 2 | 2-1/4 |
|---------------------------------|--------------|--------------|--------------|--------------|---------------|---------------|---------------|--------------|--------------|---------------|---------------|
| Minimum Sleeve Flattened Width | 4.32 (.170) | 5.84 (.230) | 8.00 (.315) | 10.7 (.420) | 15.5 (.610) | 20.4 (.803) | 30.5 (1.200) | 40.4 (1.590) | 60.3 (2.37) | 80.0 (3.15) | 88.9 (3.50) |
| Nominal Sleeve Progression | 12.70 (.500) | 12.70 (.500) | 12.70 (.500) | 16.94 (.667) | 25.40 (1.000) | 29.64 (1.167) | 42.34 (1.667) | 50.80 (2.00) | 71.96 (2.83) | 101.60 (4.00) | 101.60 (4.00) |
| "D" Minimum Supplied I.D. | 2.36 (.093) | 3.18 (.125) | 4.75 (.187) | 6.35 (.250) | 9.53 (.375) | 12.70 (.500) | 19.05 (.750) | 25.40 (1.00) | 38.10 (1.50) | 50.80 (2.00) | 57.15 (2.25) |
| "d" Maximum Recovered I.D. | 0.79 (.031) | 1.07 (.042) | 1.57 (.062) | 2.11 (.083) | 3.18 (.125) | 4.22 (.166) | 6.35 (.250) | 8.46 (.333) | 19.05 (.750) | 25.40 (1.00) | 19.05 (.750) |
| "w" Recovered wall ±0.08 (.003) | 0.58 (.023) | 0.58 (.023) | 0.58 (.023) | 0.58 (.023) | 0.61 (.024) | 0.61 (.024) | 0.61 (.024) | 0.64 (.025) | 0.51 (.020) | 0.64 (.025) | 0.76 (.030) |

DIMENSIONS IN mm (inches)



| | | | | |
|--|--|--------------------|-----------------|------------------------|
| THIS DRAWING IS A CONTROLLED DOCUMENT. | | DWN AFK 08NOV2013 | TE Connectivity | |
| DIMENSIONS: mm | | CHK - | | |
| TOLERANCES UNLESS OTHERWISE SPECIFIED: | | APVD - | NAME TMS-SCE | |
| 0 PLC ± - | | PRODUCT SPEC - | --- | |
| 1 PLC ± - | | APPLICATION SPEC - | - | |
| 2 PLC ± - | | SIZE A3 | CAGE CODE 06090 | DRAWING NO C-MCD160002 |
| 3 PLC ± - | | WEIGHT - | RESTRICTED TO - | |
| 4 PLC ± - | | CUSTOMER DRAWING | | |
| ANGLES ± - | | SCALE 1:1 | SHEET 1 OF 1 | REV F |
| FINISH - | | | | |
| MATERIAL CROSSLINKED POLYOLEFIN | | | | |