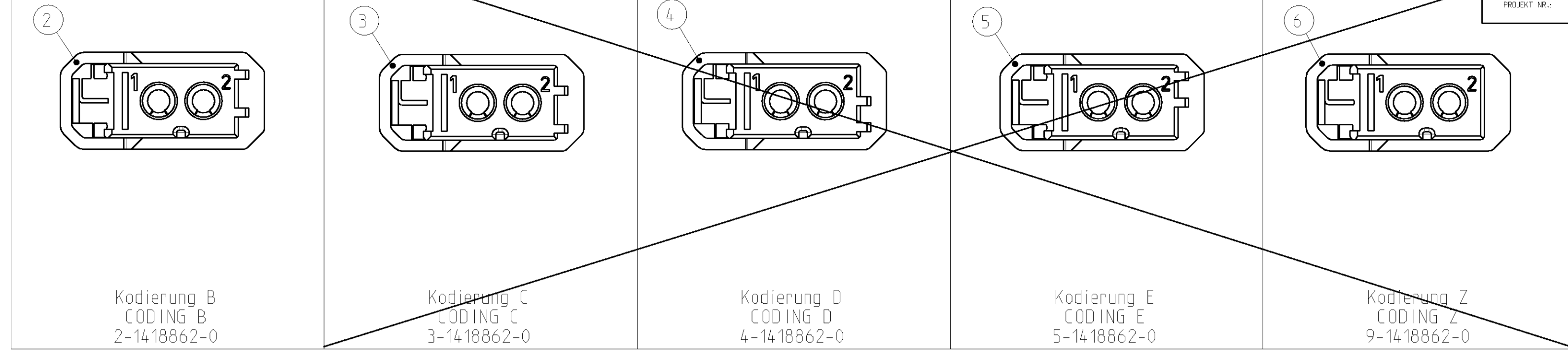


LOC	DIST	REV	DATE	DWN	APVD
A1	-	A	11FEB2003	PR	JH
		A1	22OCT2003	PR	JH
		A2	01SEP2004	PR	JH



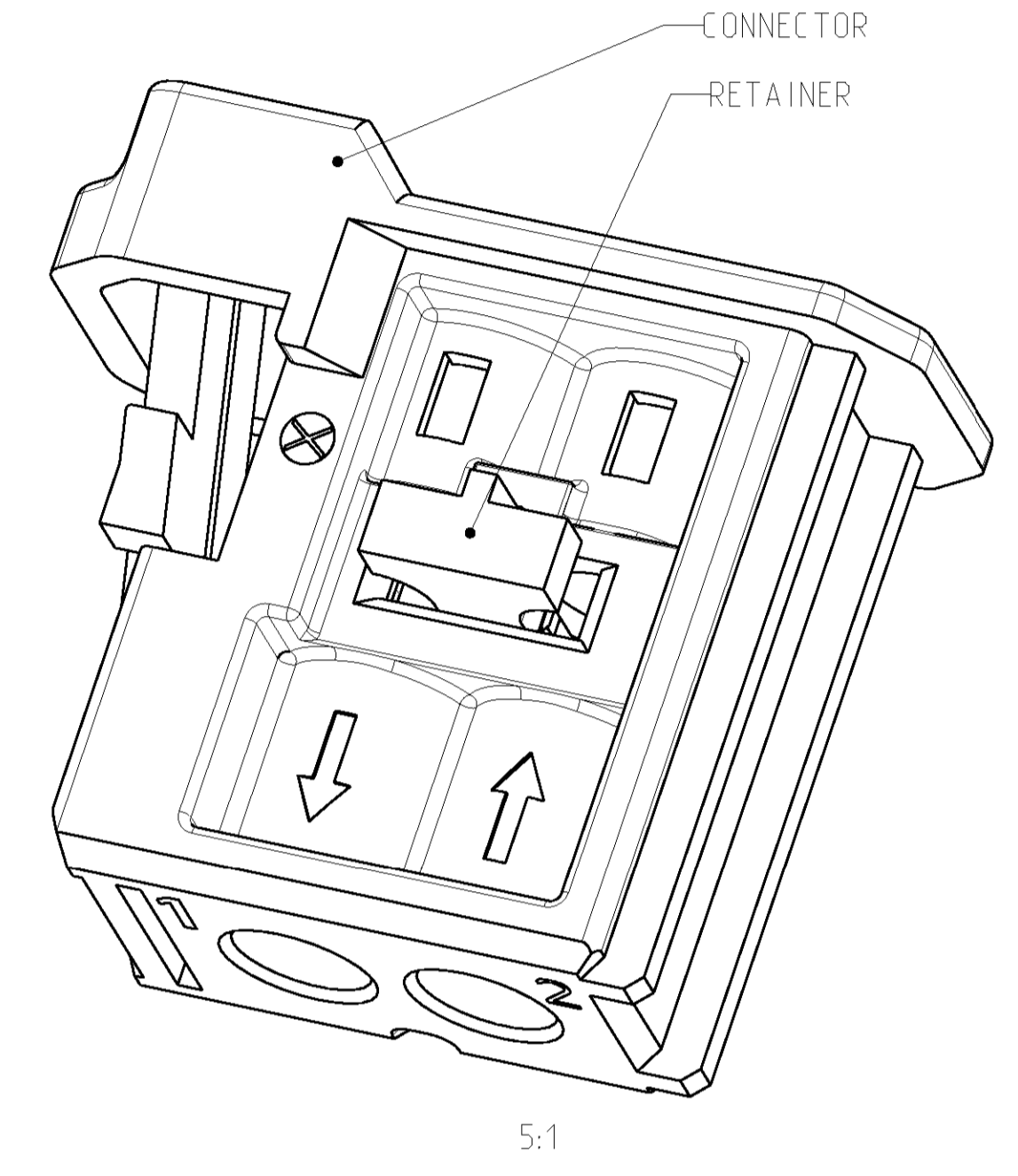
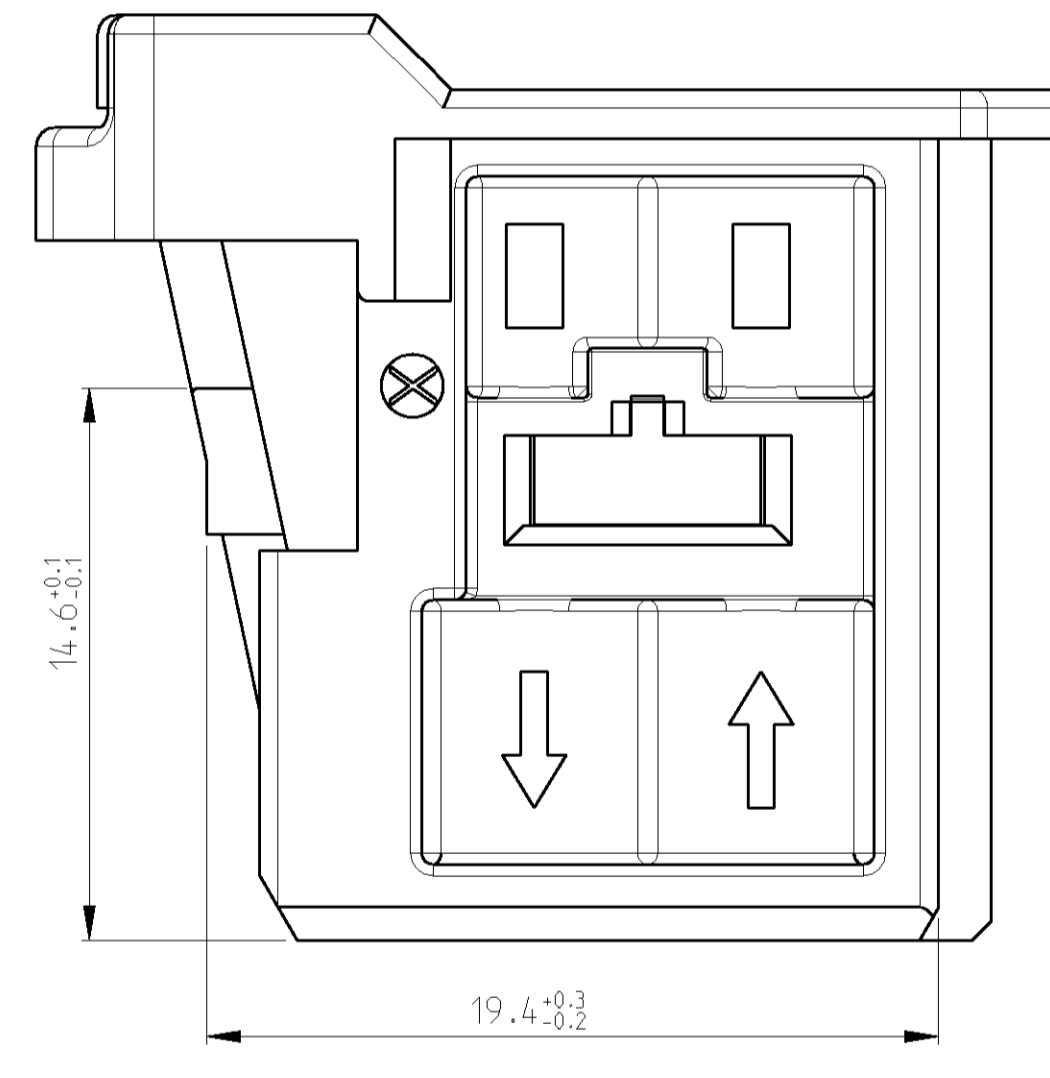
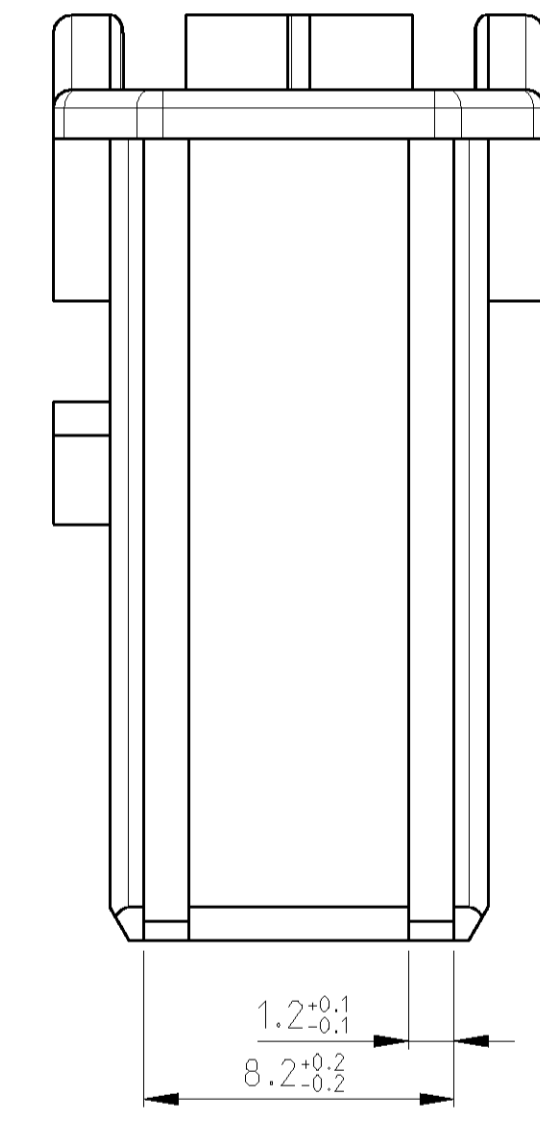
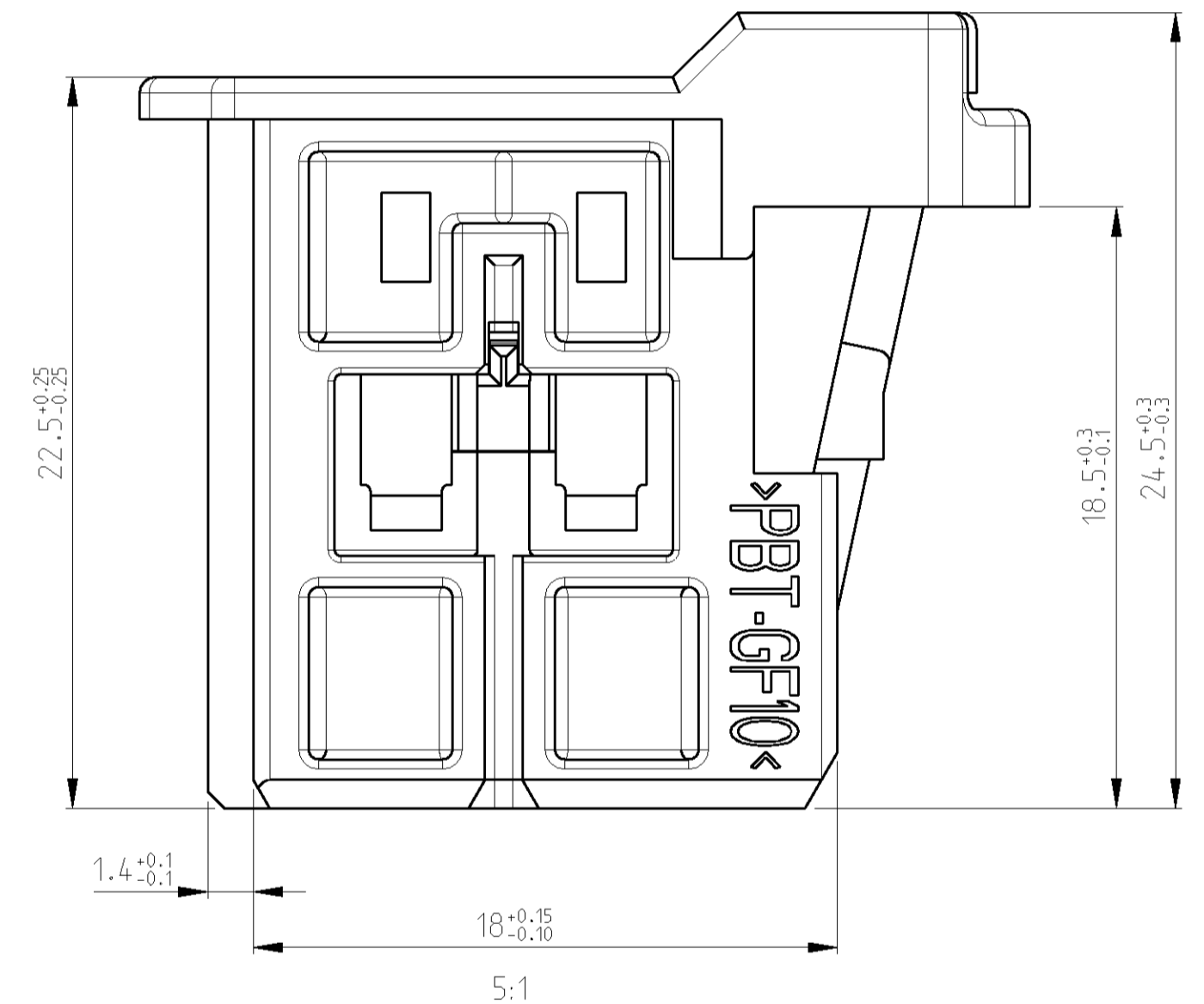
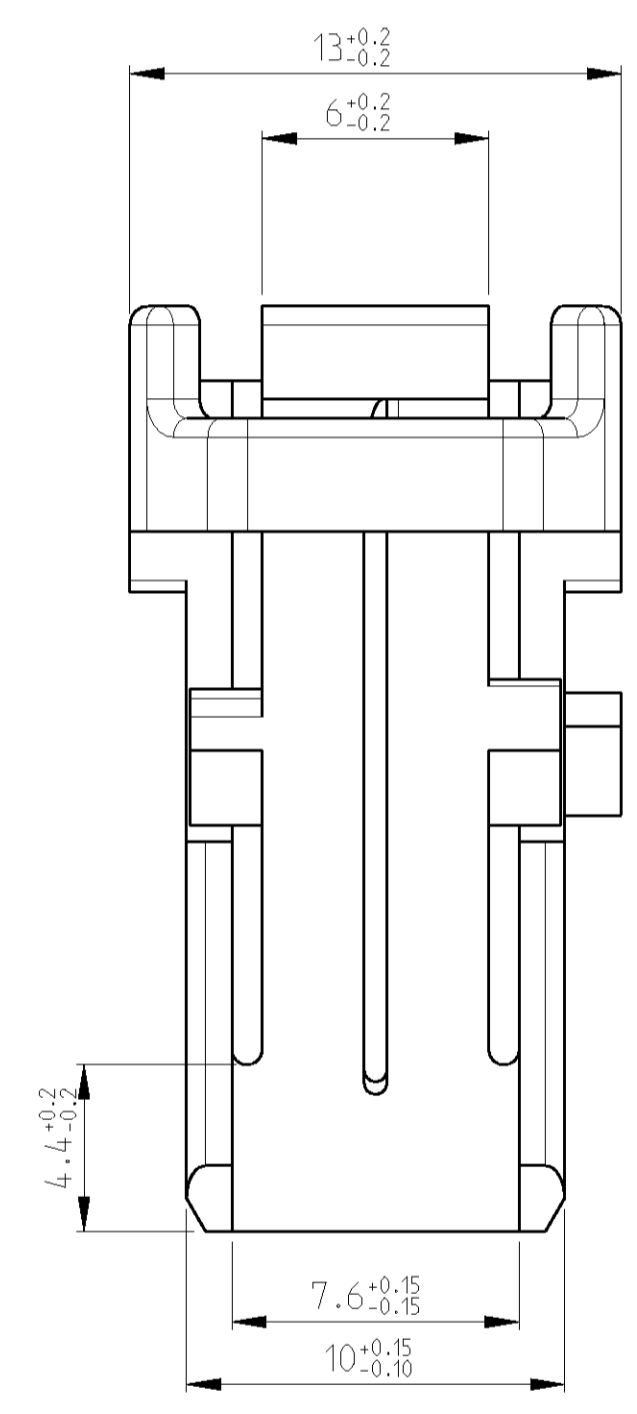
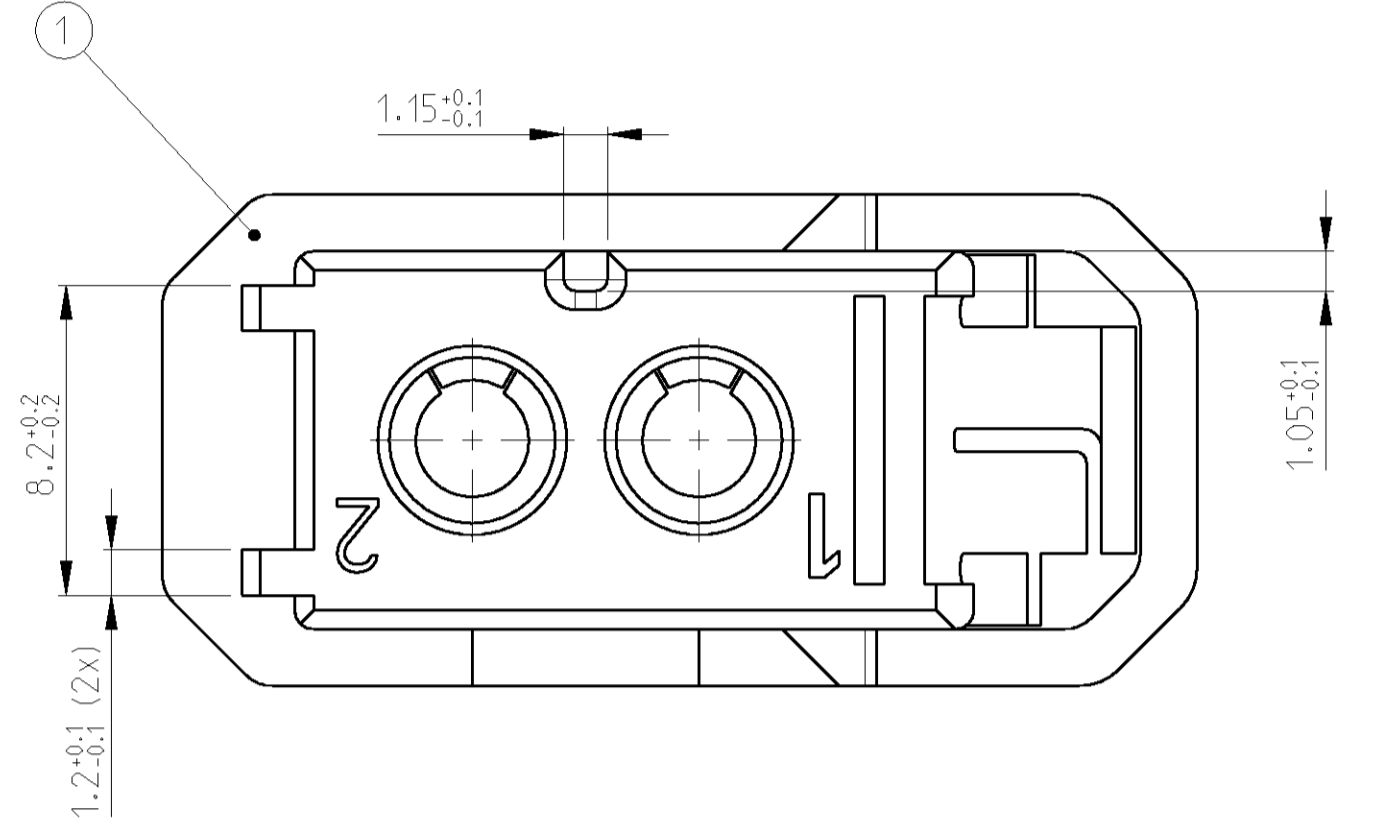
Kodierung B  
CODING B  
2-1418862-0

Kodierung C  
CODING C  
3-1418862-0

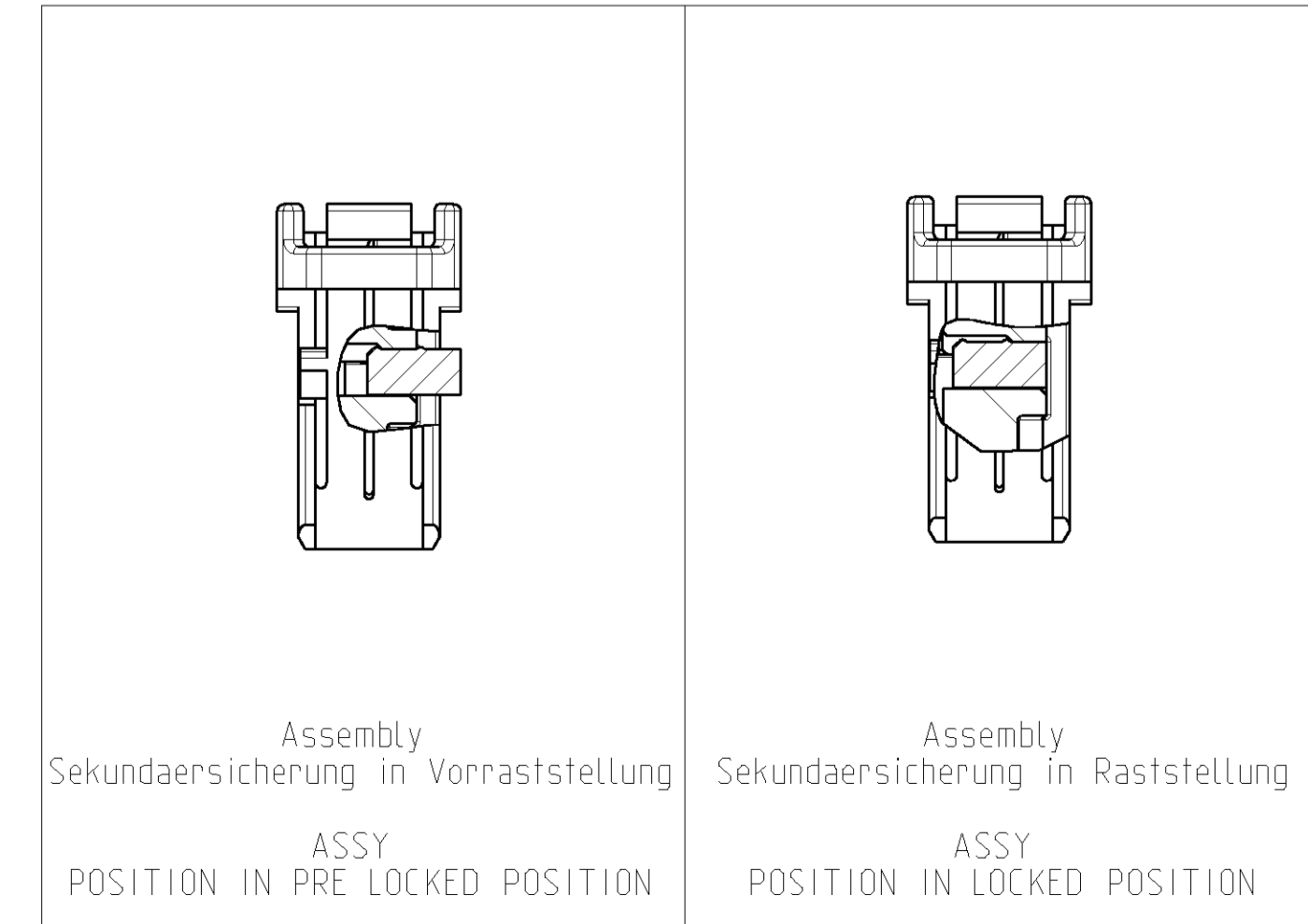
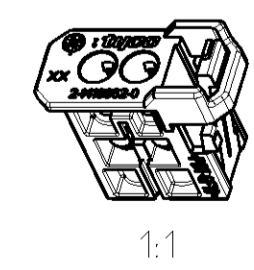
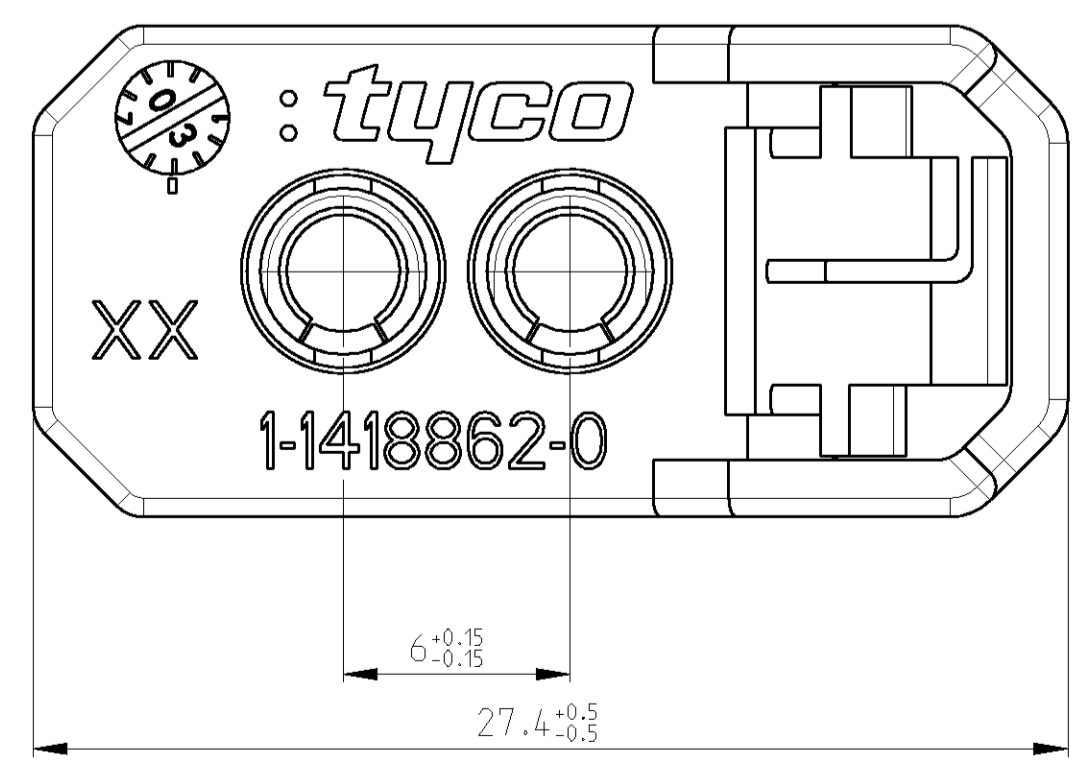
Kodierung D  
CODING D  
4-1418862-0

Kodierung E  
CODING E  
5-1418862-0

Kodierung Z  
CODING Z  
9-1418862-0



- Bemerkungen / NOTES
- Zu verwenden mit PN 1394916 Kodierung siehe Tabelle  
USED WITH PN 1394916 CODING SEE TABLE
  - Kodierung A wie gezeichnet  
CODING A AS SHOWN
  - Lieferung in Vorraststellung  
DELIVERY RETAINER IN PRE LOCKED POSITION
  - Verpackung: Schuetzgut im Karton  
PACKING: LOOSE PIECE IN CARTON
  - Massgebend ist der deutsche Text  
ONLY THE GERMAN-LANGUAGE SHALL BE BINDING
  - Passend zu Kontakt  
SUITABLE FOR CONTACT : 1534554



TYCO PART NO	REV	COD.	QTY	DESCRIPTION	COLOUR	Passend zu: SUITABLE FOR:	ITEM NO
9-1418862-0	-	Z				X-1394916-X	6
5-1418862-0	-	E				5-1394916-X	5
4-1418862-0	-	D				4-1394916-X	4
3-1418862-0	-	C				3-1394916-X	3
2-1418862-0	A	B	1	RETAINER	BLUE	2-1394916-X	2
			1	CONNECTOR	NATURE		
1-1418862-0	A	A	1	RETAINER	BLUE	1-1394916-X	1
			1	CONNECTOR	BLACK		

THIS DRAWING IS UNPUBLISHED. VERBODEN AF AFKOPPIEN EN VERBODEN TE REPRODUCEREN. COPYRIGHT 2003 BY TYCO ELECTRONICS CORPORATION. ALL RIGHTS RESERVED. ALLE RECHTEN VOORBEHOUDEN.		DWN P.Riedel 11Feb2003 CDR J.Hahn 14Feb2003	Tyco Electronics AMP GmbH D - 64625 Bensheim
DIMENSIONS: MASSENHEITEN (mm)		TOLERANCES: UNLESS OTHERWISE SPECIFIED: ALL DIMENSIONS	NAME: 2 POS FIBER HARNESS CONNECTOR 2 pol LWL Kupplung
MATERIAL: PBT GF 10		FINISH/FARBEN/FARBE:	WEIGHT: 3.25 g CUSTOMER DRAWING: /KUNDENZEICHNUNG
PRODUCT SPEC: 1 PLC, 2 PLC, 3 PLC, 4 PLC		APPLICATION SPEC: 108-18698	SCALE: 5:1 SHEET: 1 OF 1 REV: A2